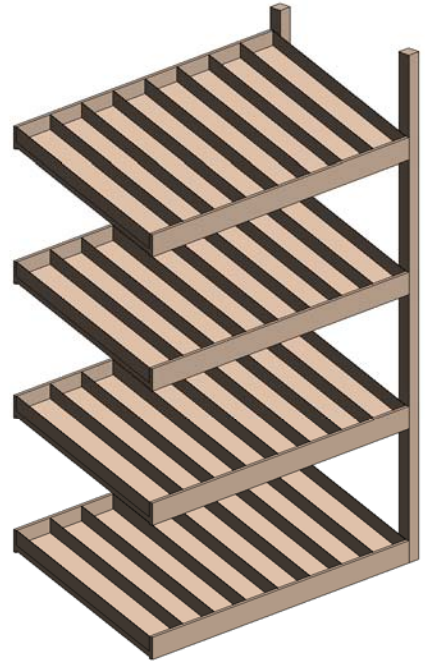
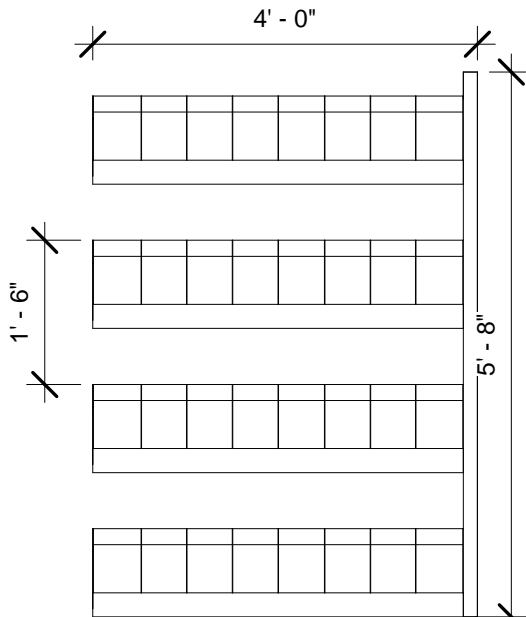


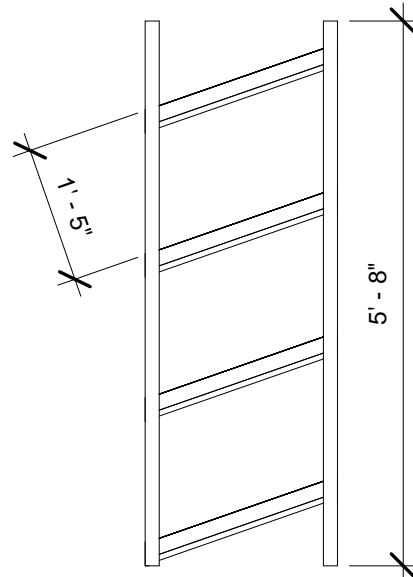
PLAN



3D PERSPECTIVE



FRONT ELEVATION



SIDE ELEVATION

Wide Span Gravity Feed Add-On



www.madixinc.com

Madix Revit
Family

Architectural View

Project number 12056-150

Date 6/19/12

Drawn by AS

Checked by ND

WS39

Scale 1/2" = 1'-0"