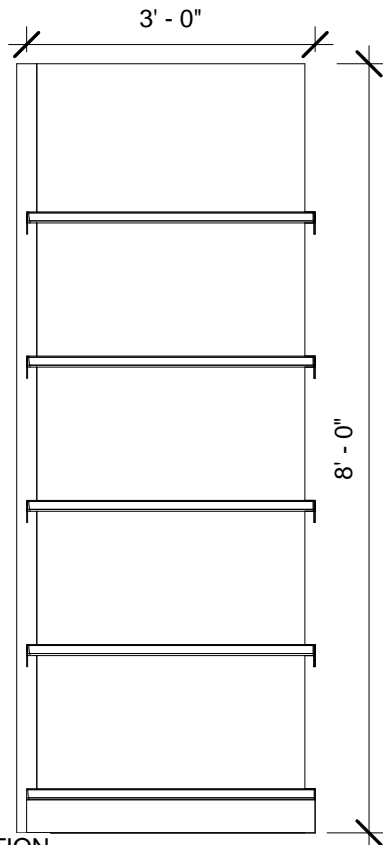
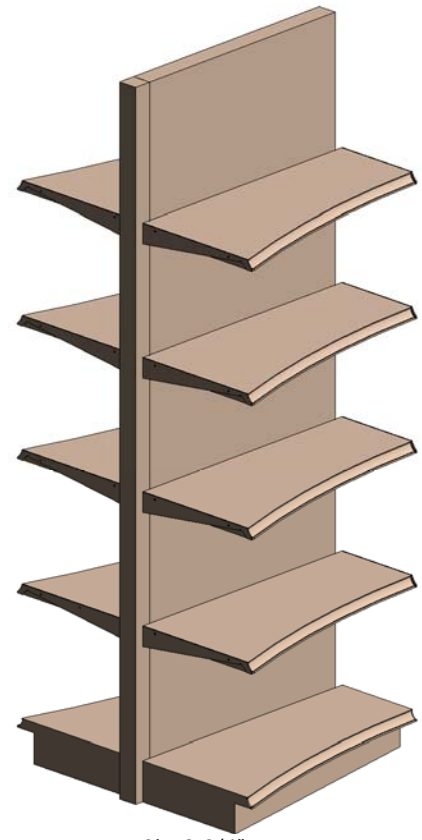


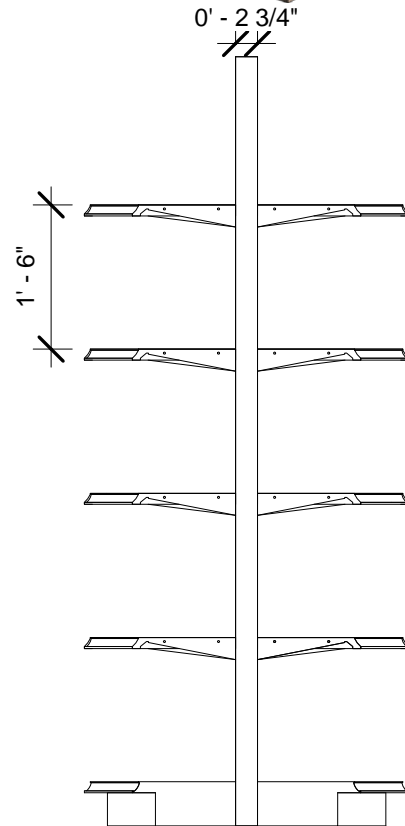
PLAN

3D PERSPECTIVE



FRONT ELEVATION

SIDE ELEVATION



Half Radius Concave Small to Big



www.madixinc.com

Madix Revit  
Family

Architectural View

Project number	12056-150
Date	6-19-12
Drawn by	AS
Checked by	ND

ML15

Scale 1/2" = 1'-0"