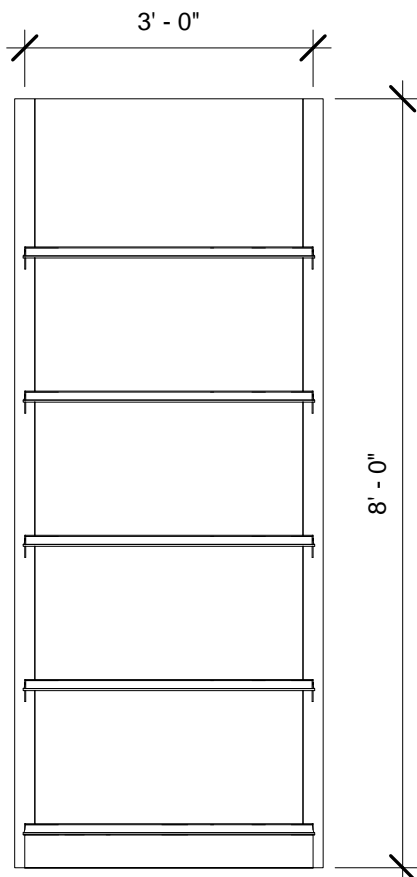
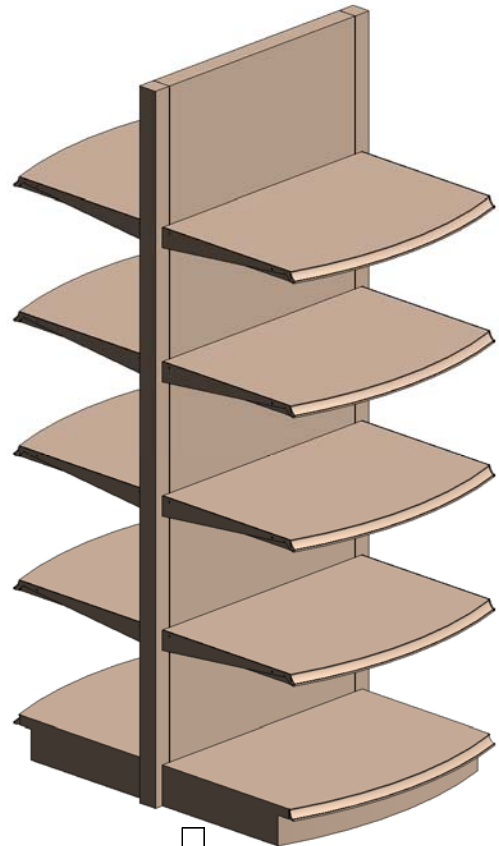


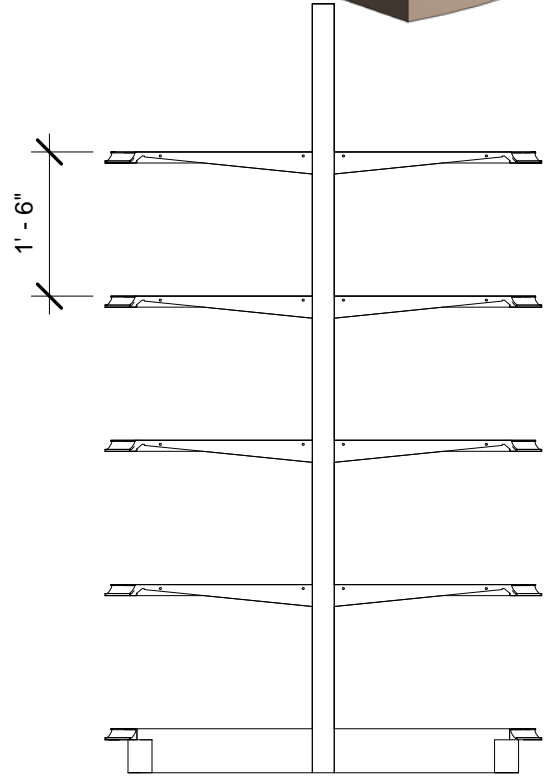
PLAN

3D PERSPECTIVE



FRONT ELEVATION

SIDE ELEVATION



Maxi Line Convex Starter

madix
INNOVATION ON DISPLAY
www.madixinc.com

Madix Revit
Family

Architectural View		ML11
Project number	12056-150	
Date	6/19/12	
Drawn by	AS	
Checked by	ND	Scale 1/2" = 1'-0"