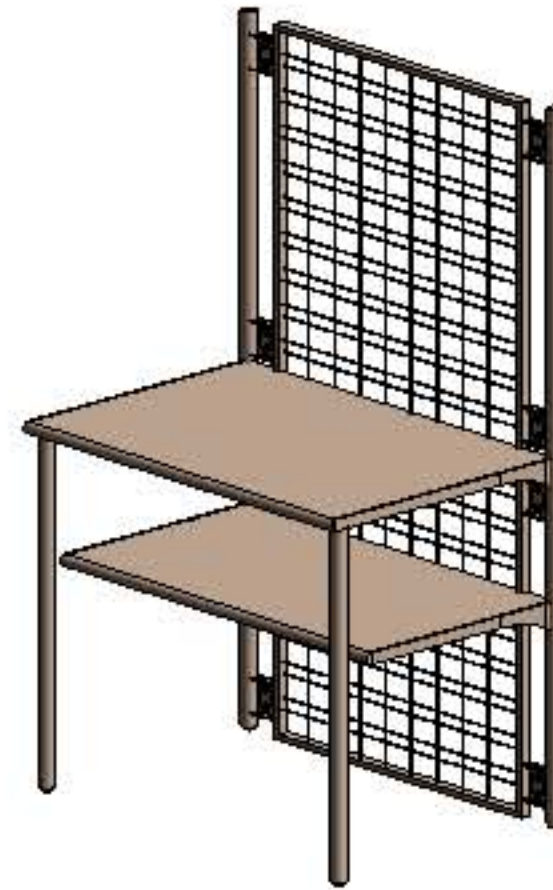
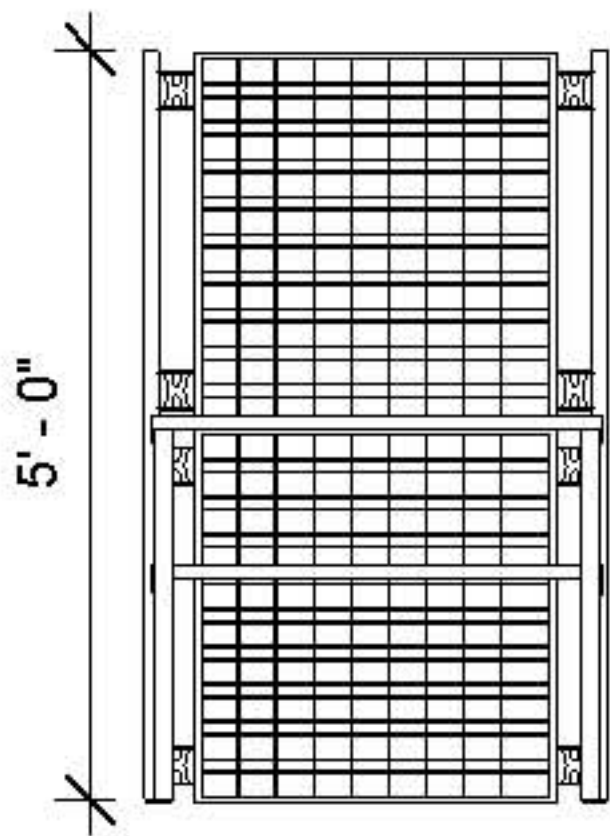


PLAN

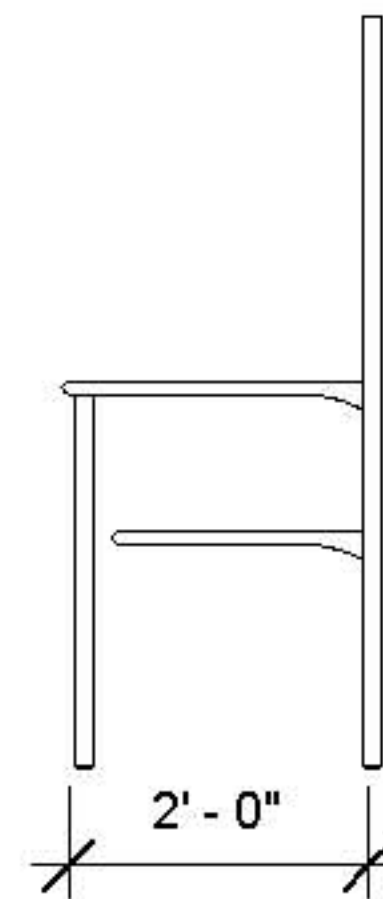


3D PERSPECTIVE

NOTE:
DEPTH & LENGTH VARIES; SEE CATALOG



FRONT ELEVATION



SIDE ELEVATION

LUXE END CAP FOCUS



www.madixinc.com

MADIX REVIT
FAMILY

ARCHITECTURAL VIEWS

Project number MADIX BLOCKS

Date 12-20-13

Drawn by EF

Checked by ND

LUXE-EC

Scale 3/8" = 1'-0"