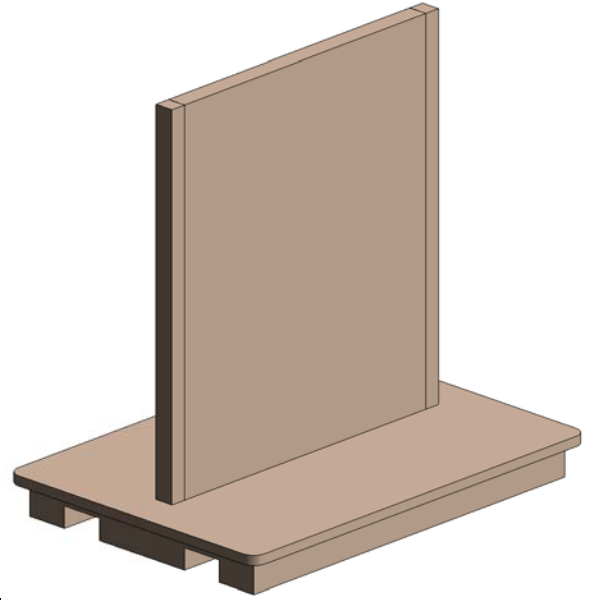
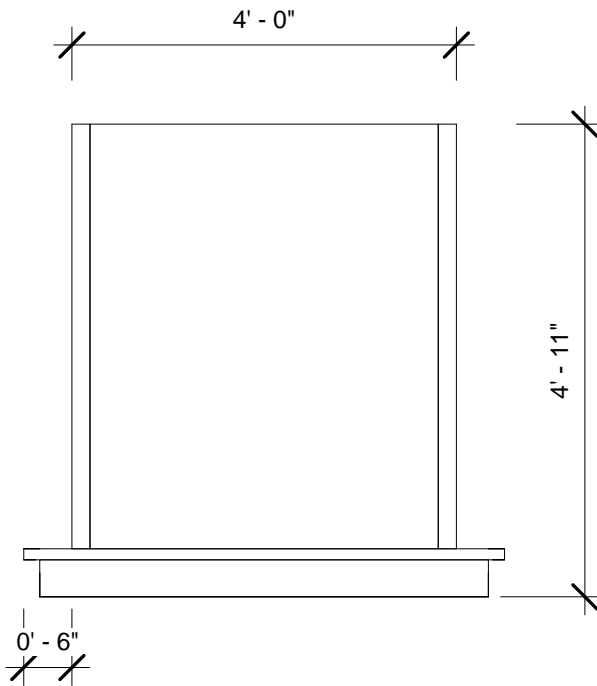


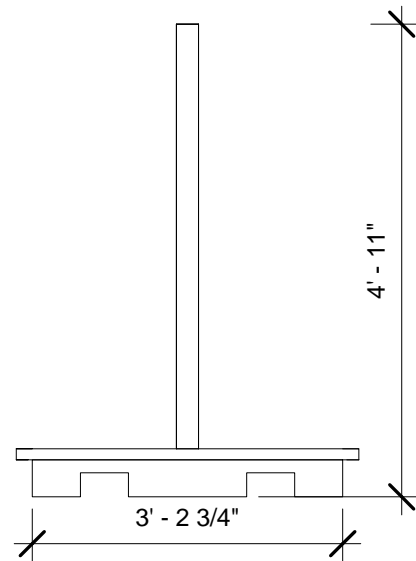
PLAN



3D PERSPECTIVE



FRONT ELEVATION



SIDE ELEVATION

Promotional Display Flat Kit



www.madixinc.com

Madix Revit
Family

Architectural View

Project number 12056-150

Date 6-26-12

Drawn by AS

Checked by ND

FK

Scale 1/2" = 1'-0"