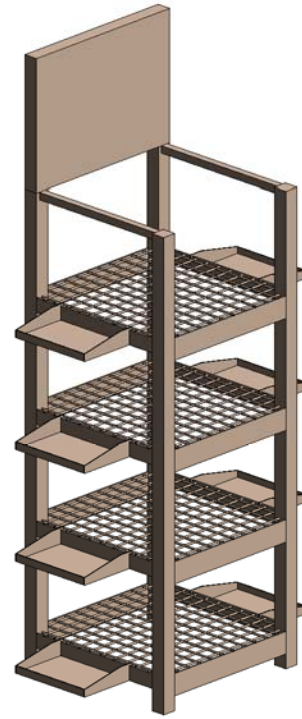
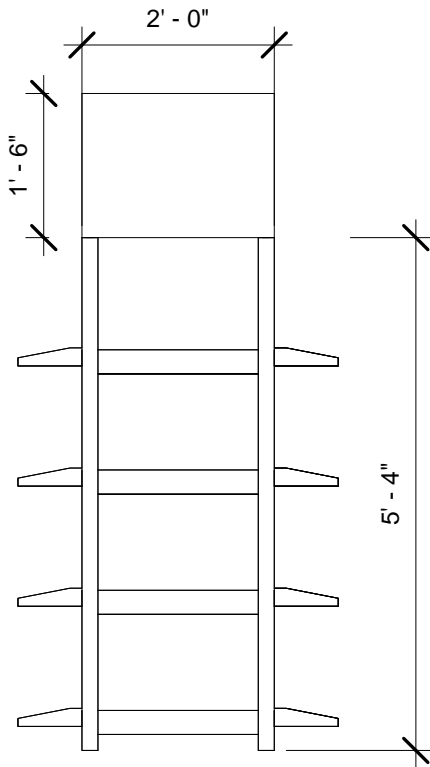


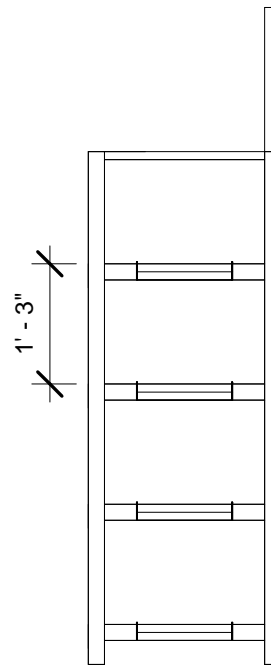
PLAN



3D PERSPECTIVE



FRONT ELEVATION



SIDE ELEVATION

Battery Rack Kit



www.madixinc.com

Madix Revit Family

Architectural View

Project number 12056-150

Date 6-27-12

Drawn by AS

Checked by ND

BR

Scale 1/2" = 1'-0"