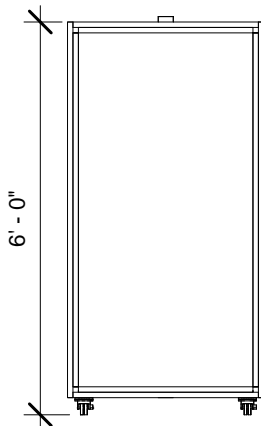


NOTE:
DEPTH & LENGTH VARIES; SEE CATALOG

PLAN

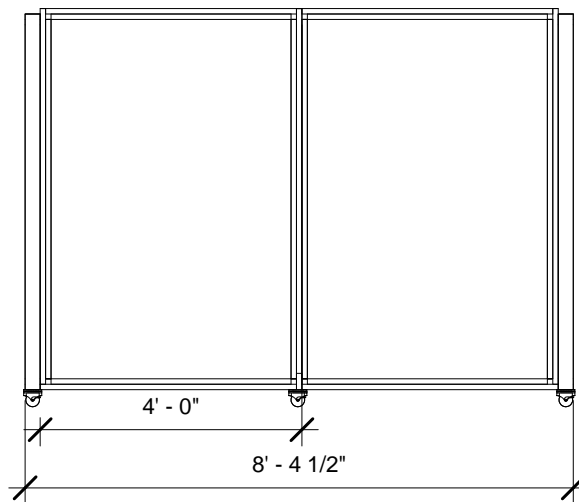


3D PERSPECTIVE



NOTE:
HEIGHT VARIES; SEE CATALOG

FRONT ELEVATION



SIDE ELEVATION

MAXI LINE SYSTEM ROLLING GONDOLA



www.madixinc.com

**MADIX REVIT
FAMILY**

ARCHITECTURAL VIEWS

Project number	MADIX BLOCKS	MAXI LINE - RG
Date	1 - 21 - 2014	
Drawn by	EF	Scale 3/8" = 1'-0"
Checked by	ND	