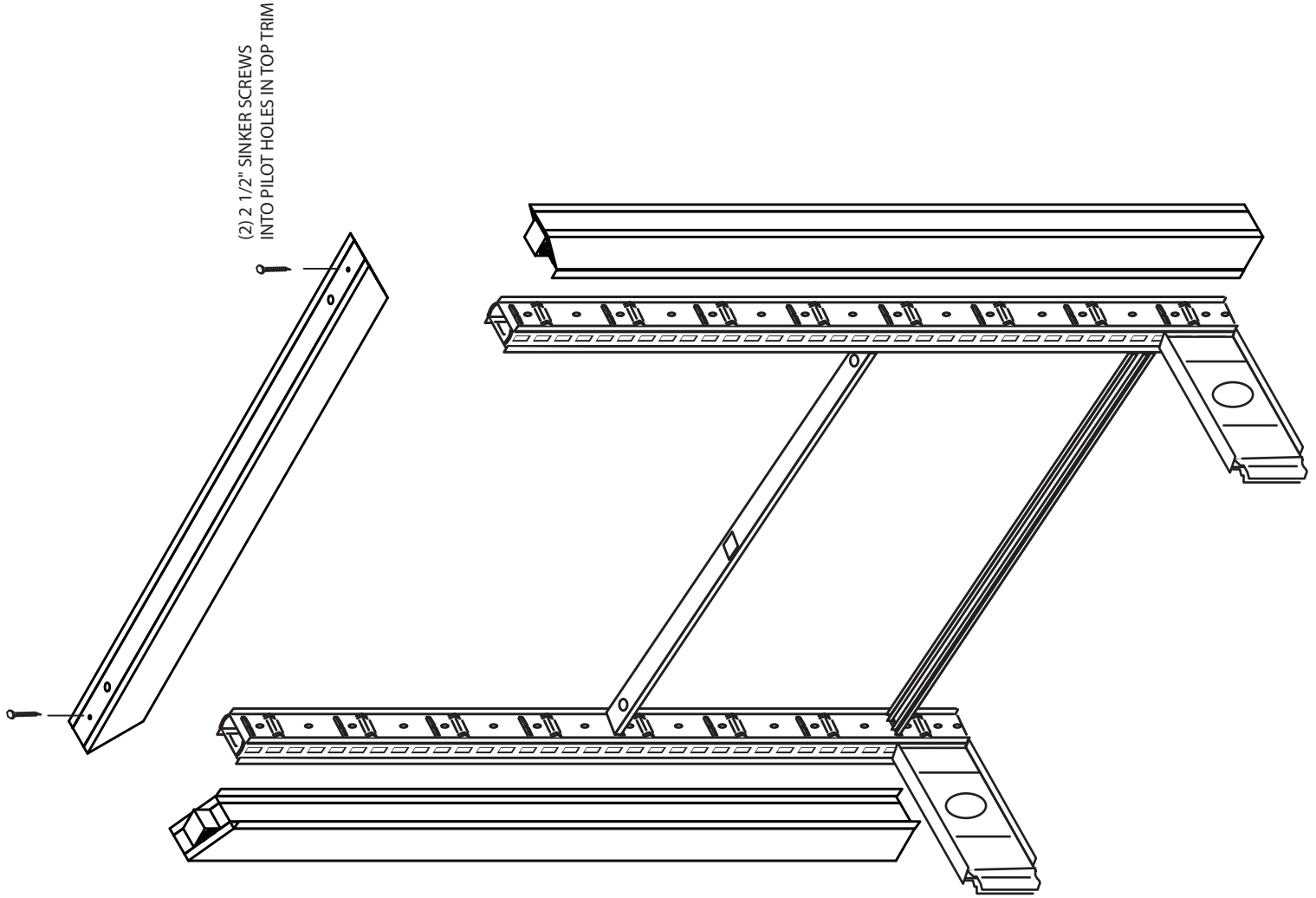


WTK - WOOD TRIM KIT

- 1) ATTACH BASE SHOES TO UPRIGHTS AS INSTRUCTED IN ASY-046.
- 2) INSTALL BOTTOM SPANNER AND CENTER SPANNER.
- 3) SUPPORT SECTION AS NEEDED.
- 4) SIDE TRIM SIMPLY SNAPS TO SIDES OF UPRIGHTS.
- 5) FIT TOP TRIM AND RUN 2 1/2" SCREWS THROUGH PILOT HOLES.



P.O. BOX 729 TERRELL, TEXAS 75160
972-563-5744 / 800-776-2349

ASY1-381 PAGE 1 of 1 REV.1
2/14/07 AJB ECN#50000002959