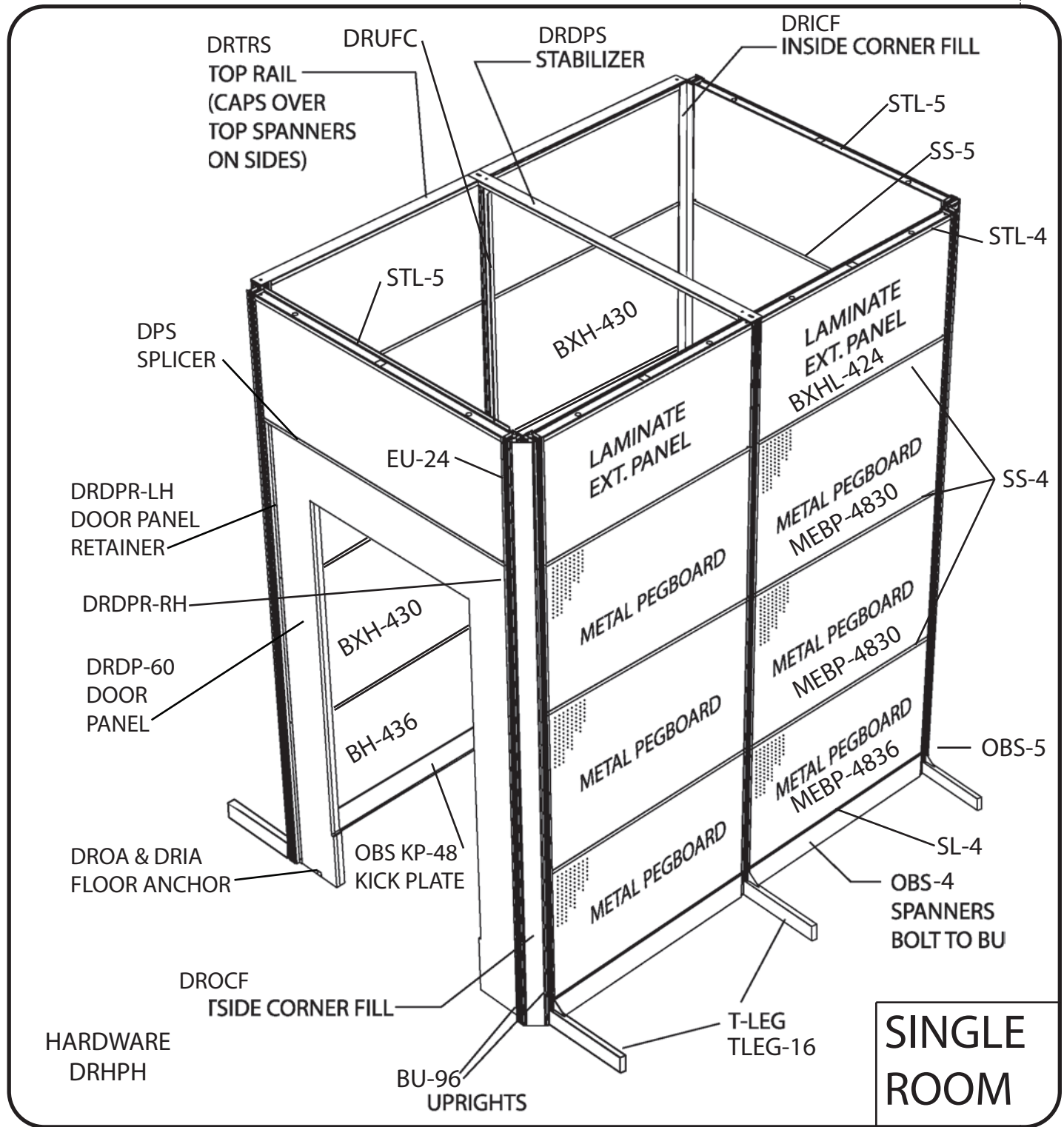


# FITTING ROOMS - SINGLE & DOUBLE

## INSTALLATION INSTRUCTIONS



**SINGLE ROOM**



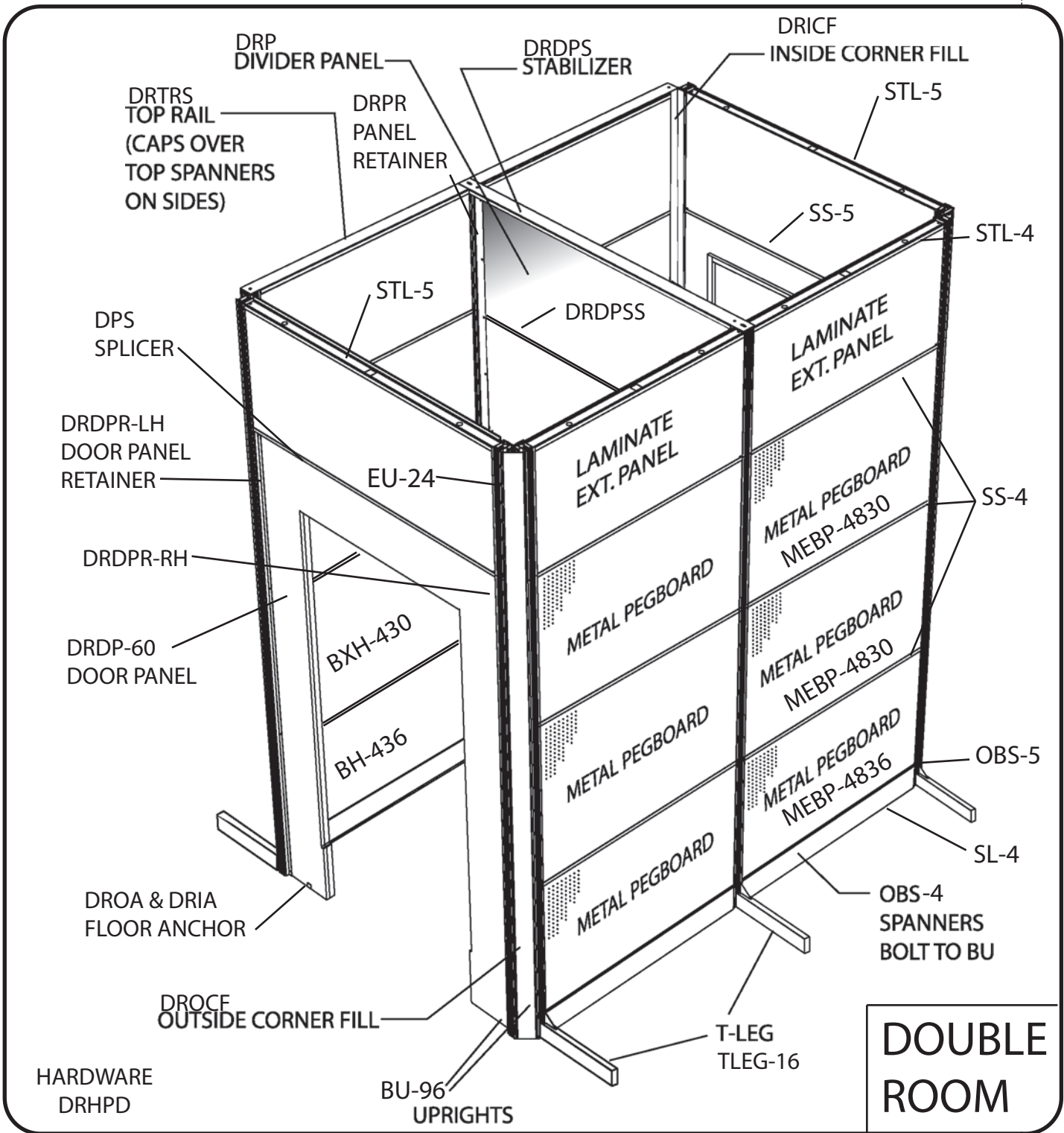
P.O. BOX 729 / TERRELL, TEXAS 75160 / 972.563.5744 / 800.776.2349  
 P.O. BOX 177 / GOODWATER, ALABAMA 35072 / 205.839.6354 / 800.633.6282

**REV 01**

REV#	ECN#	REVISION	BY	DATE	REV#	ECN#	REVISION	BY	DATE
01	AL3986 5*3816	ADDED PART CODES TO THE ASY	AJB CAB	8/18/05 08/21/07					

# FITTING ROOMS - SINGLE & DOUBLE

## INSTALLATION INSTRUCTIONS



**DOUBLE ROOM**

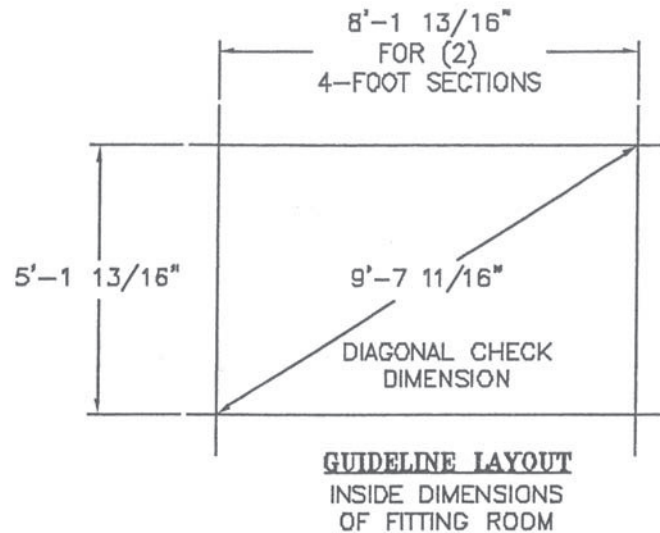


# FITTING ROOMS - SINGLE & DOUBLE

## INSTALLATION INSTRUCTIONS

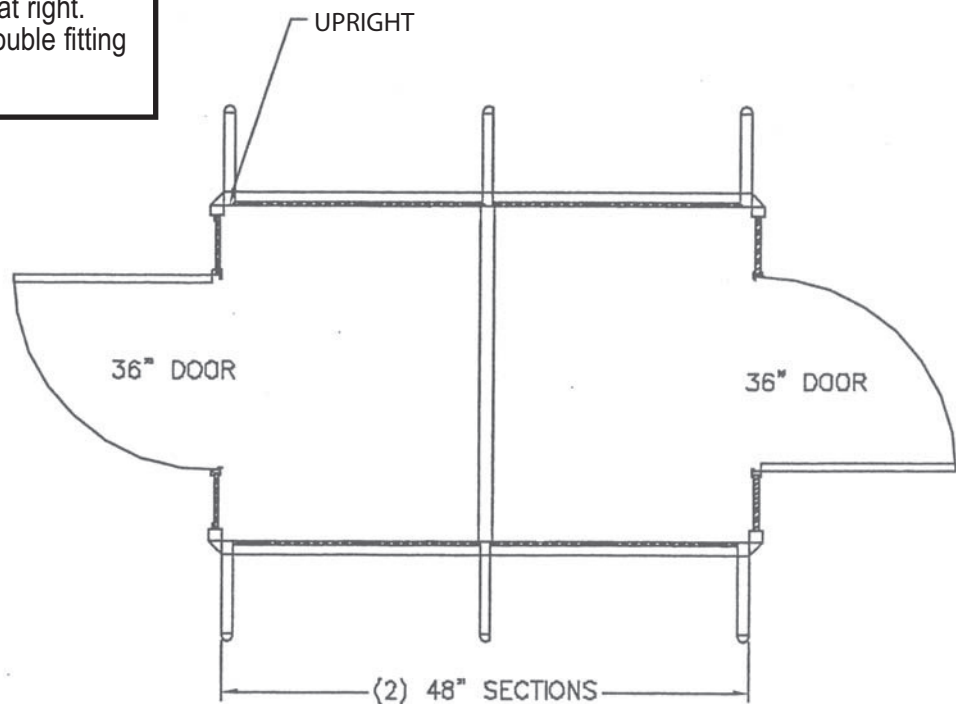
1

Lay out accurate chalklines on the floor for location of uprights as shown at right. Single fitting room and double fitting room use same dimensions.



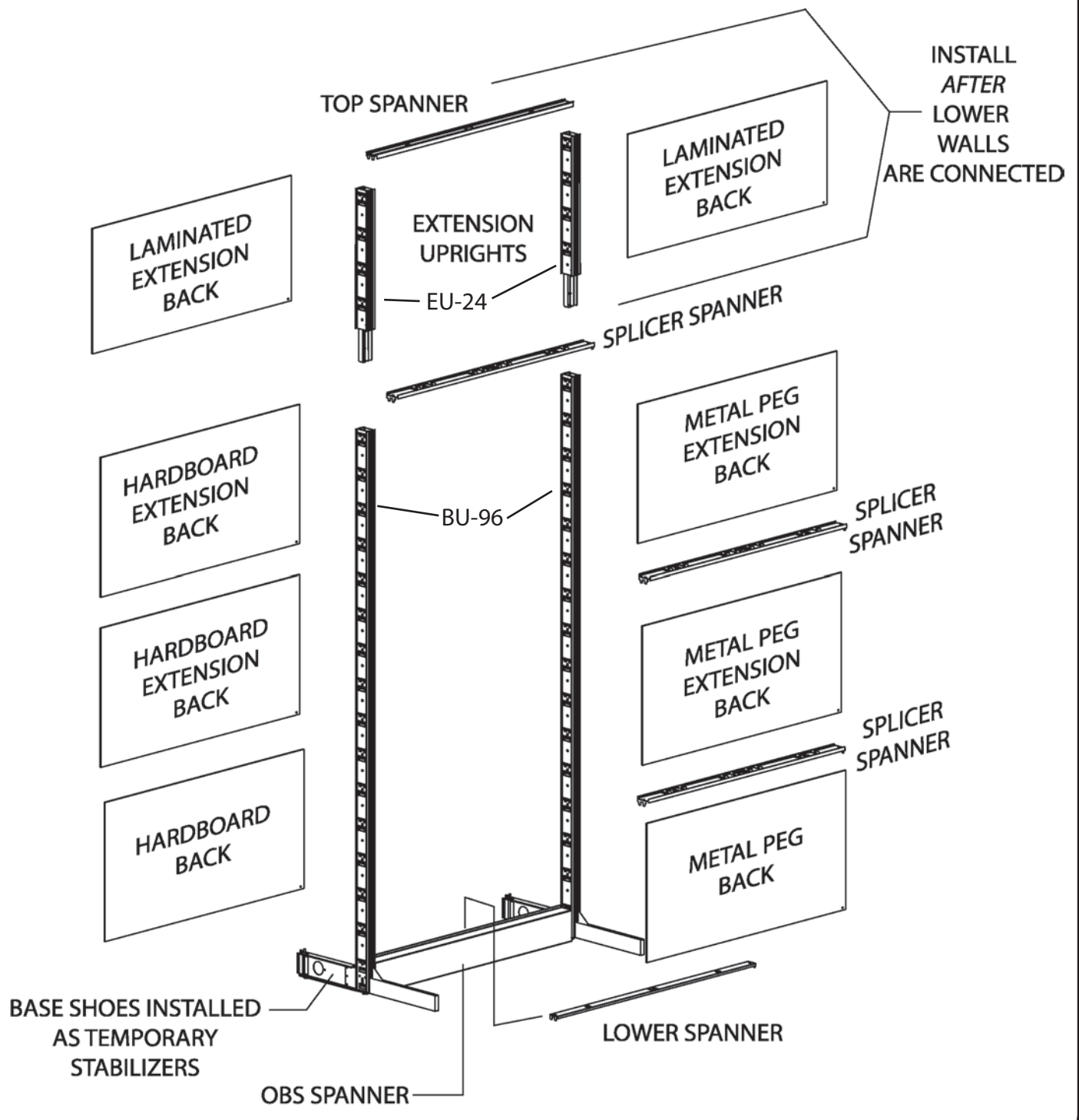
2

Build perimeter walls as shown at right. Note location of TLEG shoes. Double fitting room is shown.



3

Side wall sections for both single & double fitting rooms use same components. Metal panels go to outside. Silver laminate goes to outside for extension panels.



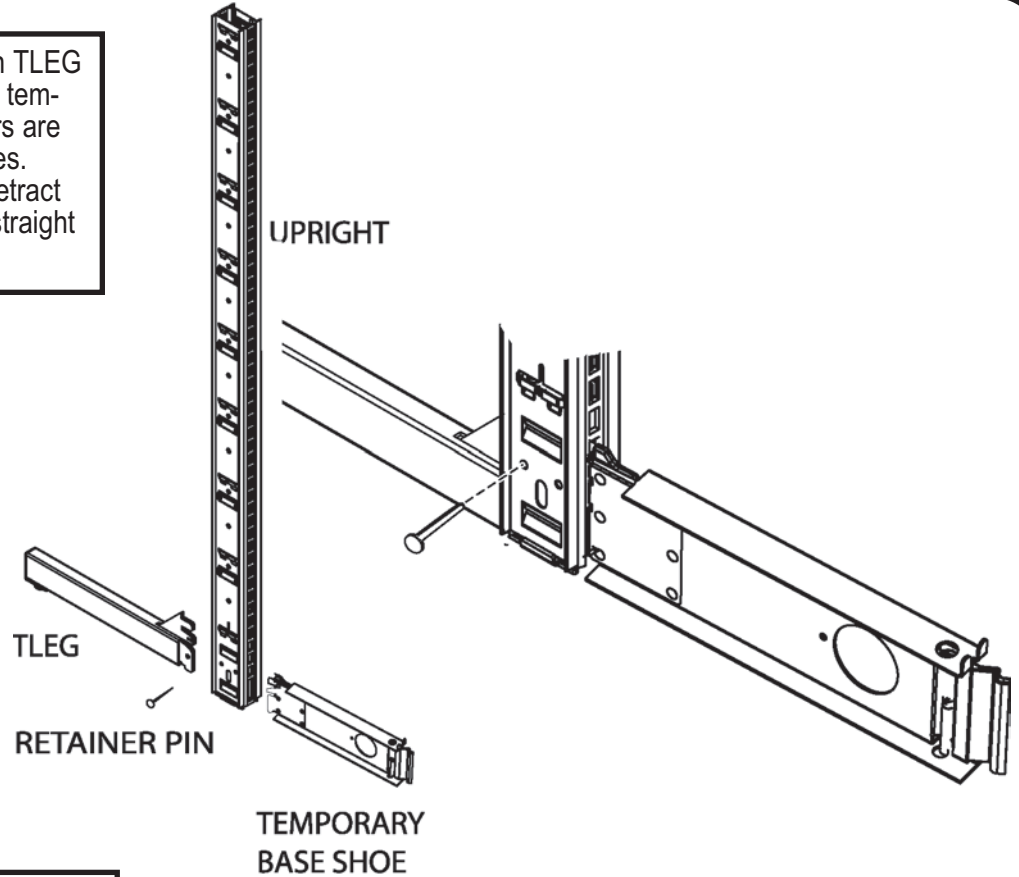
# FITTING ROOMS - SINGLE & DOUBLE

ASY1-300

INSTALLATION INSTRUCTIONS

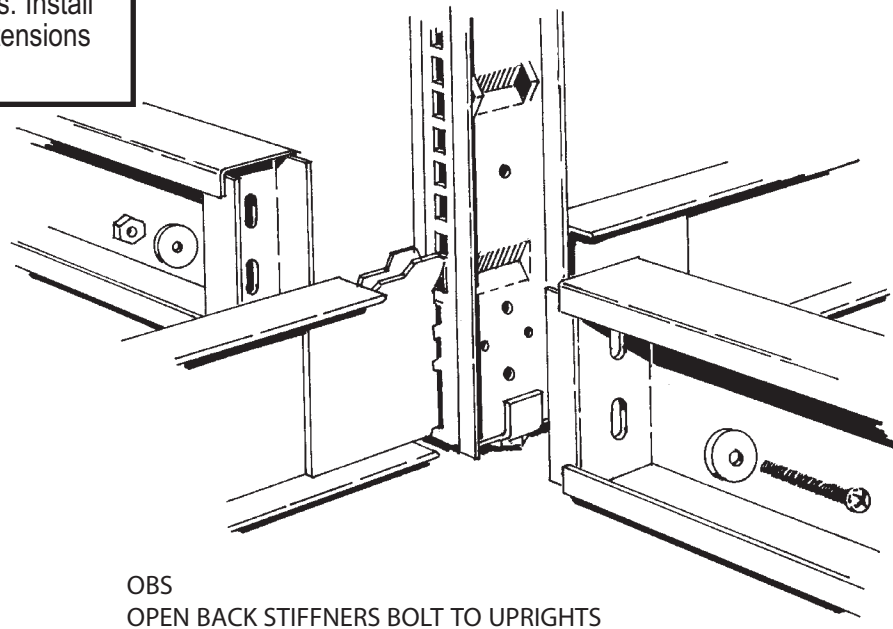
4

Retainer pins **MUST** be installed in TLEG shoes. Install standard base shoes temporarily to stabilize walls until corners are built. Engage lock clip on base shoes. Once walls are joined for corners, retract lock clips and remove base shoes straight out.

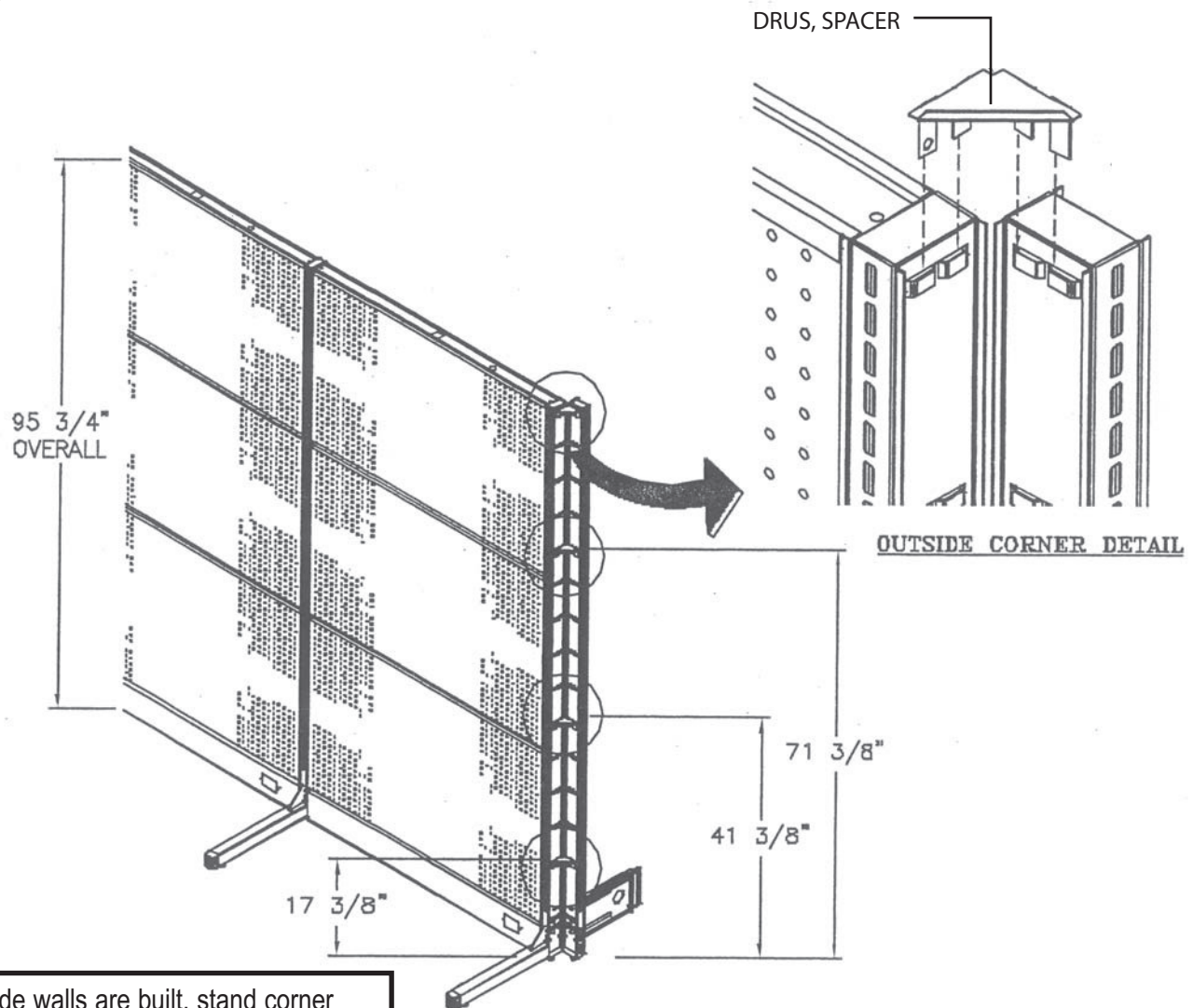


5

OBS bolts to uprights. Lower spanners install just above OBS. Continue up with Metal Backs and splicer spanners. Install top caps at top. Do not install extensions at this time.

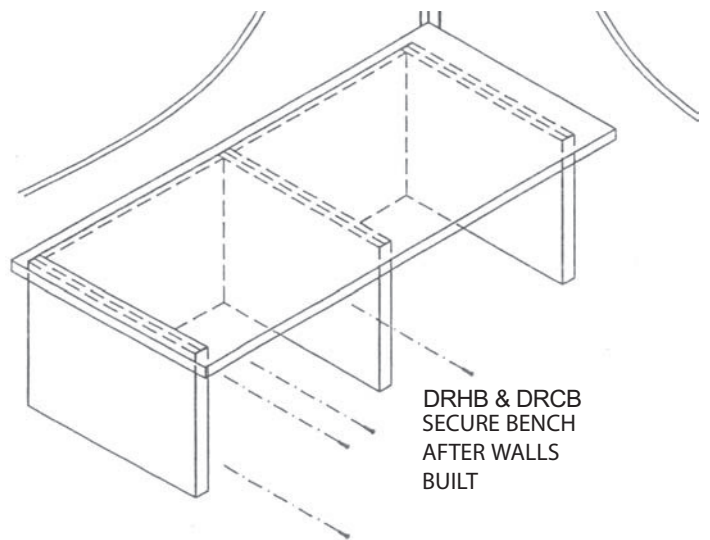






**6** After side walls are built, stand corner uprights (no shoes) at 90° and install spacers into lances. Four per corner.

**NOTE:**  
FOR SINGLE ROOMS...  
SET HANDICAP BENCH IN PLACE AND CONSTRUCT WALLS AROUND BENCH - BENCH IS TOO LARGE TO SET IN PLACE AFTER ROOM IS CONSTRUCTED. BENCH SECURES TO REAR PANELS WITH DRY-WALL SCREWS. WAIT UNTIL LAST STEP TO SECURE BENCH!

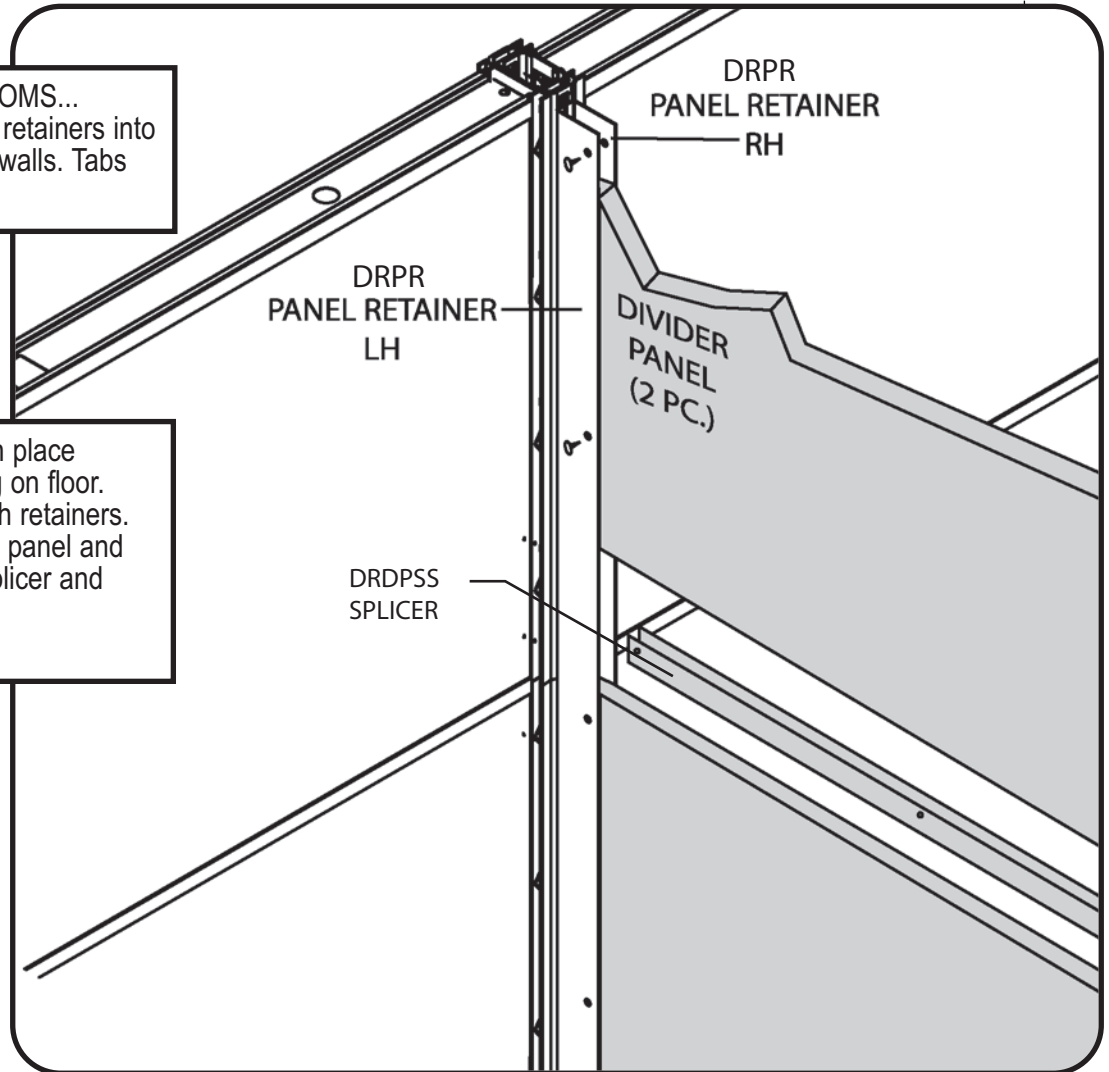


7

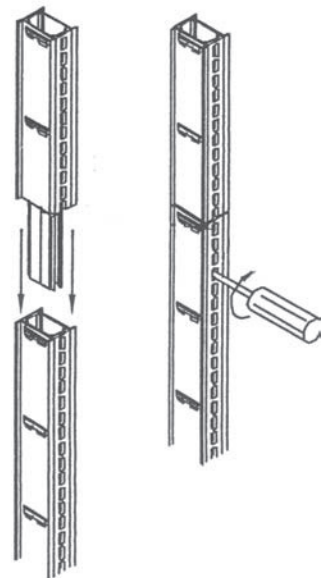
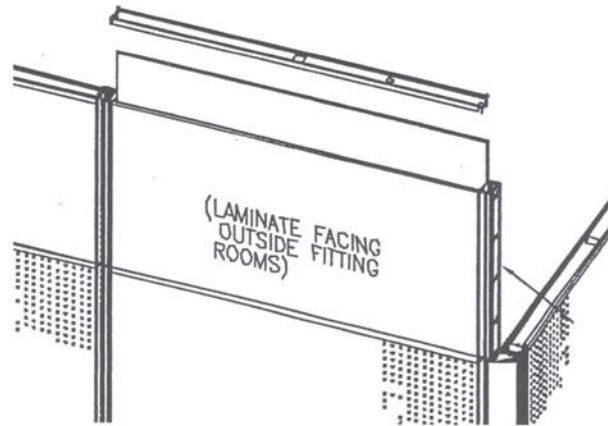
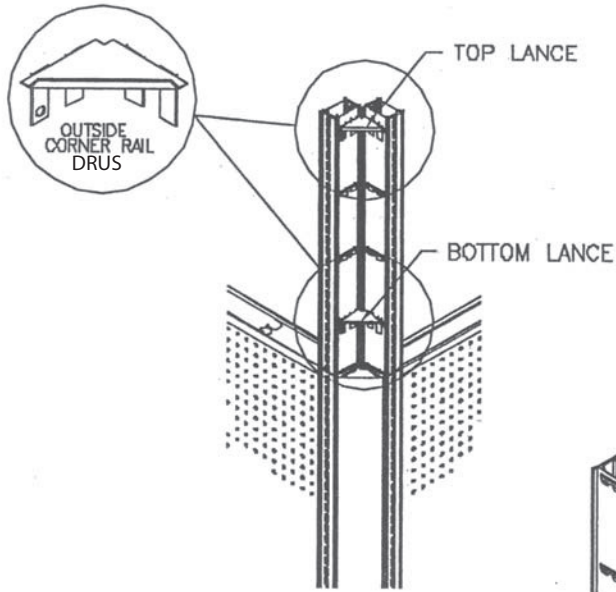
FOR DOUBLE FITTING ROOMS...  
Install LH & RH divider panel retainers into middle uprights on interior of walls. Tabs engage upright slots.

8

Locate lower divider panel in place between retainers and resting on floor. Run screws into panel through retainers. Locate splicer on top of lower panel and install upper panel. Secure splicer and upper panel with screws.

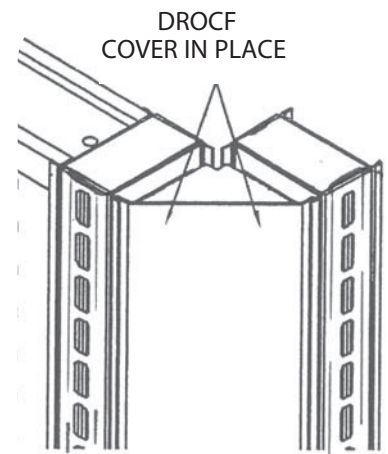
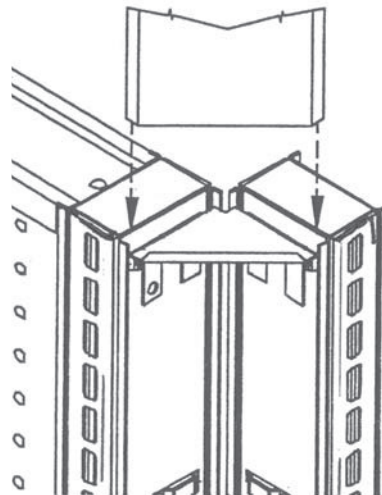


- 9** Install upright extensions and tighten expansion screws as shown.
- 10** Install corner spacers (2) for each corner.
- 11** Install extension backs and top spanners.



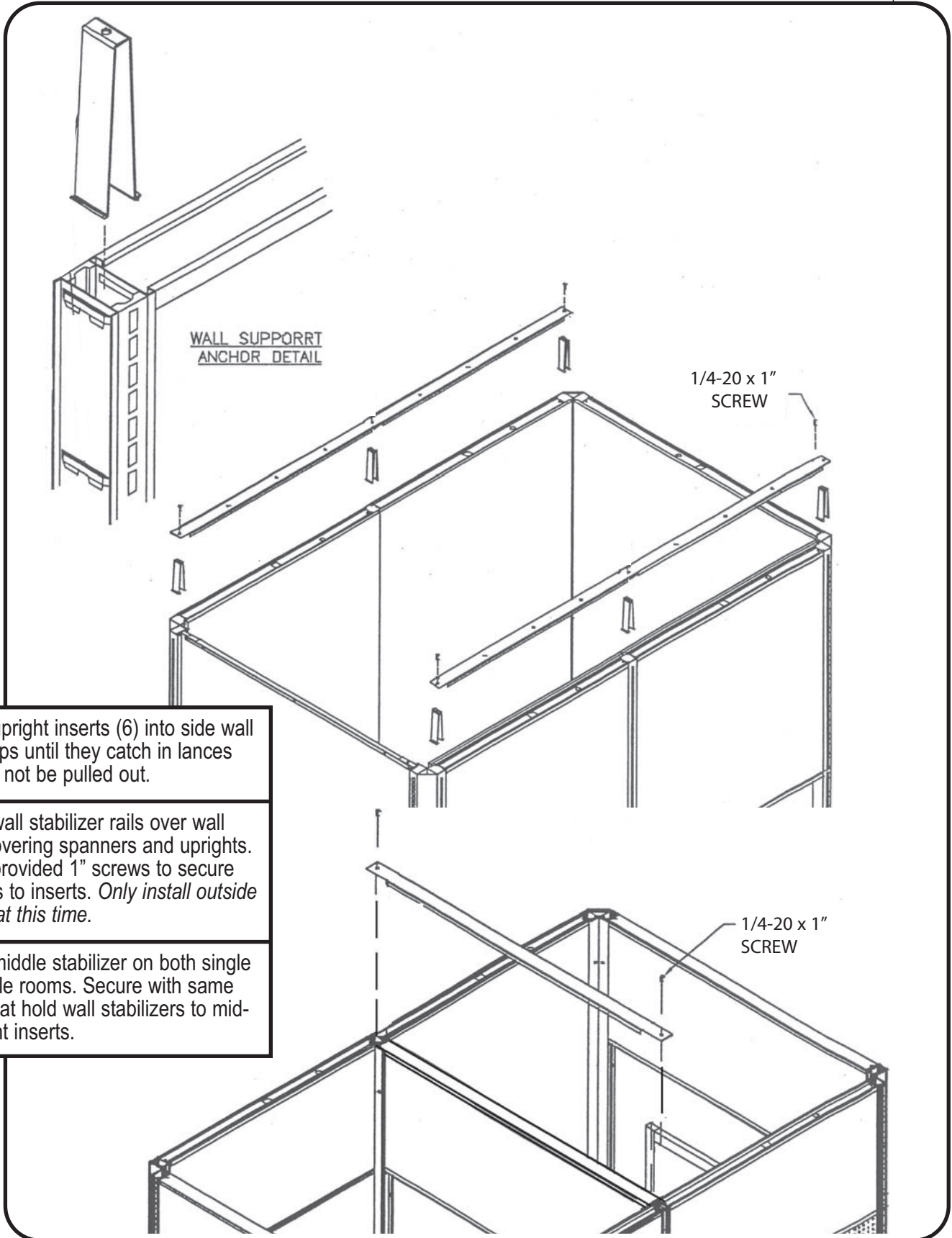
**EXTENSION SECTIONS**

- 12** Slide outside corner covers into place. Covers are retained between the upright edges and the spacers.

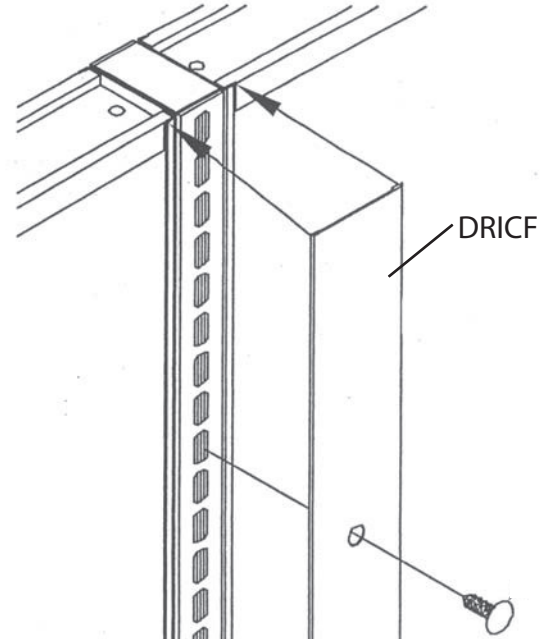
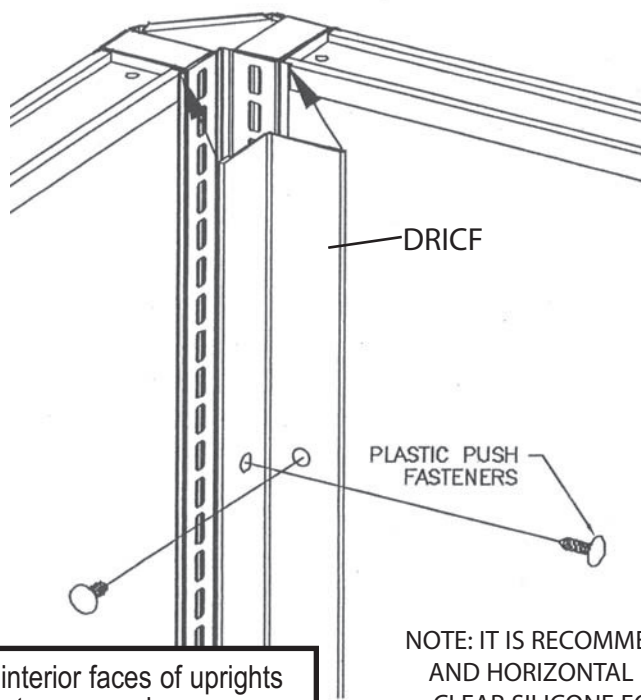


**COVER DETAIL**





- 13** Install upright inserts (6) into side wall upright tops until they catch in lances and can not be pulled out.
- 14** Install wall stabilizer rails over wall length, covering spanners and uprights. Use the provided 1" screws to secure stabilizers to inserts. *Only install outside screws at this time.*
- 15** Install middle stabilizer on both single and double rooms. Secure with same screws that hold wall stabilizers to middle upright inserts.



DRICF

DRICF

PLASTIC PUSH FASTENERS

NOTE: IT IS RECOMMENDED THAT ALL VERTICAL AND HORIZONTAL SEAMS BE CAULKED WITH CLEAR SILICONE FOR SECURITY AND THEFT PREVENTION!

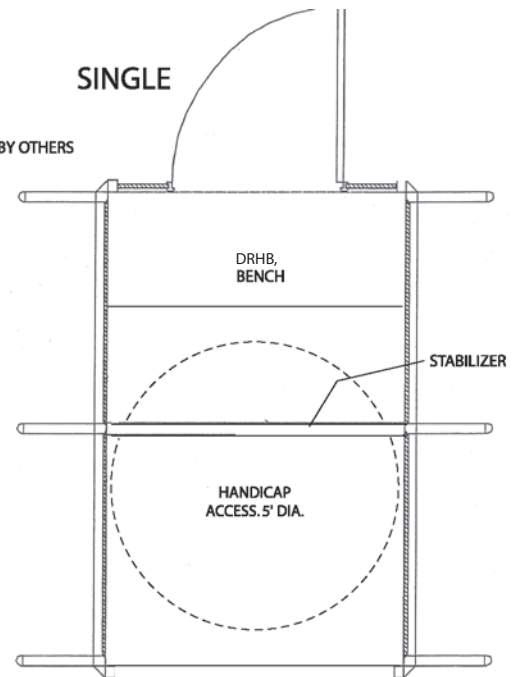
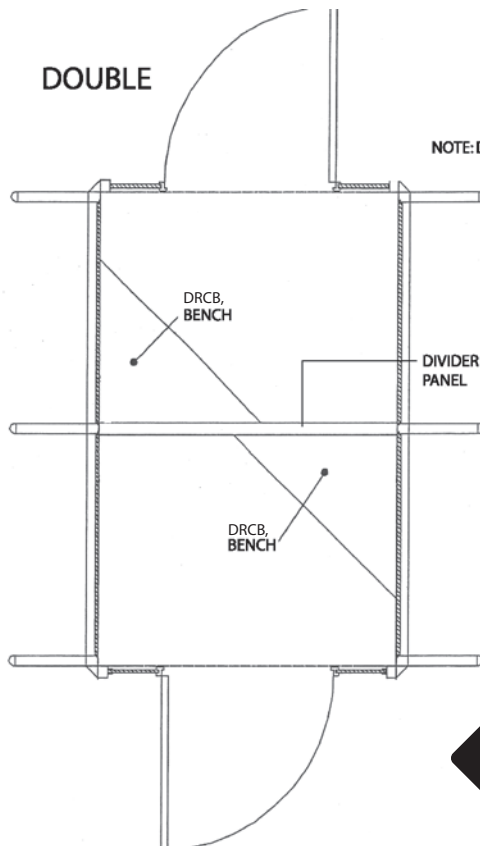
16

Install trim to interior faces of uprights using plastic fasteners as shown.

DOUBLE

SINGLE

NOTE: DOORS ARE PROVIDED BY OTHERS



1

Position benches in rooms as shown.

17

Door panels are stabilized at bottom with floor anchors, as indicated by stars on right (DOUBLE room is shown - SINGLE only takes (2) anchors on door side) Rough opening width is 38 3/4". Install the anchors adjacent to the door casing as shown. *Install anchors AFTER the door units are in place.*

