

VESTA FIXTURE

REV.	DESCRIPTION	DATE
01	CHANGED NAME FROM ULTRA TO VESTA	2/21/2014

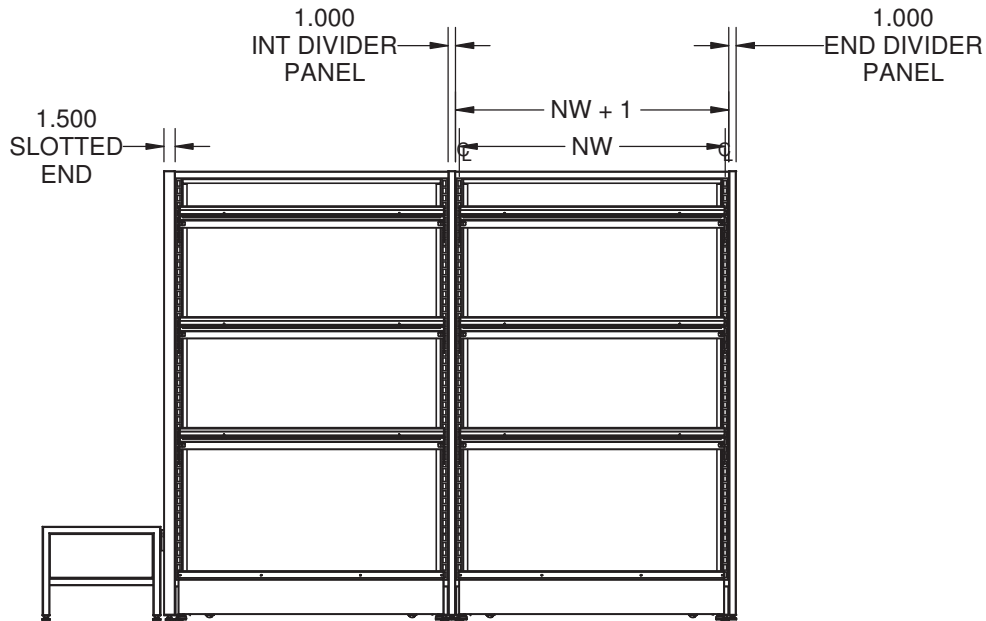
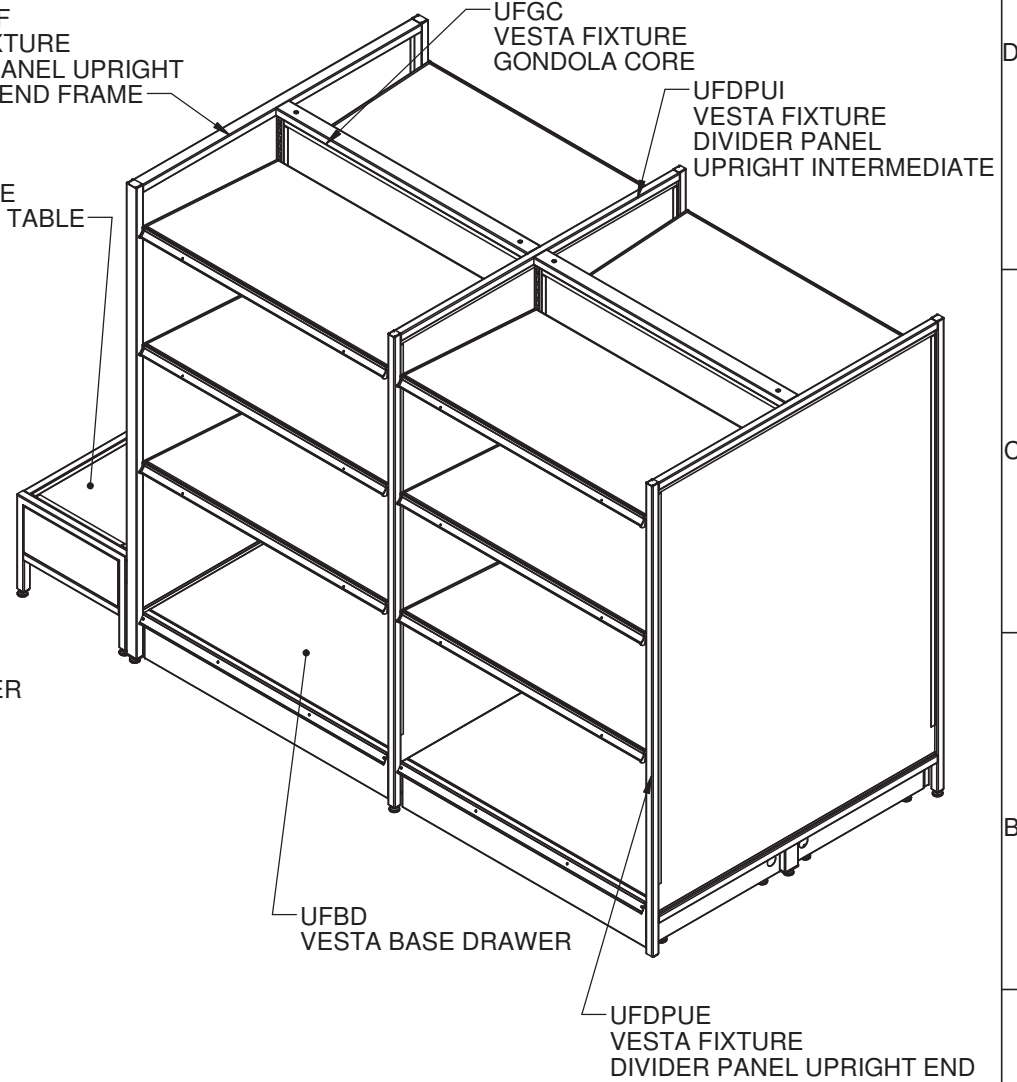
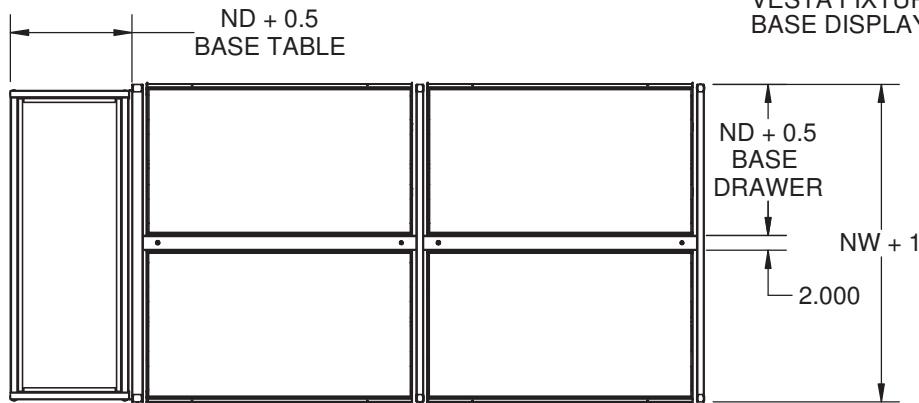
TOOLS NEEDED:
PHILLIPS SCREWDRIVER
RUBBER MALLOT
LEVEL

UFDPUSEF
 VESTA FIXTURE
 DIVIDER PANEL UPRIGHT
 SLOTTED END FRAME

UFGC
 VESTA FIXTURE
 GONDOLA CORE

UFDPUJ
 VESTA FIXTURE
 DIVIDER PANEL
 UPRIGHT INTERMEDIATE

UFDT
 VESTA FIXTURE
 BASE DISPLAY TABLE



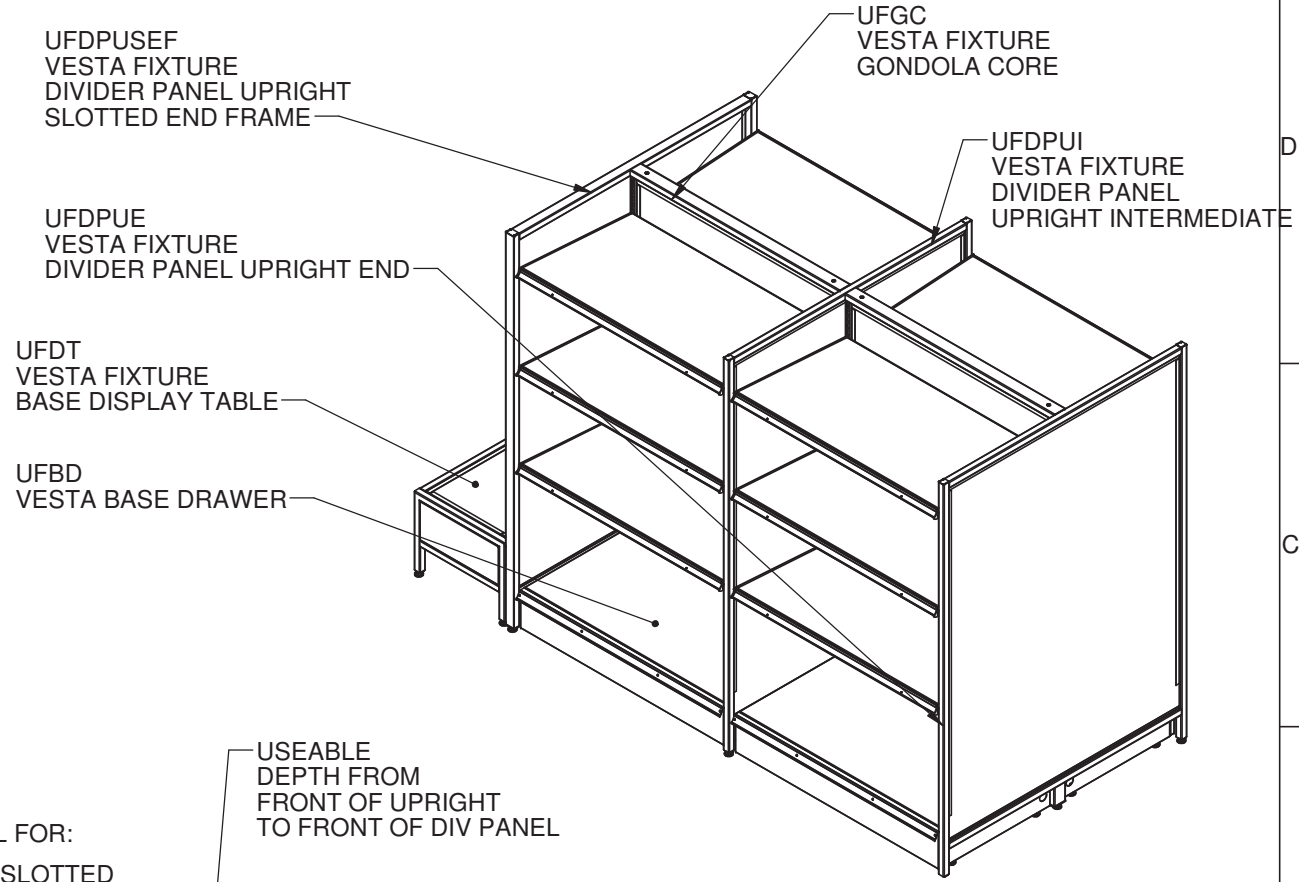
madix
ASY-80034772
 © 2013 Madix Inc., All rights reserved
 20984 AL HWY 9 GOODWATER, AL 35072
 PO BOX 729 TERRELL, TX 75160
 256-839-6354 / 214-515-5400 / 800-776-2349 SHEET 1 OF 8

ARB	REV. 01
2/21/14	ECM # 500000014190

20140221

VESTA FIXTURE

© 2013 Madix Inc., All rights reserved



DESIRED SHELF DEPTH

USE THIS NW DIVIDER PANEL FOR:

- WALL
- DOUBLE SIDED GONDOLA
- SLOTTED END FRAME

USEABLE DEPTH FROM FRONT OF UPRIGHT TO FRONT OF DIV PANEL

UFUSANL-(NW)(ND)-(TO)	UFWDP(OPT)(NW)(NH)(PANEL)	UFDPU(OPT)(NW)(NH)(PANEL)	UFDPUSEF(NW)(NH)(PANEL)	ACTUAL	UFBD(NW)(ND)(NH)	UFDT(NW)(ND)(NH)(FR PANEL)(TOP PANEL)
NOM SHELF DEPTH	WALL DIVIDER PANEL	GOND DIVIDER PANEL	GOND DIV ENDPANEL	AVAILABLE DEPTH	DRAWER (FLUSHED TO FRONT)	BASE TABLE(FLUSHED TO FRONT)
ND 10		NW24		11.5	N/A	ND 11
ND 12		NW30		14.5	ND14	ND14
ND 14		NW32		15.5	ND15	ND15
ND 14	NW20			16.5	ND16	ND16
ND 16		NW36		17.5	ND17	ND17
ND16	NW22			18.5	ND18	ND18
ND 18		NW42		20.5	ND20	ND20
ND 20	NW26			22.5	ND22	ND22
ND 20 OR 22		NW48		23.5	ND23	ND23
ND 22	NW28			24.5	ND24	ND24
ND 24	NW 30			26.5	ND26	ND26

DRAWER AND BASE TABLE MAY BE USED ON A GONDOLA RUN OR ON A SLOTTED END FRAME. THIS WILL HELP YOU TO DETERMINE WHICH SIZE PRODUCTS TO ORDER.

madix
ASY-80034772

P.O. BOX 729 TERRELL, TEXAS 75160
214-515-5400 / 800-776-2349

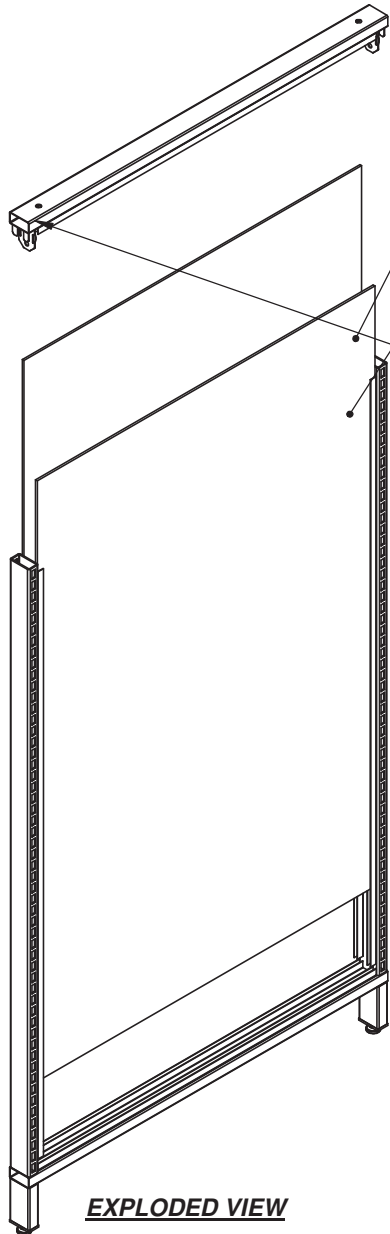
PAGE 2 OF 8 REV. 01
2/21/14 ARB ECM # 500000014190



20140221

VESTA FIXTURE

© 2013 Madix Inc., All rights reserved



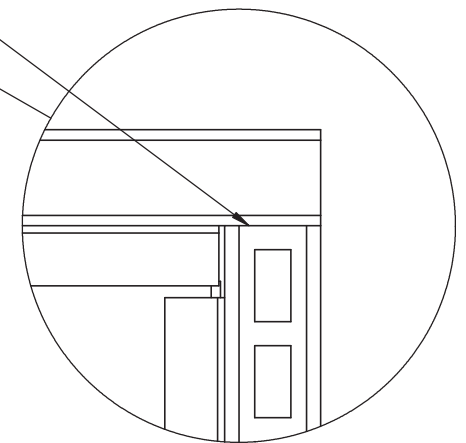
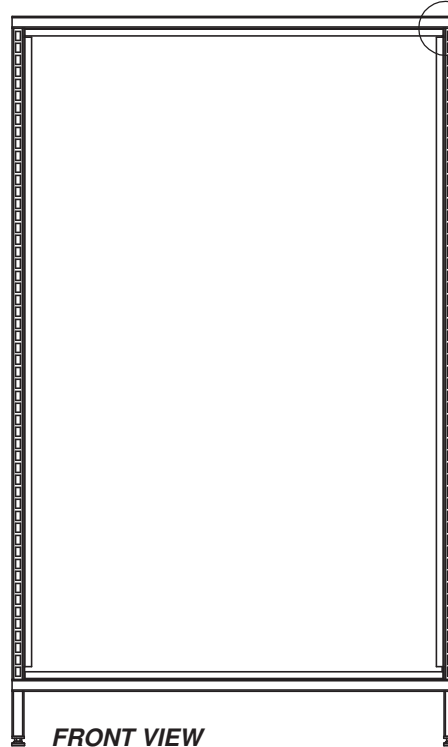
STEP 1 : PEEL PROTECTIVE COVERING FROM ALL PLASTIC BACK PANELS BEFORE INSTALLATION.

STEP 2: INSERT (2) PANELS INTO TRACKS IN FRAME

HINT: DUE TO THE HIGH HEAT OF THE WELDING OPERATIONS, THE UPRIGHTS TEND TO DRAW INWARD, SO YOU MAY NEED TO HAVE SOMEONE HELP YOU SPREAD THE UPRIGHTS APART TO INSTALL BACK PANELS.

BE SURE PANELS SEAT ALL THE WAY IN THE BOTTOM OF BOTH TRACKS.

STEP 3: INSTALL TOP RETAINER
AFTER INSTALLING BACK PANELS, SEAT RETAINER INTO TOP OF UPRIGHTS. A RUBBER MALLOT MAY BE NEEDED. AGAIN, BE SURE THE BACK PANELS ARE ALIGNED WITH THE TRACKS IN THE TOP RETAINER, AND IT IS SEATED ALL THE WAY INTO THE UPRIGHT.



DETAIL A
SCALE 1 : 2



EXPLODED VIEW

FRONT VIEW

20140221

madix
ASY-80034772

P.O. BOX 729 TERRELL, TEXAS 75160
214-515-5400 / 800-776-2349

PAGE 3 OF 8 REV. 01

2/21/14 ARB ECM # 500000014190

VESTA FIXTURE

© 2013 Madix Inc., All rights reserved

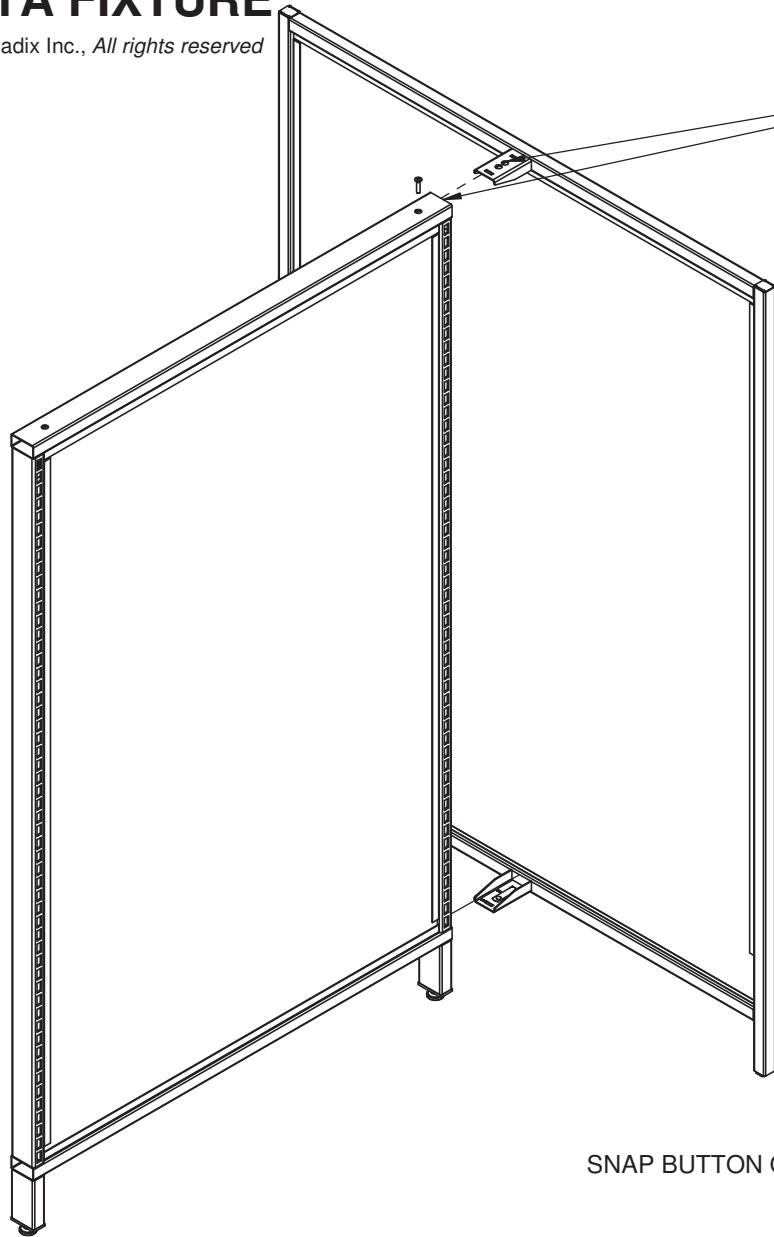
D
C
B
A

4

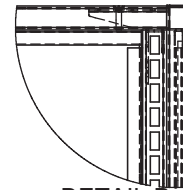
3

2

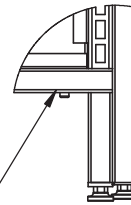
1



INSERT THE CONNECTORS ON THE END DIVIDER PANEL (CONNECTORS WILL ONLY BE ON ONE SIDE ON AN END DIVIDER) INTO OPEN END OF TUBES ON THE SIDE OF THE GONDOLA CORE WHILE PRESSING SNAP BUTTON ON BOTTOM. YOU MAY NEED TO USE A MALLOT TO DRIVE THEM TOGETHER. INSTALL SCREW INTO HOLE IN TOP OF CORE RETAINER

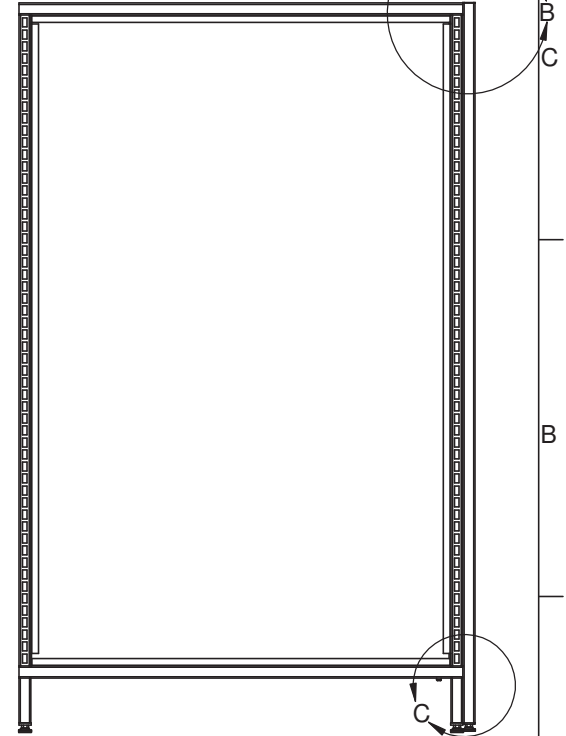


DETAIL B
SCALE 1 : 8



DETAIL C
SCALE 1 : 8

SNAP BUTTON ON BOTTOM



20140221

4

3

2

1

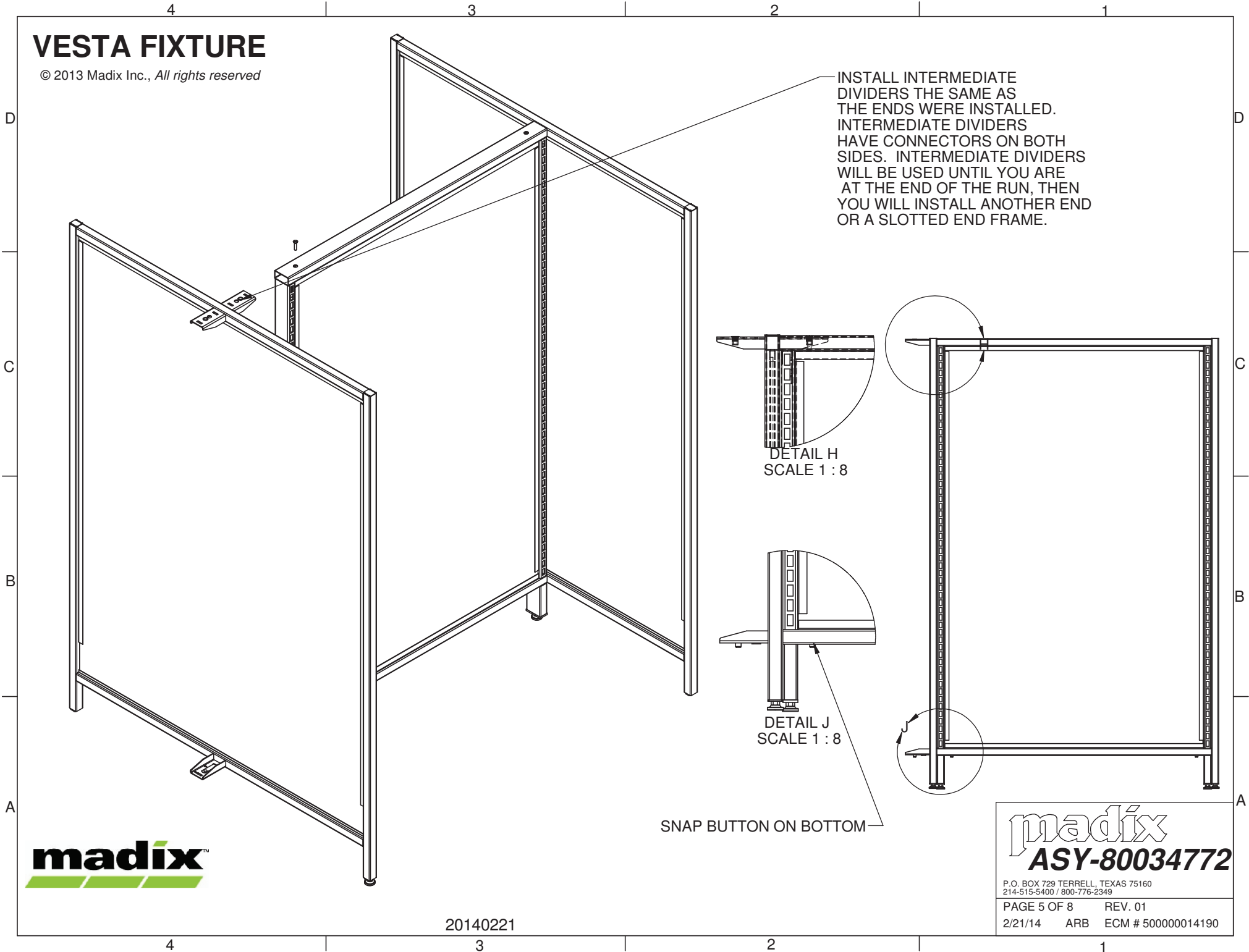
madix
ASY-80034772

P.O. BOX 729 TERRELL, TEXAS 75160
214-515-5400 / 800-776-2349

PAGE 4 OF 8 REV. 01
2/21/14 ARB ECM # 500000014190

VESTA FIXTURE

© 2013 Madix Inc., All rights reserved



20140221

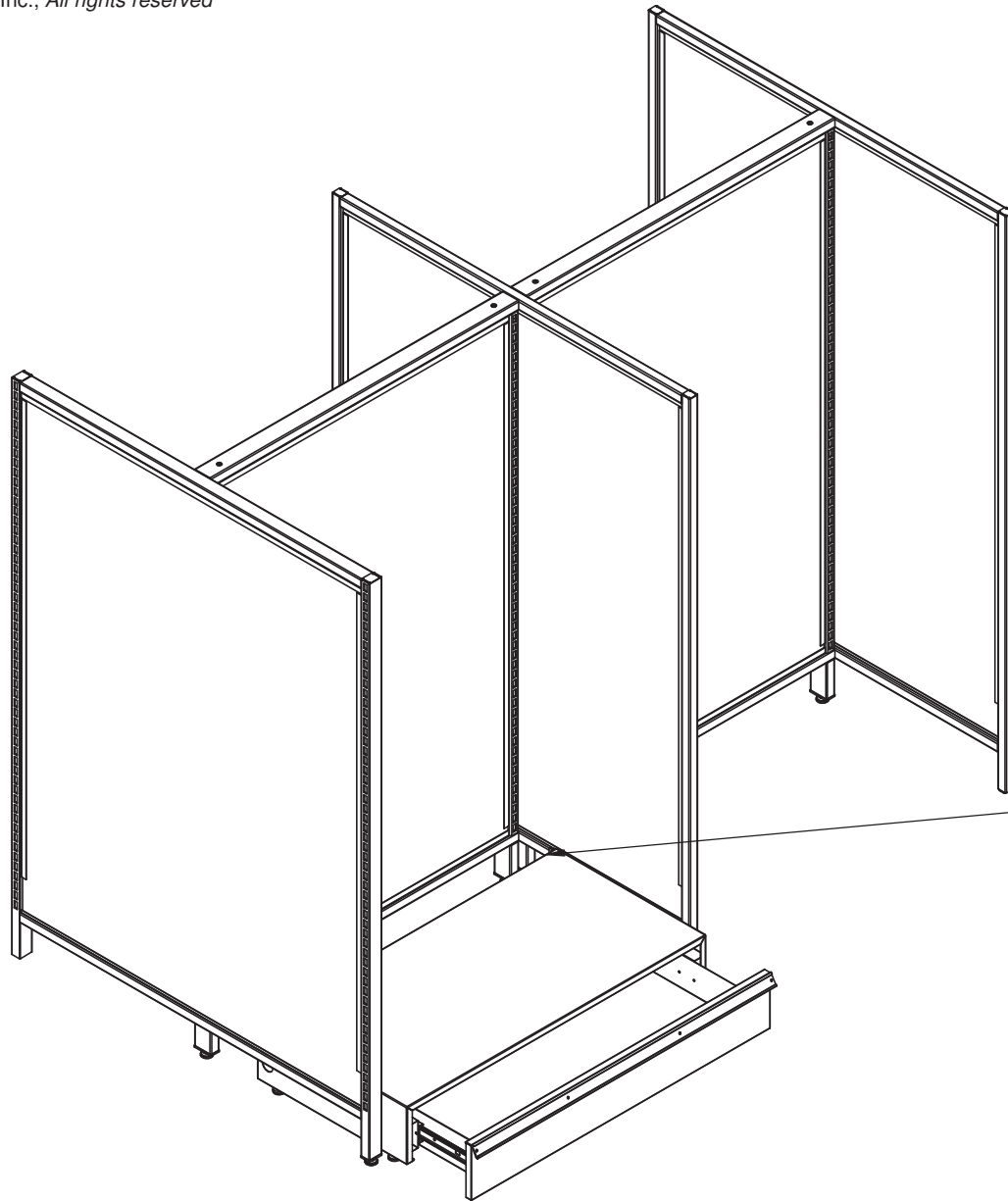
madix
ASY-80034772

P.O. BOX 729 TERRELL, TEXAS 75160
214-515-5400 / 800-776-2349

PAGE 5 OF 8 REV. 01
2/21/14 ARB ECM # 500000014190

VESTA FIXTURE

© 2013 Madix Inc., All rights reserved



PUSH DRAWER UP TO CORE,
AND HOOK INTO SLOTTING.
YOU CAN REMOVE THE DRAWER
OUT OF THE DRAWER BODY TO
MAKE THIS EASIER BY PULLING
DRAWER ALL THE WAY OUT, AND
PUSHING LEVERS ON THE DRAWER
SLIDES TO RELEASE.

IF DESIERED, YOU MAY ALSO REMOVE
THE LEVELING LEGS TO ALLOW THE DRAWER
TO BE ALL THE WAY ON THE GROUND.



20140221

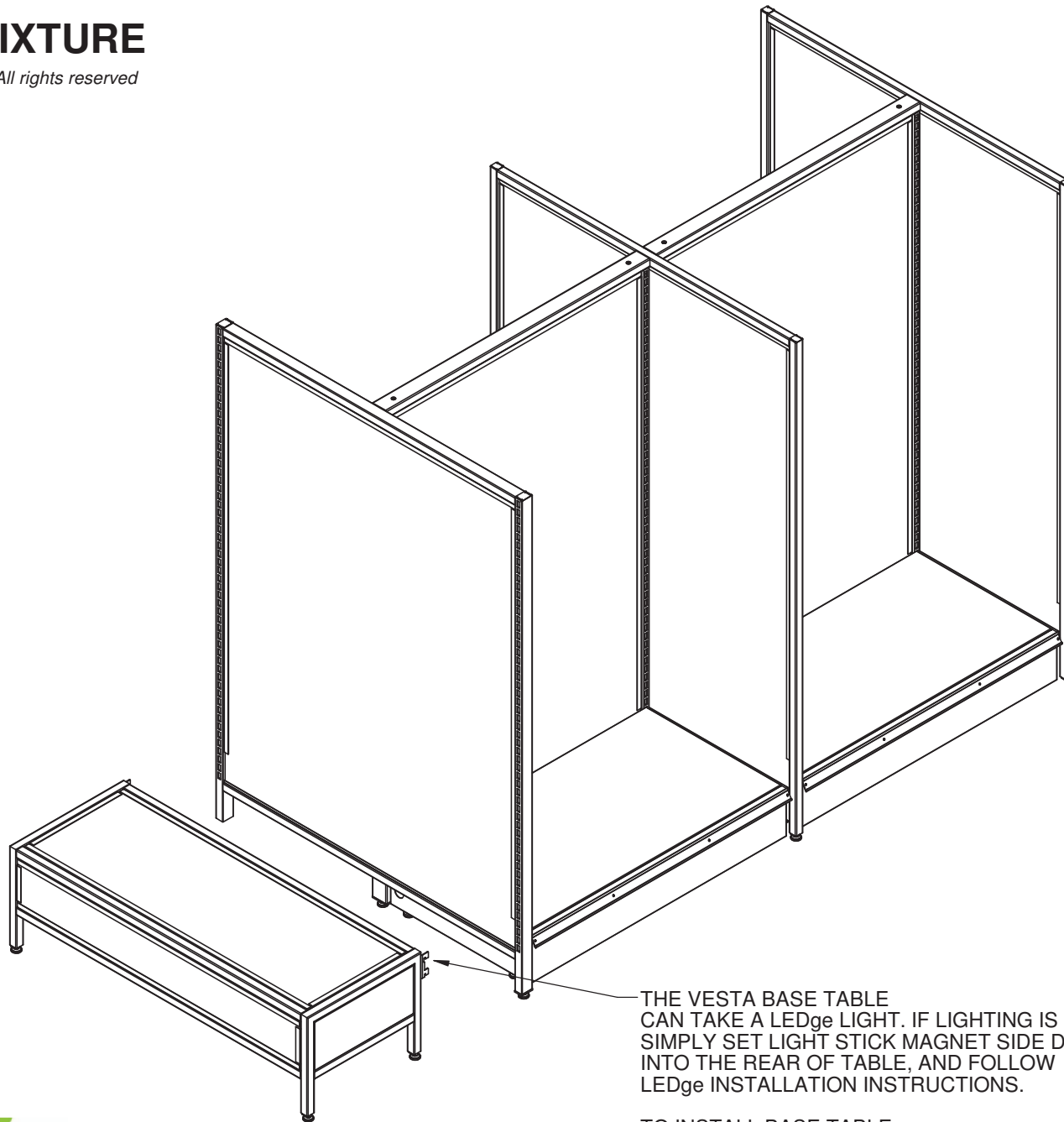
madix
ASY-80034772

P.O. BOX 729 TERRELL, TEXAS 75160
214-515-5400 / 800-776-2349

PAGE 6 OF 8 REV. 01
2/21/14 ARB ECM # 500000014190

VESTA FIXTURE

© 2013 Madix Inc., All rights reserved



THE VESTA BASE TABLE CAN TAKE A LEDge LIGHT. IF LIGHTING IS NEEDED, SIMPLY SET LIGHT STICK MAGNET SIDE DOWN INTO THE REAR OF TABLE, AND FOLLOW LEDge INSTALLATION INSTRUCTIONS.

TO INSTALL BASE TABLE SLIDE IT UP TO THE CORE, AND HOOK IT INTO THE SLOTTING.



20140221

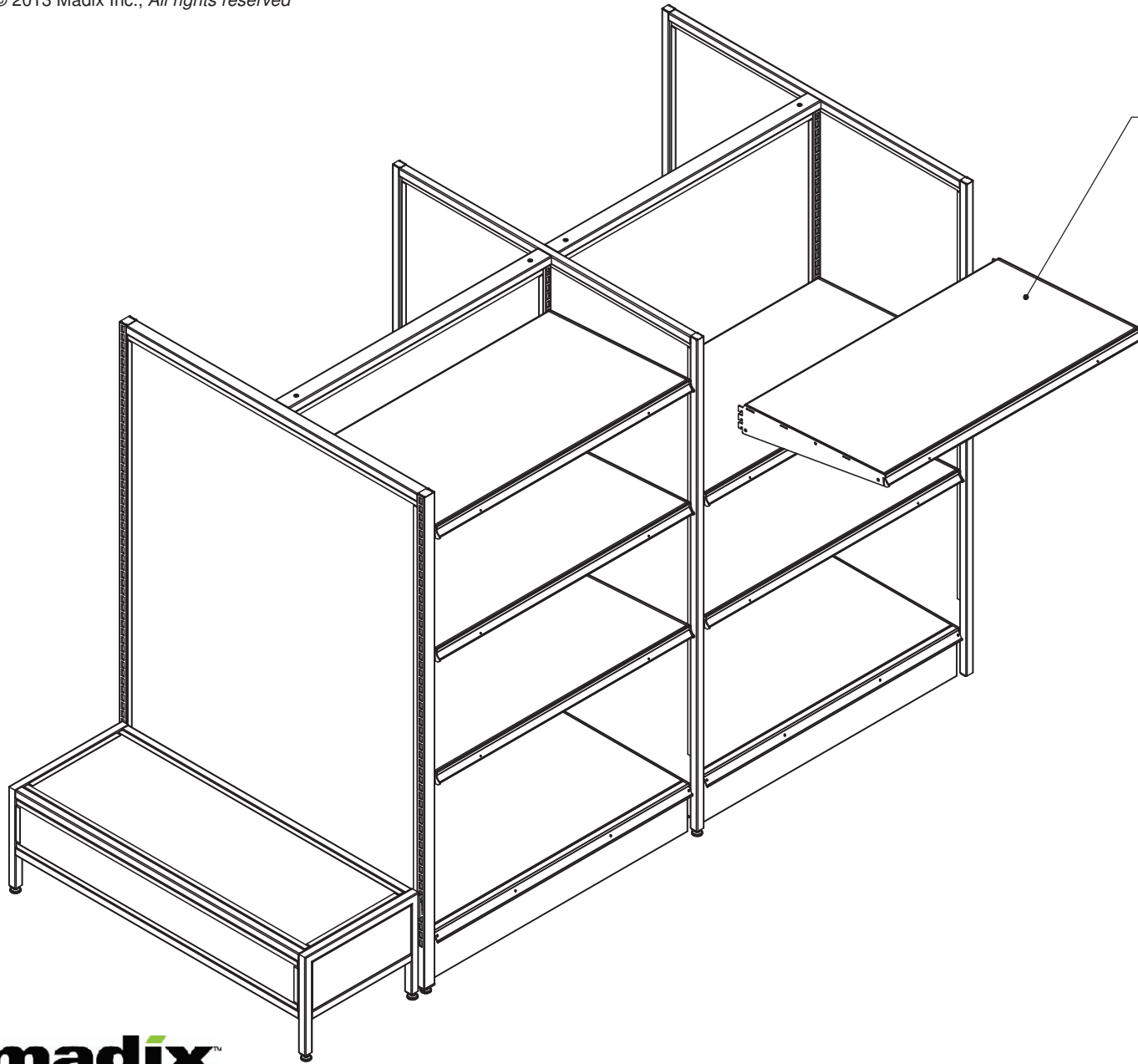
madix
ASY-80034772

P.O. BOX 729 TERRELL, TEXAS 75160
214-515-5400 / 800-776-2349

PAGE 7 OF 8 REV. 01
2/21/14 ARB ECM # 500000014190

VESTA FIXTURE

© 2013 Madix Inc., All rights reserved



ANY 2 TAB MADIX SHELving MAY BE USED WITH THE ULTRA FIXTURE PICTURED ARE OUR STRAIGHT IN UFUSA SHELVES WHICH HOOK STRAIGHT INTO THE CORE, OR END FRAME.

DETERMINE IF VERSA BUS BAR STRIP AND LEDge LIGHTS ARE TO BE USED BEFORE INSTALLING SHELving! IF SO, INSTALL VERSA STRIPS USING THE SUPPLIED INSTALLATION INSTRUCTIONS (VERSA MADIX DOCUMENT ASY-80034765 OR LEDge MADIX DOCUMENT ASY-80017242).



20140221

madix
ASY-80034772

P.O. BOX 729 TERRELL, TEXAS 75160
214-515-5400 / 800-776-2349

PAGE 8 OF 8 REV. 01
2/21/14 ARB ECM # 500000014190