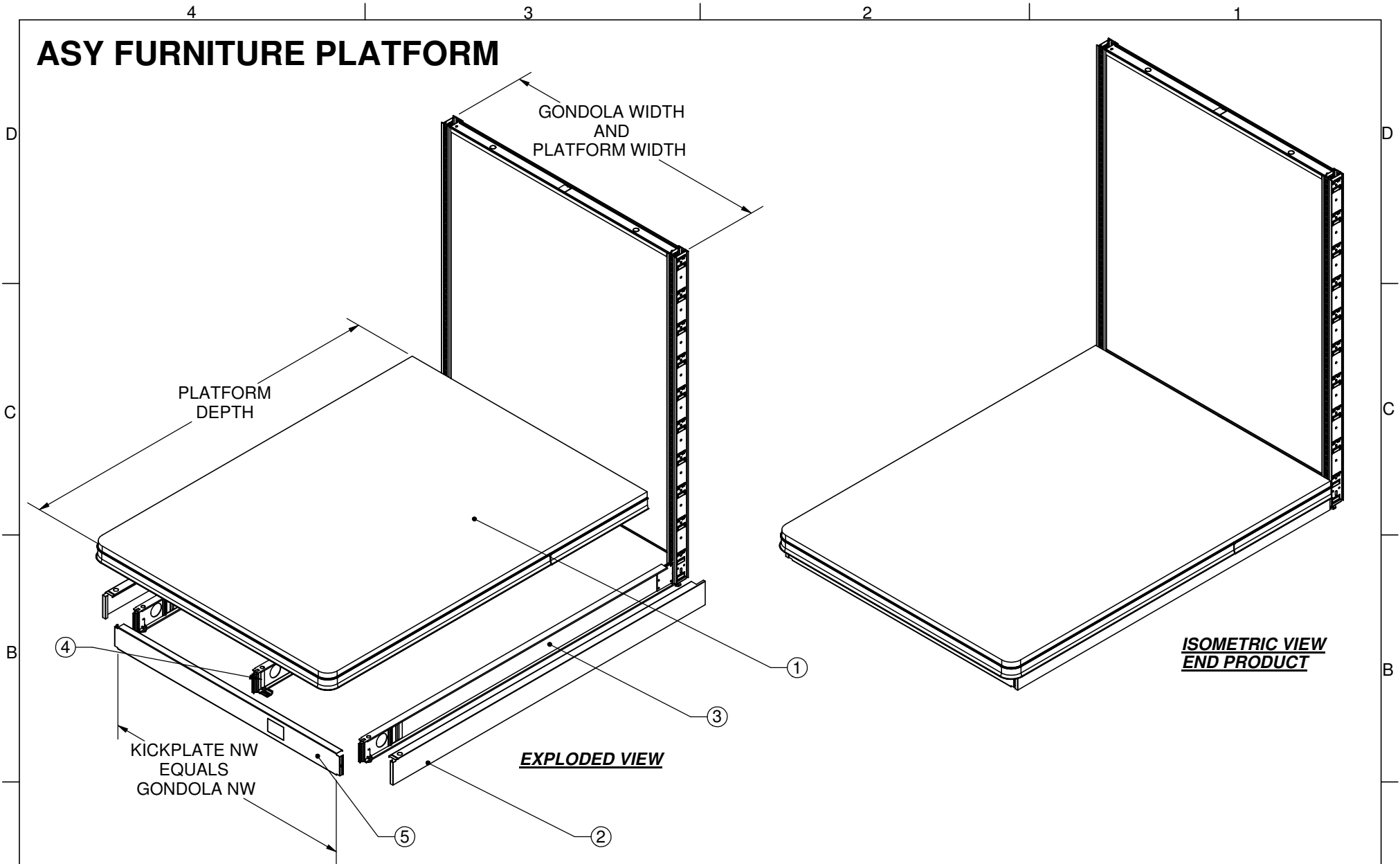


# ASY FURNITURE PLATFORM



ITEM	Code	Drawing	ASY	Desc	Qty req'd
1	CFPD(NW)(ND)	80021054		CARPETED FURN PLATFORM	1
2	SBEC-(NH)(ND)	6350-286		SPECIAL BASE END COVER	1 PR
3	BS( )-ND	6503-165	ASY-046	BASE SHOE	2
4	BLL-ND	6506-414	ASY-80016691	BASE LOAD LEVELER	1
5	KP-(NW)(NH)	8005	ASY-046	KICKPLATE	1

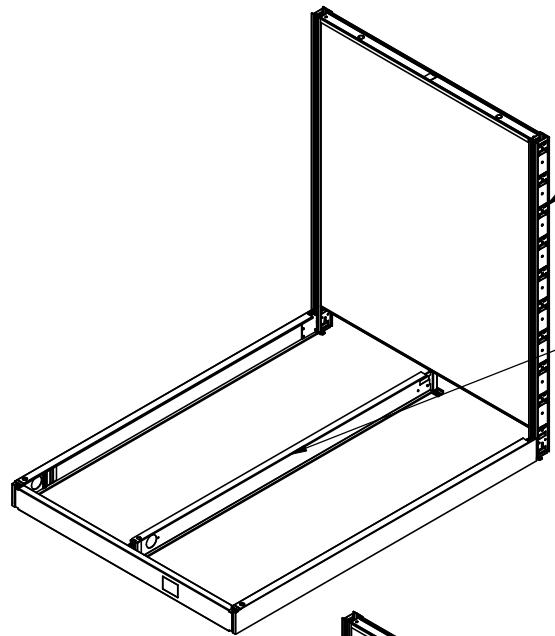
**madix**  
**ASY-80021157**

P.O. BOX 729 TERRELL, TEXAS 75160  
 214-515-5400 / 800-776-2349

PAGE 1 OF 2    REV. 02  
 8/14/2012 ARB    ECM # 500000011592

# ASY FURNITURE PLATFORM

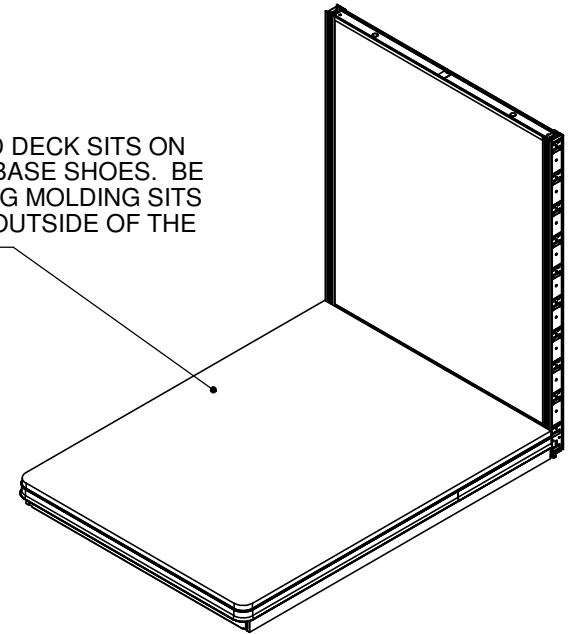
- A. REFER TO ASY-046 FOR GONDOLA ASSEMBLY.
- B. MOUNT LONG BASE SHOE AS SHOWN IN THE ABOVE ASY
- C. BEND TABS DOWN ON KICKPLATE
- D. SLIDE IN KICKPLATE INTO LONG BASE SHOE
- E. MOUNT SBEC BASE END COVERS ON TO LONG BASE SHOES
- F. INSERT BLL BETWEEN SHOES.
- G. PLACE WOOD DECK ON TOP OF LONG BASE SHOES AND PUSH AGAINST THE UPRIGHTS.



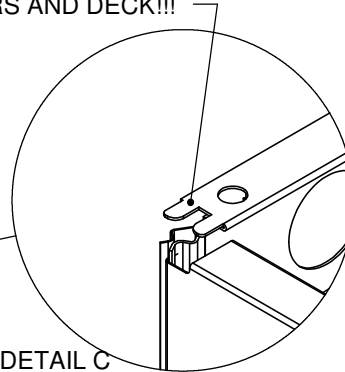
A, B, D. REFER TO ASY-046 FOR INSTRUCTIONS ON ASSEMBLING GONDOLA WITH BASE SHOES AND KICK PLATE

F. PLACE BLL IN CENTER OF BASE SHOES AS SHOWN. LEVEL THE SUPPORTS BY TURNING THE LEVELING LEGS IN THE DIRECTION NEEDED (UP OR DOWN). THE TOP OF THE BLL WILL REST SLIGHTLY BELOW THE TOP OF THE BASE SHOES AND THE UNDERSIDE OF THE WOOD DECK.

G. WOOD DECK SITS ON TOP OF BASE SHOES. BE SURE TAG MOLDING SITS TO THE OUTSIDE OF THE SHOES.



***IMPORTANT!!!***  
 FLATTEN EARS ON BASE SHOE BEFORE INSTALLING BASE SHOE COVERS AND DECK!!!



DETAIL C  
 SCALE 1 : 4

**madix**  
**ASY-80021157**

P.O. BOX 729 TERRELL, TEXAS 75160  
 214-515-5400 / 800-776-2349

PAGE 2 OF 2    REV. 02  
 8/14/2012 ARB    ECM # 500000011592