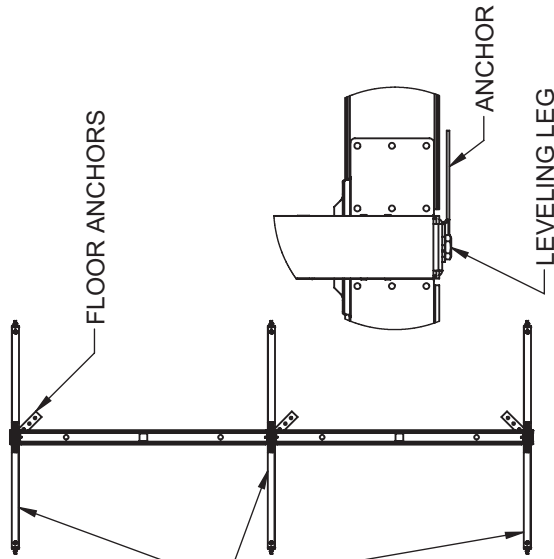


# ASY FOR MIPS

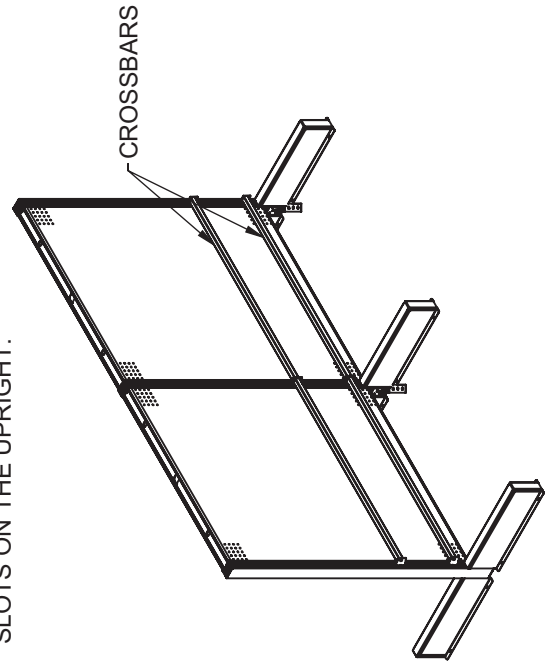
1

INSTALL FLOOR ANCHORS TO THE BOTTOM OF EACH UPRIGHT OVER THE LEVELING LEGS.



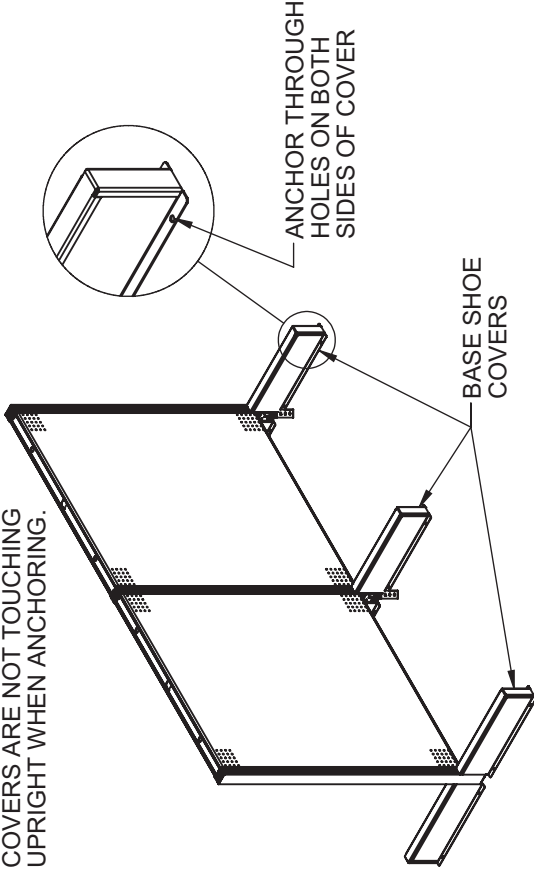
3

INSTALL CROSSBARS AT THE DESIRED HEIGHT INTO THE SLOTS ON THE UPRIGHT.



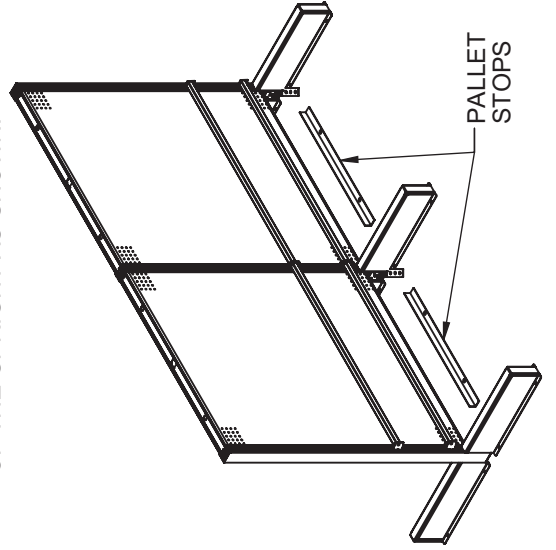
2

INSTALL HEAVY DUTY BASE SHOE COVERS. COVERS WILL ANCHOR INTO THE FLOOR ON BOTH SIDES OF THE BASE SHOE. MAKE SURE THE COVERS ARE NOT TOUCHING THE UPRIGHT WHEN ANCHORING.

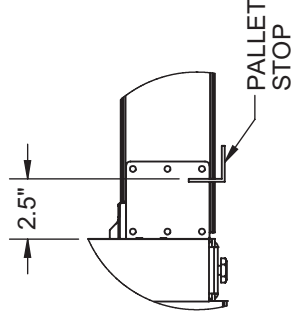


4

INSTALL PALLET STOPS IN THE CENTER OF EACH SECTION AT LEAST 2.5" FROM THE FRONT OF THE UPRIGHT AS SHOWN.



MAKE SURE PALLET STOP IS INSTALLED AT A LOCATION THAT WOULD PREVENT THE PALLET FROM COMING IN CONTACT WITH THE CROSSBARS.



**madix**  
**ASY-80017676**  
 P.O. BOX 729 TERRELL, TEXAS 75160  
 214-515-5400 / 800-776-2346  
 PAGE 1 OF 1  
 07/01/09 CAB ECM # 50000006975