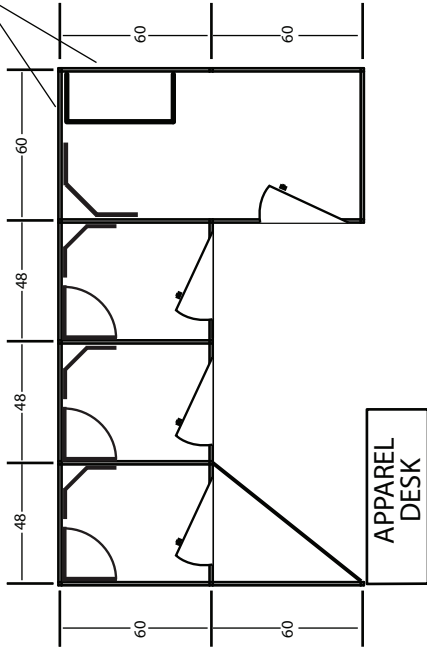


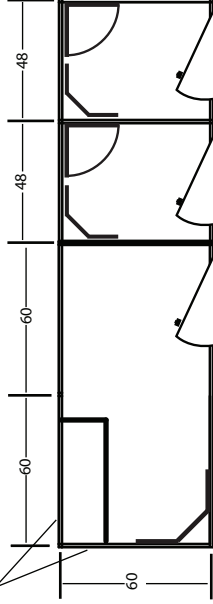
START INSTALLATION WITH THESE PANELS AND MOVE ALONG REAR SIDE OF FITTING ROOMS

4-BAY



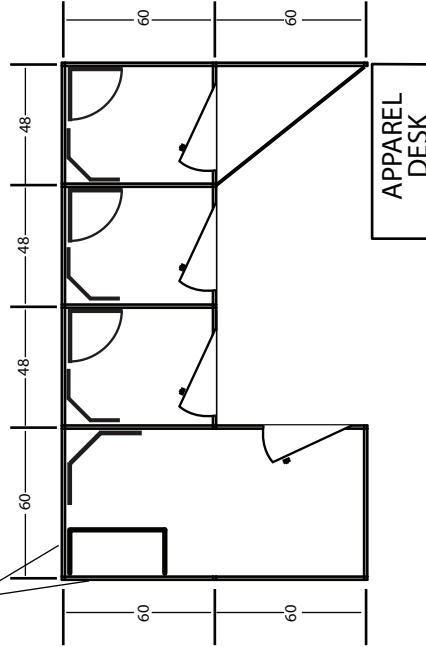
3-BAY

START INSTALLATION WITH THESE PANELS AND MOVE ALONG REAR SIDE OF FITTING ROOMS



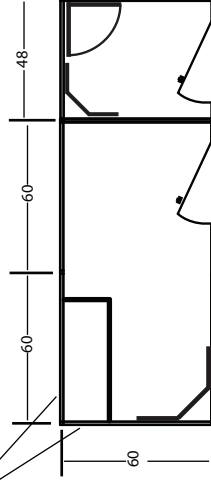
START INSTALLATION WITH THESE PANELS AND MOVE ALONG REAR SIDE OF FITTING ROOMS

4-BAY-FLIPPED



START INSTALLATION WITH THESE PANELS AND MOVE ALONG REAR SIDE OF FITTING ROOMS

2-BAY



**REFER TO STORE PRINTS TO DETERMINE
SPECIFIC LAYOUT AND DIMENSIONS
RELATED TO AISLE PLACEMENT**



PO. BOX 729 TERRELL, TEXAS 75160
972-563-5574 / 800-776-2349

ASY-80015981

01/15/09 CAB

PAGE 1 OF 20 REV.06
ECM#50000008321

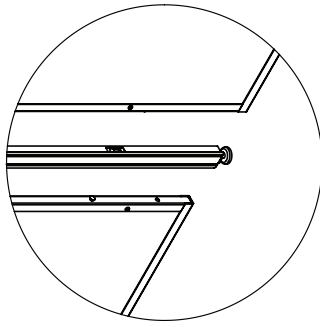
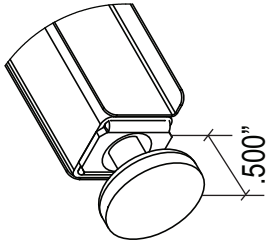
This assembly will require three people and the following tools: Chalkline, tape measure, 4' level, step ladder, rubber mallet, drill driver with phillips bit and 1/2" wrench. Footprint of system is shown on store prints.

See upright placement schedule on page 3 for reference. **Run all level legs on uprights out 1/2" .**

1 Prepare area by using chalk line to designate the perimeter of the outside panels. Begin assembly at the left hand corner as shown on the front page. Level assembly before proceeding. Use rubber mallet to seat panels into uprights

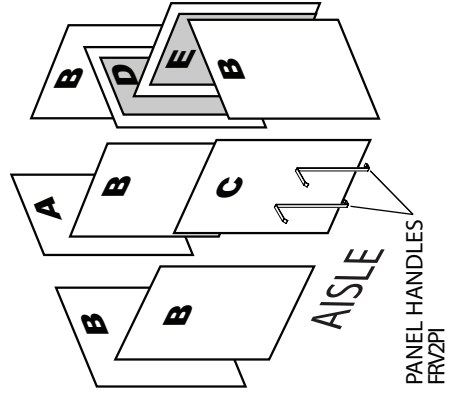
2 Proceed building the sections. Use provided panel handles to lift and install panels. Refer to panel placement schedule and upright placement schedule. **Level each section before proceeding to the next.**

Note that all panels are marked on top and bottom with letters. See panel placement schedule with descriptions on page 3 for reference.



RIVETS ON PANEL EDGES SNAP INTO KEY SLOTS IN UPRIGHTS.

STARTING FROM FRONT LEFT CORNER ON AISLE SIDE.

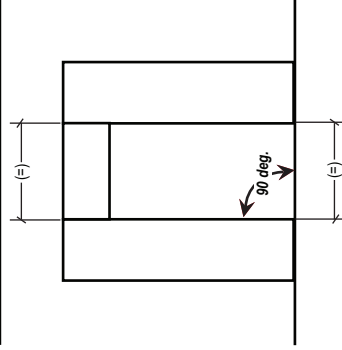


PANEL HANDLES FRV2P1

3 Arched canopy supports slide into tops of key slotted uprights. One in the ADA fitting rooms only

4 Once all of the wall panels are properly located and level, anchors should be installed. Anchors should always be placed **INSIDE** the rooms. Anchors should not interfere with door operation. Use provided hardware. Mark locations on floor for pre drilled holes to provided floor anchors.

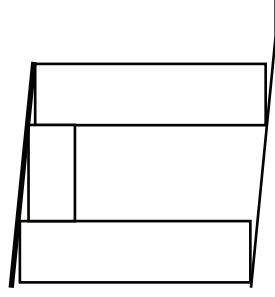
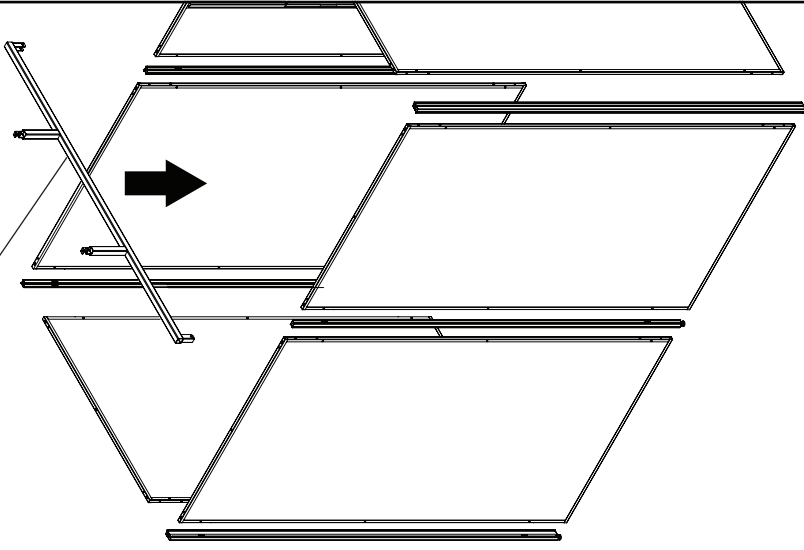
****WARNING****
DOOR FRAMES MUST BE LEVELED AND SQUARED BEFORE ANCHORING INTO FLOOR



CORRECT

****WARNING****
PANELS AND DOORS MUST BE RE-LEVELED AND SQUARED IF THEY ARE MOVED AT ANY TIME DURING INSTALLATION.

FRV2ACAB-BS

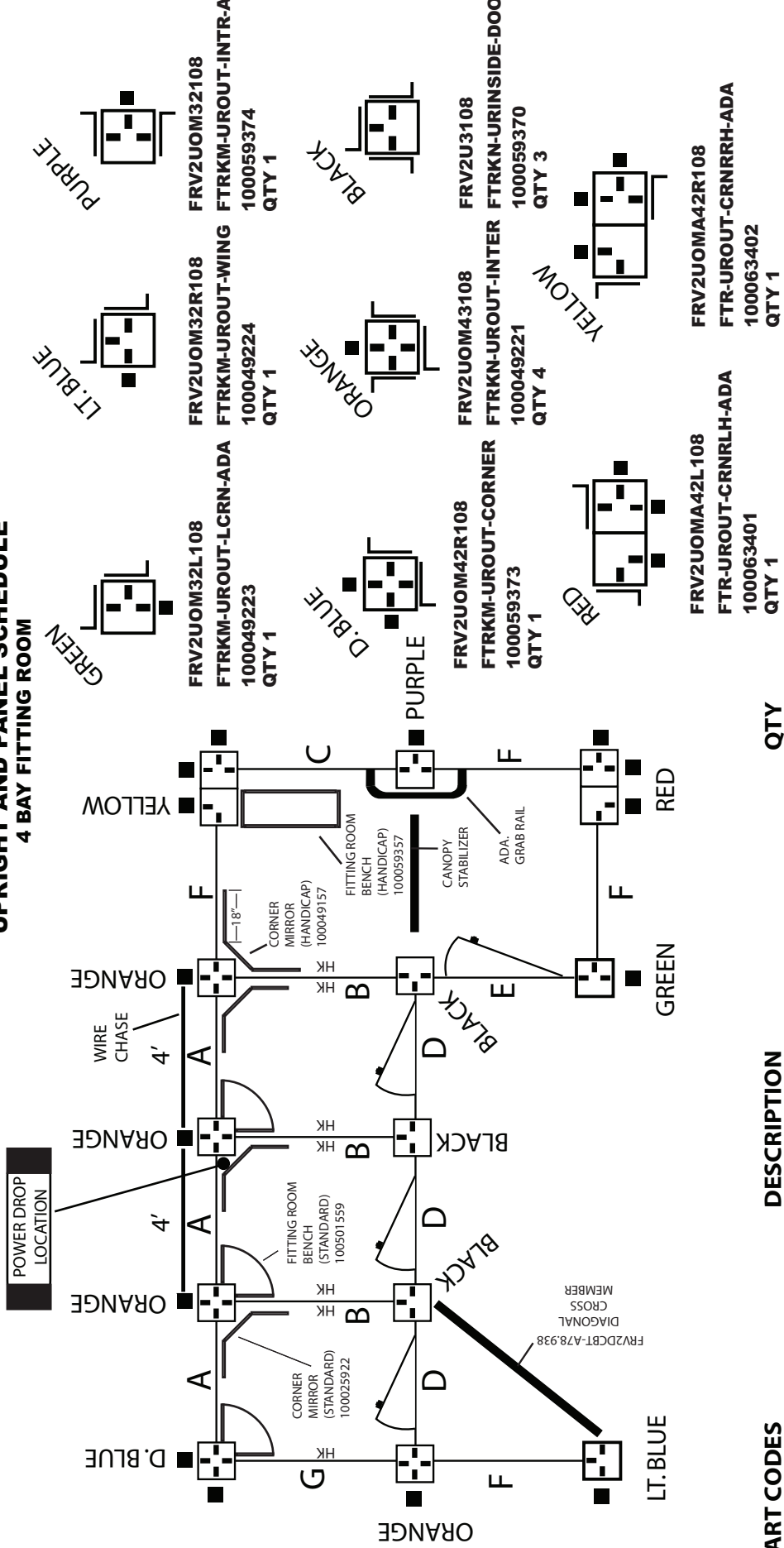


INCORRECT



P.O. BOX 729 TERRELL, TEXAS 75160
972-563-5574 / 800-776-2349

UPRIGHT AND PANEL SCHEDULE
4 BAY FITTING ROOM



PART CODES	DESCRIPTION	QTY
(A) FRV2P48108 (WM LEGACY #) FTR4BAY-PNL48X108-KM-RS	4' OUTSIDE PANELS (WM SAP #) 100049187	3
(B) FRV2PH260108 (WM LEGACY #) FTRKM-DBLHKPNL	5' INT. PANELS W/ 2 HOOKS (WM SAP #) 100025957	3
(C) FRV2PGR60108 (WM LEGACY #) FTRKM-GBPNL-ADA	OUTSIDE PANEL W/ GRAB RAIL (WM SAP #) 100049209	1
(D) FRV2PD3248108 (WM LEGACY #) FTRBAYKMSTD-PNLWDOOR	DOOR FRAME W/ 32" DOOR RH (WM SAP #) 100025953	3
(E) FRV2PD3660108RO (WM LEGACY #) FTRKM-ADA-RTDOOR	ADA DOOR FRAME 36" DOOR RH OFFSET (WM SAP #) 100025955	1
(F) FRV2P60108 (WM LEGACY #) FTR4BAY-PNL60X108-KM-RS	5' INT. PANELS NO HOOKS (WM SAP #) 100049192	4
(G) FRV2PH160108 (WM LEGACY #) FTRKM-SNGLHKPNL	5' INT. PANELS W/ 1 HOOK (WM SAP #) 100025958	1

HK = COAT HOOK LOCATION

■ = (MADIX #) FRV2OT10896, (WM LEGACY #) FTRKM-OUT, (WM SAP#) 100049213 (QTY 15)

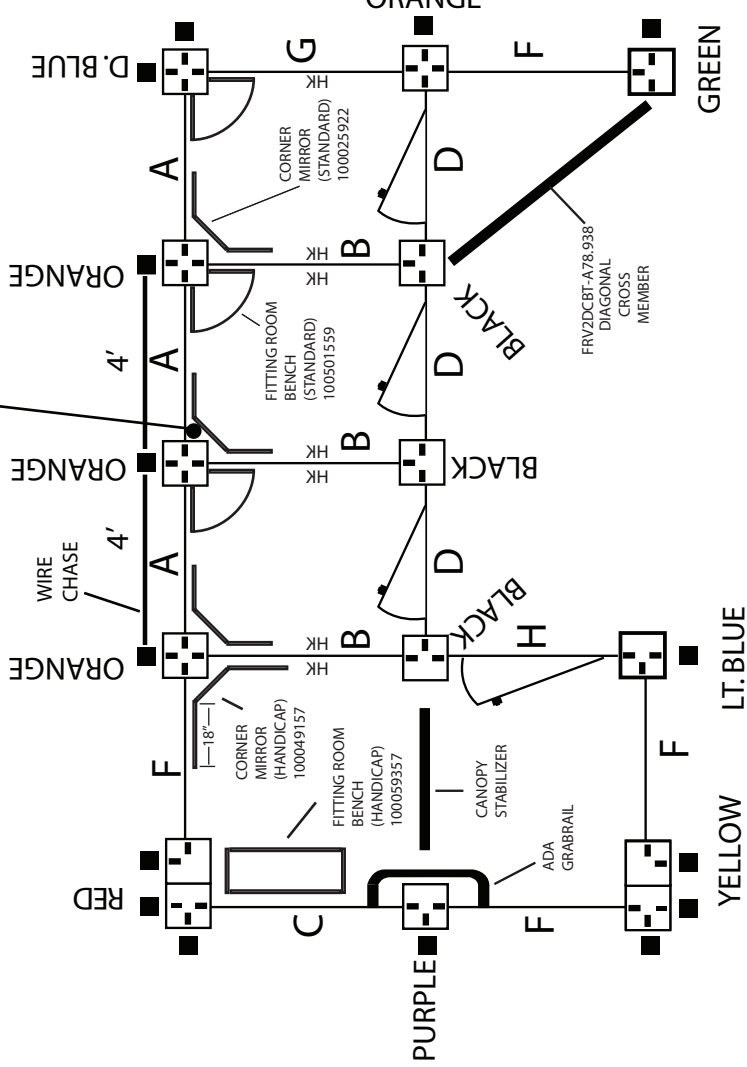
****WARNING****
DOOR FRAMES MUST BE
LEVELED AND SQUARED BEFORE
ANCHORING INTO FLOOR

****WARNING****
PANELS AND DOORS MUST BE
RE-LEVELED AND SQUARED IF
THEY ARE MOVED AT ANY TIME
DURING INSTALLATION.

madix™
STORE FIXTURES
P.O. BOX 729 TERRELL, TEXAS 75160
972-563-5574 / 800-776-2349

ASY-80015981 PAGE 3 OF 20 REV.06
01/15/08 CAB ECM#50000008321

**UPRIGHT AND PANEL SCHEDULE
4 BAY FITTING ROOM (FLIPPED)**



- FRV2UOM32L108
FTRKM-JROUT-LCRN-ADA
100049223
QTY 1
- FRV2UOM32R108
FTRKM-JROUT-WING
100049224
QTY 1
- FRV2UOM32L108
FTRKM-JROUT-LCRN-ADA
100049223
QTY 1
- FRV2UOM32R108
FTRKM-JROUT-WING
100059374
QTY 1

- FRV2UOM42R108
FTRKM-JROUT-CORNER
100059373
QTY 1
- FRV2UOM43108
FTRKN-JROUT-INTER
100049221
QTY 4
- FRV2UOM42L108
FTR-JROUT-CRNRLH-ADA
100063401
QTY 1
- FRV2UOM42R108
FTR-JROUT-CRNRRH-ADA
100063402
QTY 1

- FRV2DCBT-A78-938
DIAGONAL
CROSS
MEMBER
- FRV2UOMA42L108
FTR-JROUT-CRNRLH-ADA
100063401
QTY 1
- FRV2UOMA42R108
FTR-JROUT-CRNRRH-ADA
100063402
QTY 1

PART CODES	DESCRIPTION	QTY
(A) FRV2P48108 (WM LEGACY #) FTR4BAYKN-PNLASSY	4' OUTSIDE PANELS (WM SAP #) 100049187	3
(B) FRV2PH260108 (WM LEGACY #) FTRKM-DBLHKPNL	5' INT. PANELS W/ 2 HOOKS (WM SAP #) 100025957	3
(C) FRV2PGR60108 (WM LEGACY #) FTRKM-GBPNL-ADA	OUTSIDE PANEL W/ GRAB RAIL (WM SAP #) 100049209	1
(D) FRV2PD3248108R (WM LEGACY #) FTRBAYKMSTD-PNLWDOOR	DOOR FRAME W/ 32" DOOR RH (WM SAP #) 100025953	3
(H) FRV2PD3660108LO (WM LEGACY #) FTRKN-ADA-LTDOOR	ADA DOOR FRAME 36" DOOR LH OFFSET (WM SAP #) 100025952	1
(F) FRV2P60108 (WM LEGACY #) FTR5BAYKN-PNLASSY	5' INT. PANELS NO HOOKS (WM SAP #) 100049192	4
(G) FRV2PH160108 (WM LEGACY #) FTRKM-SNGLHKPNL	5' INT. PANELS W/ 1 HOOK (WM SAP #) 100025958	1

HK = COAT HOOK LOCATION

■ = (MADIX #) FRV2OT10896, (WM LEGACY #) FTRKM-OUT, (WM SAP #) 100049213 (QTY 15)

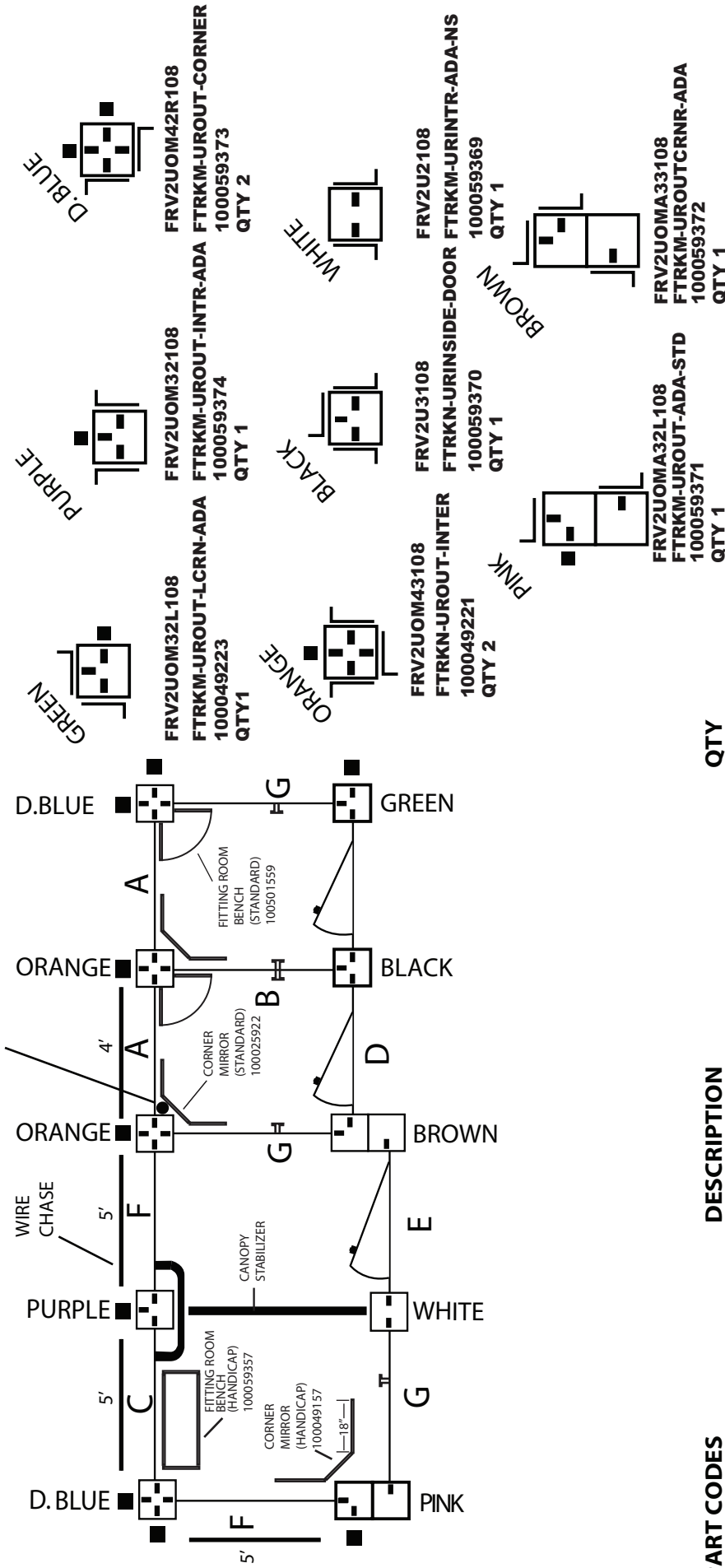
****WARNING****
DOOR FRAMES MUST BE
LEVELED AND SQUARED BEFORE
ANCHORING INTO FLOOR

****WARNING****
PANELS AND DOORS MUST BE
RE-LEVELED AND SQUARED IF
THEY ARE MOVED AT ANY TIME
DURING INSTALLATION.

madix™
STORE FIXTURES
P.O. BOX 729 TERRELL, TEXAS 75160
972-563-5574 / 800-776-2349

ASY-80015981 PAGE 4 OF 20 REV.06
01/15/08 CAB ECM#50000008321

UPRIGHT AND PANEL SCHEDULE
3 BAY FITTING ROOM



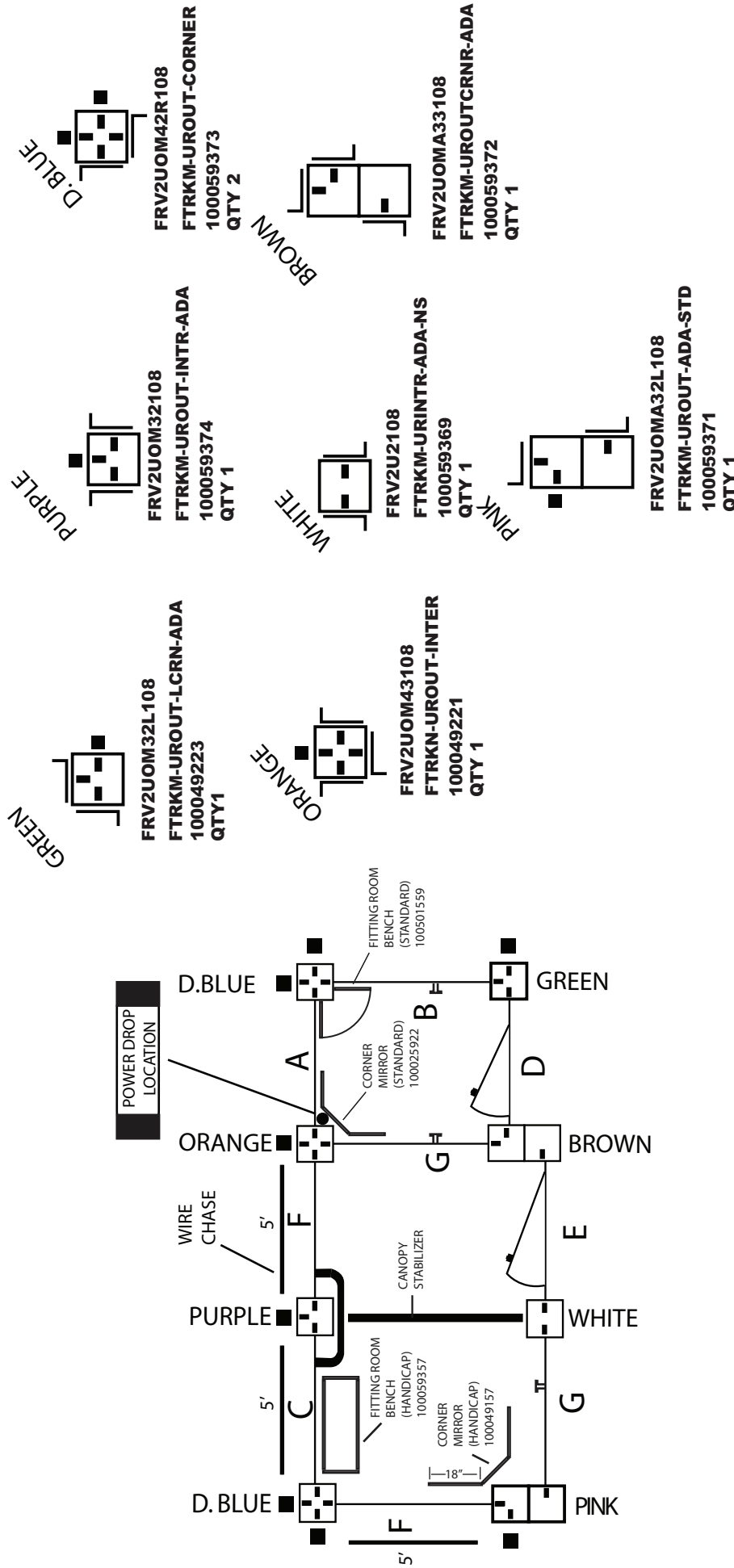
PART CODES	DESCRIPTION	QTY
(A) FRV2P48108 (WM LEGACY #) FTR4BAYKN-PNLASSY	4' OUTSIDE PANELS	2
(B) FRV2PH260108 (WM LEGACY #) FTRKM-DBLHKPNL	5' INT. PANELS W/ 2 HOOKS	1
(C) FRV2PGR60108 (WM LEGACY #) FTRKM-GBP NL-ADA	OUTSIDE PANEL W/ GRAB RAIL	1
(D) FRV2PD3248108R (WM LEGACY #) FTRBAYKMSTD-PNLWDOOR	DOOR FRAME W/ 32" DOOR RH	2
(E) FRV2PD3660108RO (WM LEGACY #) FTRKN-ADA-RTDOOR	ADA DOOR FRAME 36" DOOR RH OFFSET	1
(F) FRV2P60108 (WM LEGACY #) FTR5BAYKN-PNLASSY	5' INT. PANELS	2
(G) FRV2PH160108 (WM LEGACY #) FTRKM-SNGLHKPNL	5' INT. PANELS W/ 1 HOOK	3

****WARNING****
 DOOR FRAMES MUST BE
 LEVELED AND SQUARED BEFORE
 ANCHORING INTO FLOOR

****WARNING****
 PANELS AND DOORS MUST BE
 RE-LEVELED AND SQUARED IF
 THEY ARE MOVED AT ANY TIME
 DURING INSTALLATION.



**UPRIGHT AND PANEL SCHEDULE
2 BAY FITTING ROOM**



PART CODES	DESCRIPTION	QTY
(A) FRV2P48108 (WM LEGACY #) FTR4BAYKN-PNLASSY	4' OUTSIDE PANELS	1
(B) FRV2PGR60108	OUTSIDE PANEL W/ GRAB RAIL	1
(C) FRV2PGR60108	OUTSIDE PANEL W/ GRAB RAIL	1
(D) FRV2PD3248108R	DOOR FRAME W/ 32" DOOR RH	1
(E) FRV2PD3660108RO	ADA DOOR FRAME 36" DOOR RH OFFSET	1
(F) FRV2P60108	5' INT. PANELS	2
(G) FRV2PH160108	5' INT. PANELS W/ 1 HOOK	3
(H) FRV2PH160108	5' INT. PANELS W/ 1 HOOK	3

****WARNING****
DOOR FRAMES MUST BE
LEVELED AND SQUARED BEFORE
ANCHORING INTO FLOOR

****WARNING****
PANELS AND DOORS MUST BE
RE-LEVELED AND SQUARED IF
THEY ARE MOVED AT ANY TIME
DURING INSTALLATION.

GREEN

PURPLE

D.BLUE

FRV2UOM32L108
FTRKM-UR-OUT-LCRN-ADA
100049223
QTY 1

FRV2UOM32108
FTRKM-UR-OUT-INTR-ADA
100059374
QTY 1

FRV2UOM42R108
FTRKM-UR-OUT-CORNER
100059373
QTY 2

ORANGE

BROWN

WHITE

FRV2U2108
FTRKM-UR-INTR-ADA-NS
100059369
QTY 1

FRV2UOMA33108
FTRKM-UR-OUTCRNR-ADA
100059372
QTY 1

FRV2UOM43108
FTRKN-UR-OUT-INTER
100049221
QTY 1

FRV2UOMA32L108
FTRKM-UR-OUT-ADA-STD
100059371
QTY 1

QTY

madix™
STORE FIXTURES
P.O. BOX 729 TERRELL, TEXAS 75160
972-563-5574 / 800-776-2349

ASY-80015981 PAGE 6 OF 20 REV.06
01/15/08 CAB ECM#50000008321

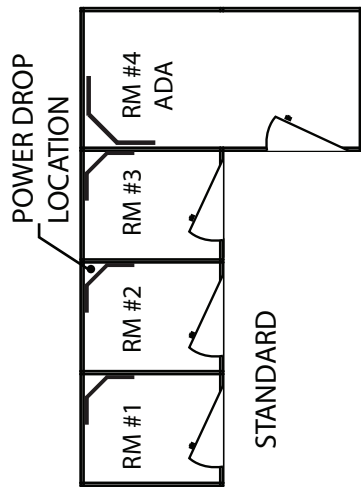
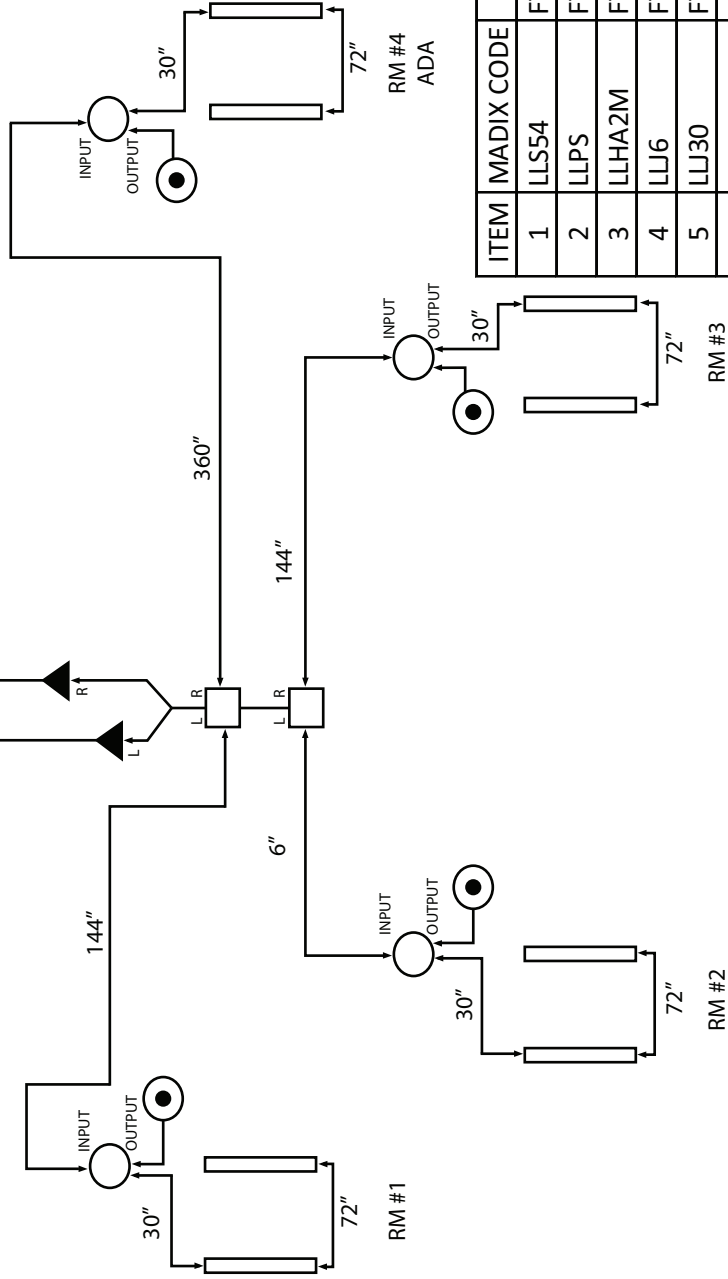
■ = (MADIX #) FRV2OT10896 (WM LEGACY #) FTRKM-OUT (WM SAP #) 100049213 (QTY 8)

**WIRING SCHEDULE
4 BAY FITTING ROOM
STANDARD**

POWER DROP
INTO ROOM # 2

NOTE: INSURE DIMMING CONTROLLERS ARE CONNECTED PROPERLY PERTAINING TO THE INPUT AND OUTPUT AS SHOWN.

NOTE: INSURE JUMPERS ARE CONNECTED TO THE PROPER SIDES OF THE HARNESS MODULES LABELED "L" AND "R" AS SHOWN.



= 54" LED LIGHT
 = POWER SUPPLY
 = MODULE HARNESS
 = DIMMING CONTROL
 = MOTION SENSOR

ITEM	MADIX CODE	WM LEGACY #	WM SAP #	QTY
1	LLS54	FTR3WLM-LLS54	100025910	8
2	LLPS	FTR3WLM-LLPS	100025909	2
3	LLHA2M	FTR3WLM-LLHA	100025902	1
4	LLJ6	FTR3WLM-LLJ6	100025906	1
5	LLJ30	FTR3WLM-LLJ30	100025904	4
6	LLJ72	FTR3WLM-LLJ72	100025907	4
7	LLJ144	FTR3WLM-LLJ144	100025903	2
8	LLJ360	FTR3WLM-LLJ360	100025905	1
9	LLDC	FTR3WLM-LLDC	100025901	4
10	LLMS	FTR3WLM-LLMS	100025908	4
11	FRV2WC-48	FTR4BAYKM-WC48	100025932	2

madix™
STORE FIXTURES
 P.O. BOX 729 TERRELL, TEXAS 75160
 972-563-5574 / 800-776-2349

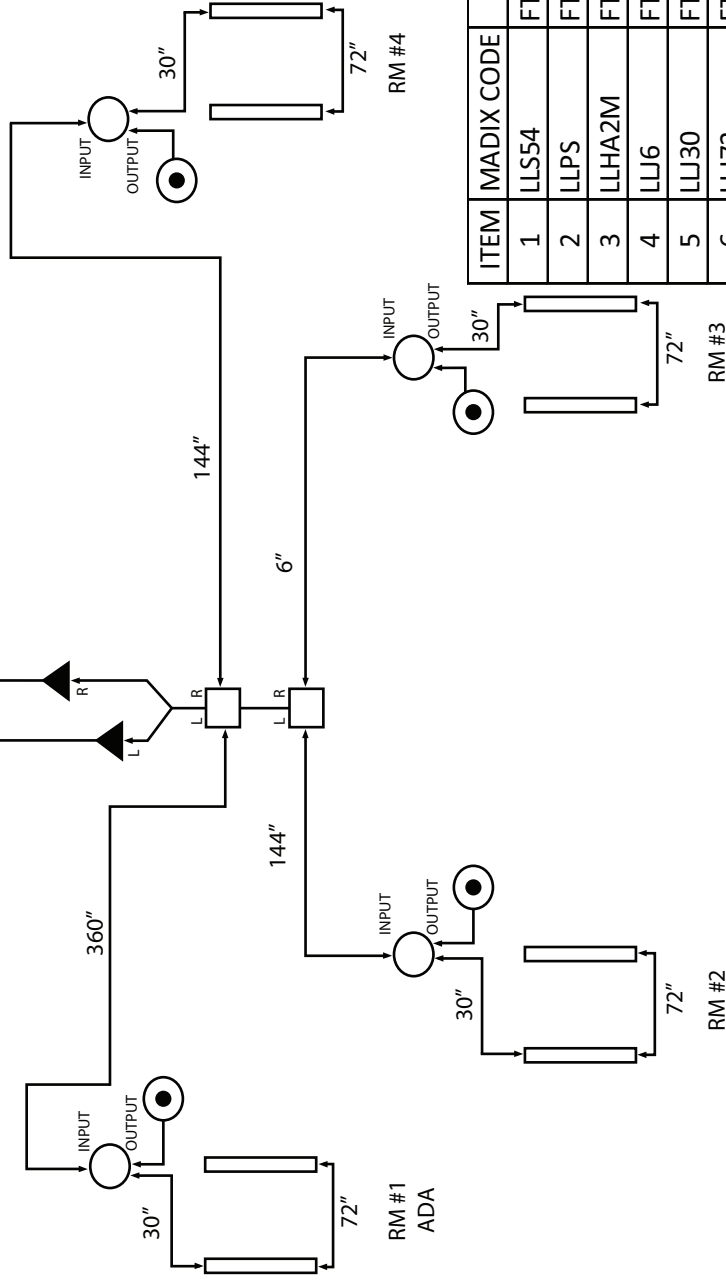
ASY-80015981 PAGE 7 OF 20 REV. 06
 01/15/08 CAB ECM#50000008321

**WIRING SCHEDULE
4 BAY FITTING ROOM
FLIPPED**

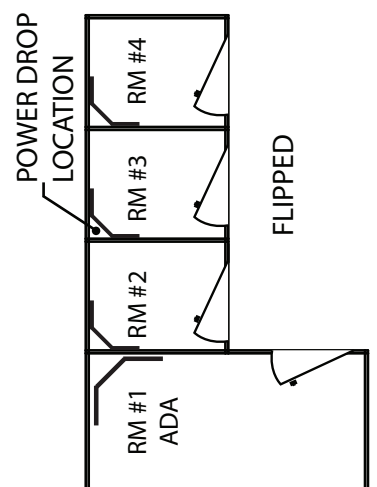
POWER DROP
INTO ROOM # 3

NOTE: INSURE DIMMING CONTROLLERS ARE CONNECTED PROPERLY PERTAINING TO THE INPUT AND OUTPUT AS SHOWN.

NOTE: INSURE JUMPERS ARE CONNECTED TO THE PROPER SIDES OF THE HARNESS MODULES LABELED "L" AND "R" AS SHOWN.



= 54" LED LIGHT
 = POWER SUPPLY
 = MODULE HARNESS
 = DIMMING CONTROL
 = MOTION SENSOR



ITEM	MADIX CODE	WM LEGACY #	WM SAP #	QTY
1	LLS54	FTR3WLM-LLS54	100025910	8
2	LLPS	FTR3WLM-LLPS	100025909	2
3	LLHA2M	FTR3WLM-LLHA	100025902	1
4	LLJ6	FTR3WLM-LLJ6	100025906	1
5	LLJ30	FTR3WLM-LLJ30	100025904	4
6	LLJ72	FTR3WLM-LLJ72	100025907	4
7	LLJ144	FTR3WLM-LLJ144	100025903	2
8	LLJ360	FTR3WLM-LLJ360	100025905	1
9	LLDC	FTR3WLM-LLDC	100025901	4
10	LLMS	FTR3WLM-LLMS	100025908	4
11	FRV2WC-48	FTR4BAYKM-WC48	100025932	2

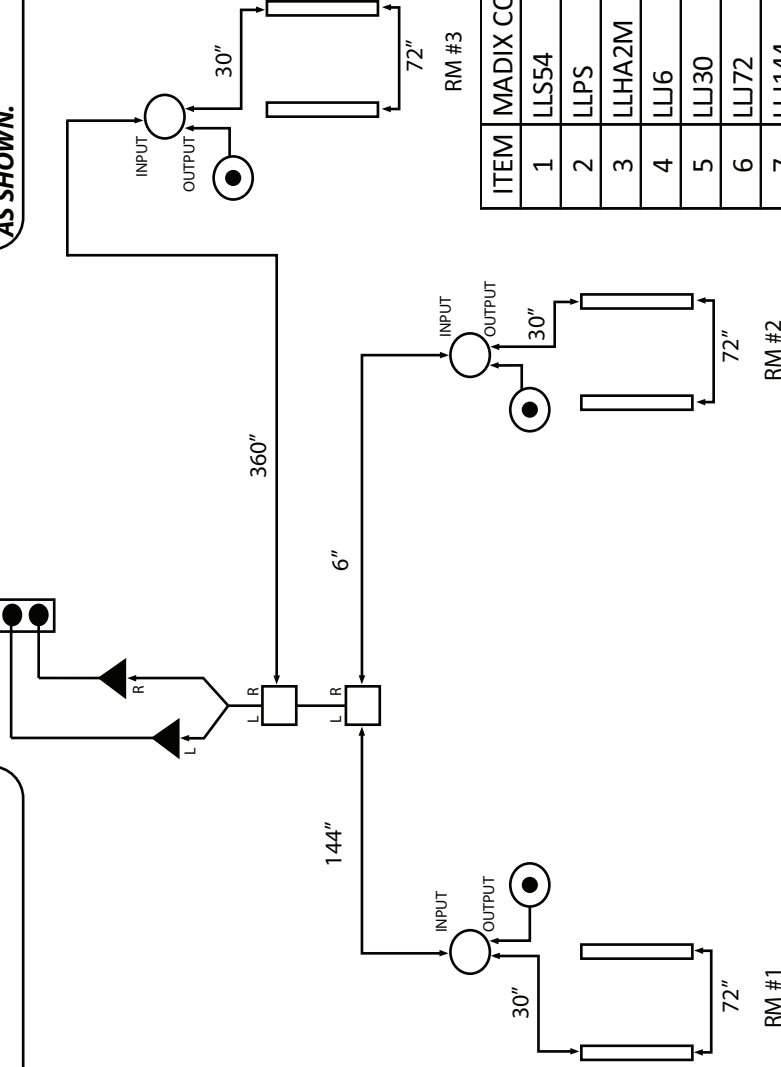
madix™
STORE FIXTURES
 P.O. BOX 729 TERRELL, TEXAS 75160
 972-563-5574 / 800-776-2349
ASY-80015981
 01/15/08 CAB
 PAGE 8 OF 20 REV.06
 ECM#50000008321

WIRING SCHEDULE 3 BAY FITTING ROOM

POWER DROP
INTO ROOM # 2

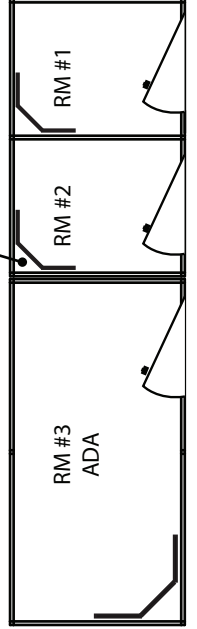
NOTE: INSURE DIMMING CONTROLLERS ARE CONNECTED PROPERLY PERTAINING TO THE INPUT AND OUTPUT AS SHOWN.

NOTE: INSURE JUMPERS ARE CONNECTED TO THE PROPER SIDES OF THE HARNESS MODULES LABELED "L" AND "R" AS SHOWN.



= 54" LED LIGHT
 = POWER SUPPLY
 = MODULE HARNESS
 = DIMMING CONTROL
 = MOTION SENSOR

POWER DROP
LOCATION



ITEM	MADIX CODE	WM LEGACY #	WM SAP #	QTY
1	LLS54	FTR3WLM-LLS54	100025910	6
2	LLPS	FTR3WLM-LLPS	100025909	2
3	LLHA2M	FTR3WLM-LLHA	100025902	1
4	LLJ6	FTR3WLM-LLJ6	100025906	1
5	LLJ30	FTR3WLM-LLJ30	100025904	3
6	LLJ72	FTR3WLM-LLJ72	100025907	3
7	LLJ144	FTR3WLM-LLJ144	100025903	1
8	LLJ360	FTR3WLM-LLJ360	100025905	1
9	LLDC	FTR3WLM-LLDC	100025901	3
10	LLMS	FTR3WLM-LLMS	100025908	3
11	FRV2WC-48	FTR4BAYKM-WC48	100025932	1
12	FRV2WC-60	FTR4BAYKM-WC60	100025933	3

madix™

 STORE FIXTURES

 P.O. BOX 729 TERRELL, TEXAS 75160

 972-563-5574 / 800-776-2349

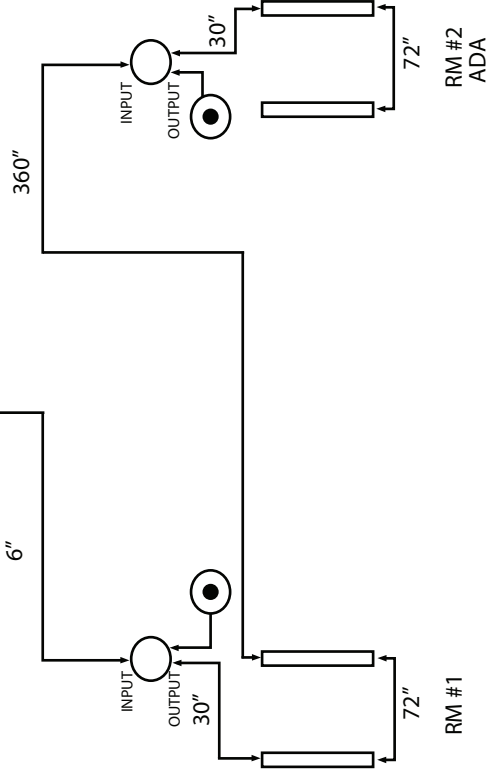
ASY-80015981 PAGE 9 OF 20 REV.06

 01/15/08 CAB ECM#50000008321

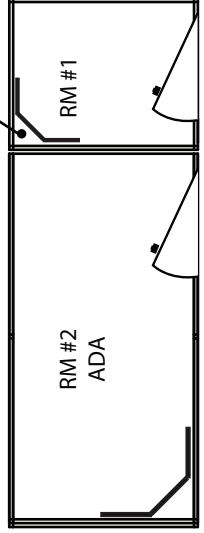
**WIRING SCHEDULE
2 BAY FITTING ROOM**

POWER DROP
INTO ROOM # 1

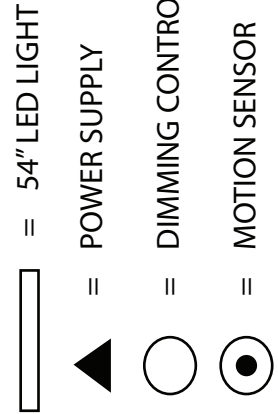
**NOTE: INSURE DIMMING CONTROLLERS ARE CONNECTED
PROPERLY PERTAINING TO THE INPUT AND OUTPUT
AS SHOWN.**



POWER DROP
LOCATION

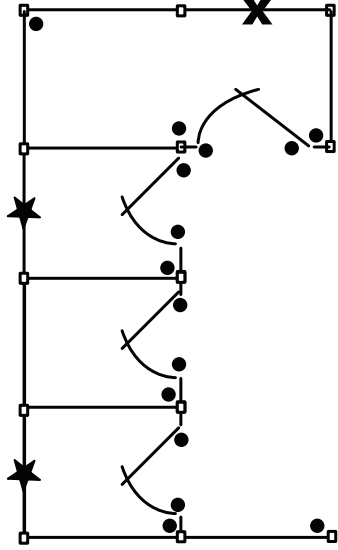


ITEM	MADIX CODE	WM LEGACY #	WM SAP #	QTY
1	LLS54	FTR3WLM-LLS54	100025910	4
2	LLPS	FTR3WLM-LLPS	100025909	1
3	LLJ6	FTR3WLM-LLJ6	100025906	1
4	LLJ30	FTR3WLM-LLJ30	100025904	2
5	LLJ72	FTR3WLM-LLJ72	100025907	2
6	LLJ360	FTR3WLM-LLJ360	100025905	1
7	LLDC	FTR3WLM-LLDC	100025901	2
8	LLMS	FTR3WLM-LLMS	100025908	2
9	FRV2WC-60	FTR4BAYKM-WC60	100025933	3

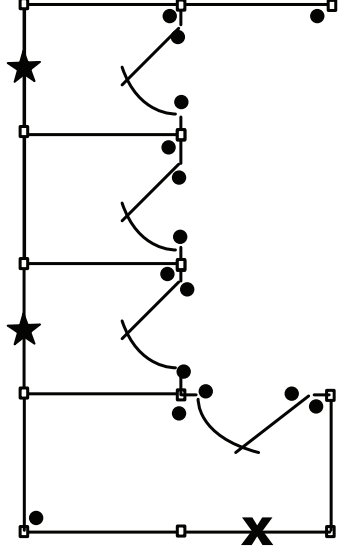


P.O. BOX 729 TERRELL, TEXAS 75160
972-563-5574 / 800-776-2349

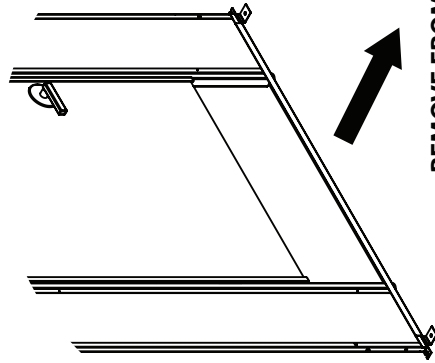
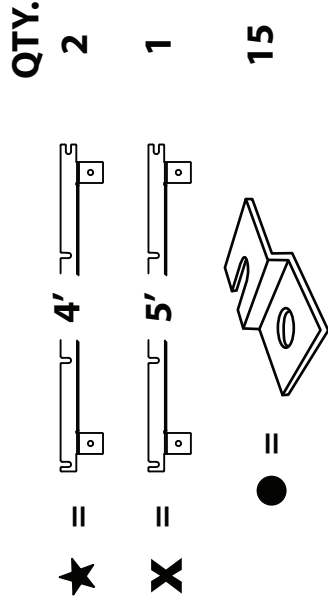
4-BAY ANCHOR SCHEDULE STANDARD AND FLIPPED



STANDARD



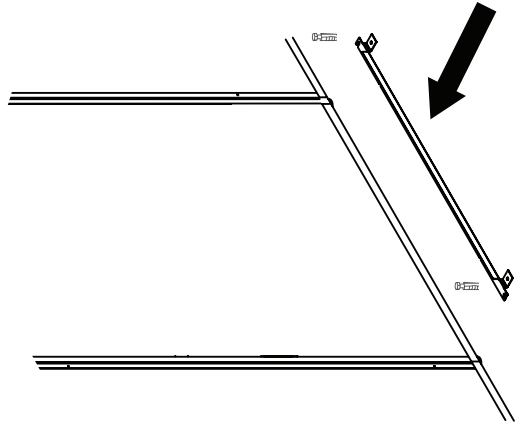
FLIPPED



REMOVE FROM DOOR
FRAME ONCE INSTALLED

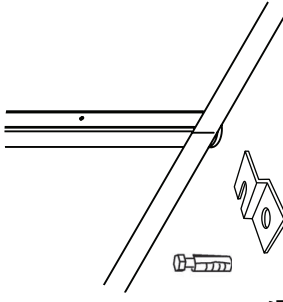
DO NOT THROW AWAY

1



FOLLOW ANCHOR SCHEDULE
TO DETERMINE WHERE ANCHORS
SHOULD BE APPLIED

2



ANCHOR REMAINING
UPRIGHTS USING
SINGLE ANCHORS

3



P.O. BOX 729 TERRELL, TEXAS 75160
972-563-5574 / 800-776-2349

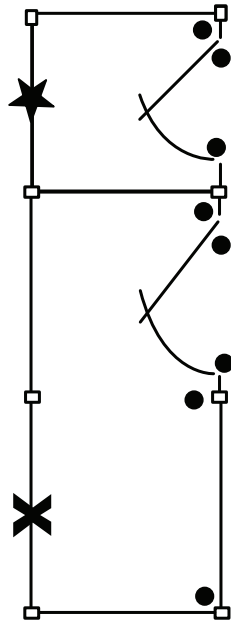
ASY-80015981

01/15/09 CAB

PAGE 11 OF 20 REV.06
ECM#50000008321

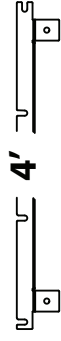
2-BAY

2-BAY AND 3-BAY ANCHOR SCHEDULE



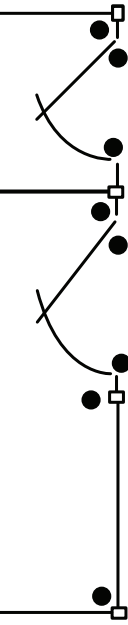
QTY.

1

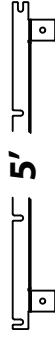


★ =

4'



1



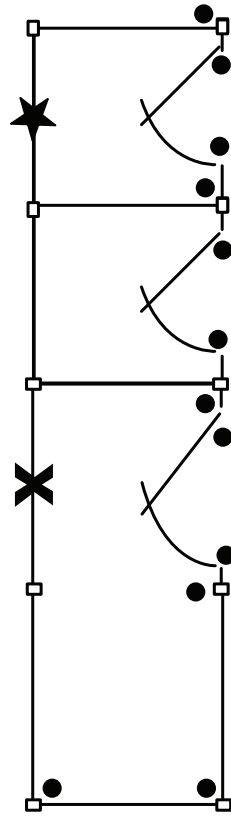
X =

5'



8

3-BAY



QTY.

1



★ =

4'

1

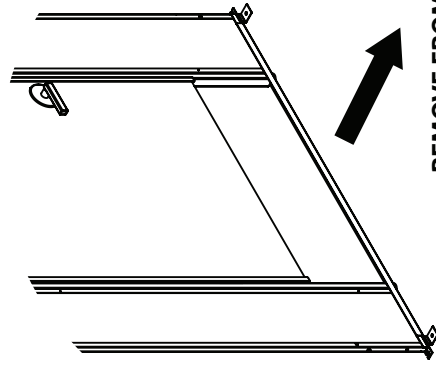


X =

5'

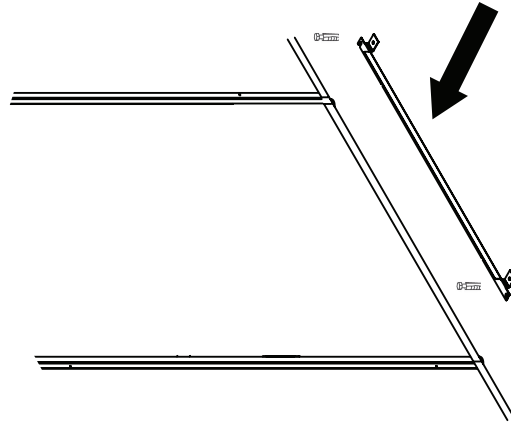


12



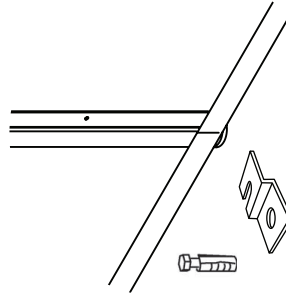
REMOVE FROM DOOR
FRAME ONCE INSTALLED

1



FOLLOW ANCHOR SCHEDULE
TO DETERMINE WHERE ANCHORS
SHOULD BE APPLIED

2



ANCHOR REMAINING
UPRIGHTS USING
SINGLE ANCHORS

3

madix[™]
STORE FIXTURES

P.O. BOX 729 TERRELL, TEXAS 75160
972-563-5574 / 800-776-2349

ASY-80015981

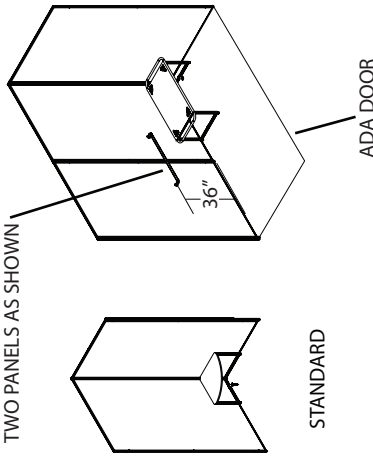
01/15/09 CAB

PAGE 12 OF 20 REV.06

ECM#50000008321

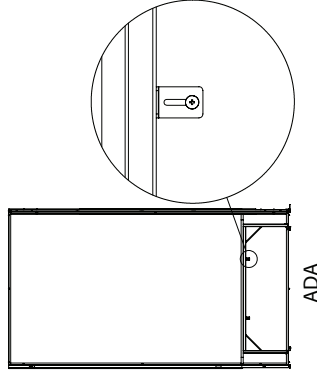
FITTING ROOM BENCHES, ADA GRABRAIL, AND HANGERS

CENTER GRAB RAIL ACROSS TWO PANELS AS SHOWN



Standard corner benches will be placed in the corner of the fitting room as shown in the diagrams on pg 1. Anchor benches to the floor using the tie down strap and anchor bolt provided.

ADA benches will sit against the rear corner shown. Once in place anchor to the floor using the tie down strap and anchor bolt. Also secure to the panel as shown.



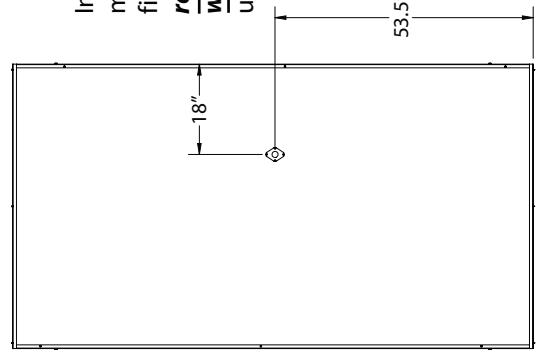
STANDARD

ADA

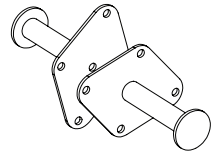
NOTE: Location of tie down strap is not critical

Install grab rail at height shown using the hardware provided by Madix. **Do not use hardware provided with the grabrail.** Rail will need to staddle two panels as shown 36" from the floor to the top of the rail.

Install hangers at height shown and 18" measuring away from the door of the fitting room. **Do not measure from the rear. Doing so could cause interference with the corner mirror.** See panel and upright schedule for hanger locations

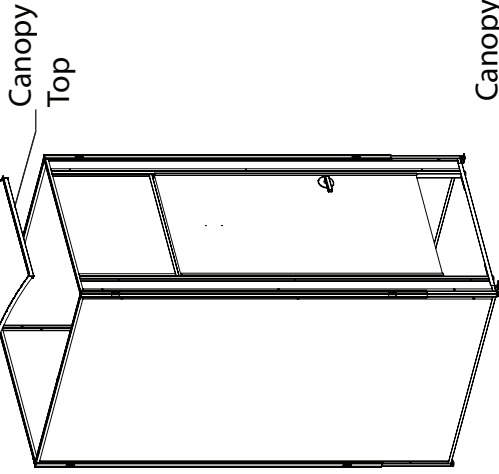


Alternate hangers 90 DEG to prevent hardware interference during installation.



ARCHED CANOPY ASSEMBLY

FRV2ACSB
WM LEGACY # FTRCANOPY-STD
WM SAP # 100059359

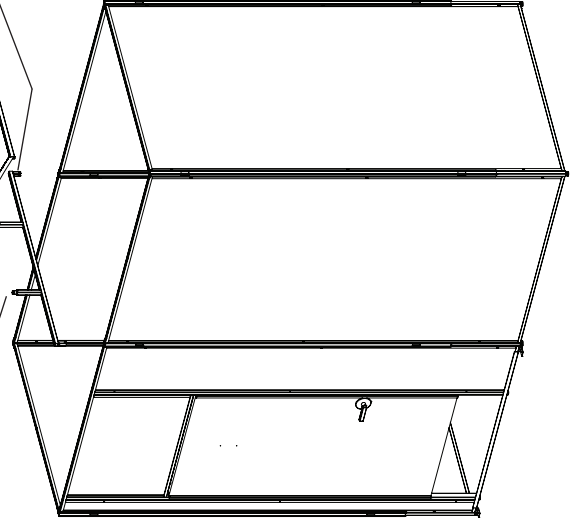


Arched canopies for the standard bay fitting rooms will rest centered on the tops of the frames as shown. Edges of the canopy will be set 6" from the inside of the wall panels. Once canopies are in place, secure the canopies to the panel using the hardware provided with the canopies.

STANDARD
Canopy Top

USE FRV2ACAB
WM LEGACY # FTRCANOPY-ADA
WM SAP # 100025954
FOR ENTIRE CANOPY. FOR HALF UNIT USE
FRV2ACAB46.63X60.3
FRV2ACAB-B5

Support Arm



Arched canopies for the ADA fitting rooms will rest centered on the tops of the frames as shown. Edges of the canopy will be set 6" from the inside of the wall panels. The canopy top will come in two pieces and the centers will rest inside the clips of the support arm. Once canopy tops are in place secure to the frames using the hardware provided with the canopy.



PO BOX 729 TERRELL, TEXAS 75160
972-563-5574 / 800-776-2349

ASY-80015981
01/15/09 CAB

ADA

PAGE 13 OF 20 REV.06
ECM#50000008321

FITTING ROOM MIRRORS STANDARD AND ADA

STEP 1



STEP 2



STEP 3



STEP 4A



STEP 4B



STEP 4C



STEP 5



NOTE: THE ROOM WHERE THE POWER DROPS INTO WILL NEED TO BE THE FIRST ROOM TO HAVE THE THREE WAY MIRROR INSTALLED. THIS WILL MAKE WIRING AND INSTALLATION OF OTHER FITTING ROOM MIRRORS EASIER.

NOTE: MAKE SURE THAT ALL PANELS ARE SQUARE AND LEVEL PRIOR TO INSTALLING MIRRORS.

STEP 1: Start installation by attaching the borrom corner,(the flat corner piece) to the bottom of the center frame using the screws provided. The center frame will have the "V"channels on both sides.

STEP 2: Flip frame over and install the top corner piece using the screws provided.

STEP 3: Place the provided plywood pieces in the corner of the fitting room where the mirror will be installed and place the mirror on top of them. Make sure the top and bottom of the frame is square and screw the frame into the side panels through holes located inside of the "V" channels.

STEP 4: Move plywood pieces out from under the center frame, but keep them against the side panel as shown in step 4A. Attach the left or right frame to the center frame by first screwing to the "V" channels as shown in 4B and then into the side panels as shown in 4C.

STEP 5: Remove plywood pieces as they are no longer needed. Frame assembly should now be hung in place as shown.



PO BOX 729 TERRELL, TEXAS 75160
972-563-5574 / 800-776-2349

ASY-80015981 PAGE 14 OF 20 REV.06
01/15/09 CAB ECM#50000008321

**FITTING ROOM MIRRORS
STANDARD AND ADA**

STEP 6



STEP 6: Install the motion sensor mount by hooking the slot on the bottom onto the rear flange on the top corner piece. Once the mount is in place screw it into the side panels.

STEP 7



STEP 7: Unscrew and remove the top corner from the center frame. This is needs to be done so that the wiring for the electrical components can be completed and will be reattached later in the assembly.

STEP 8B

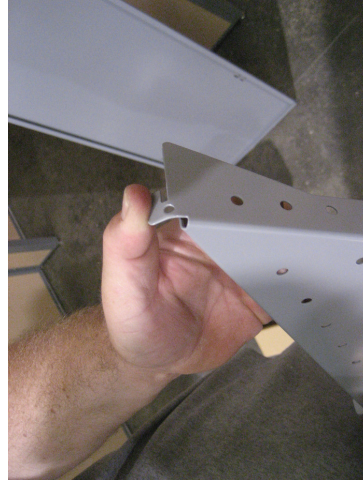


STEP 8: Hand bend the rear hooks on the electrical shelf as shown in 8A. Bend the rear hooks until the form a 90 deg angle with the backside of the shelf. Rotate and insert the shelf through the center frame as shown in 8B. Install the rear hooks into the slots located inside of the center frame as shown in 8C.

STEP 8C

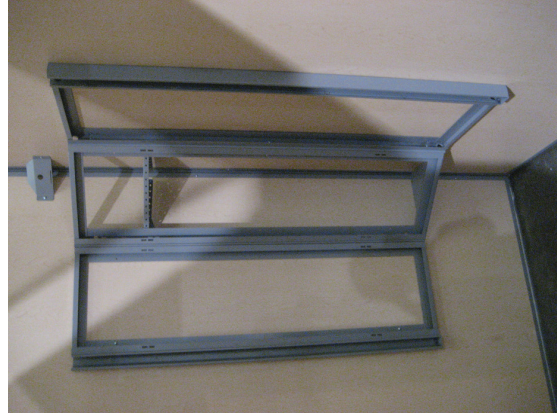


STEP 8A



STEP 9: Mirror frames will now look as shown and is ready for the electrical components and wiring to be installed.

STEP 9



PO. BOX 729 TERRELL, TEXAS 75160
972-563-5574 / 800-776-2349

FITTING ROOM MIRRORS STANDARD AND ADA

ALL LEDGE LIGHT COMPONENTS ARE UL LISTED, FILE #E332463

STEP 10A



STEP 10B



STEP 10: Install the motion sensor into the sensor mount. To do this remove the two plastic rings by unscrewing them from the sensor head as shown in 10A. Insert the sensor head from behind through the hole of the mount and reattach the two plastic rings to secure the motion sensor. See 10B.

NOTE: Be sure that the wire from the sensor is tilted to the left or right, clearing the slot on the mount. This will make installing the top corner piece easier.

STEP 11



STEP 11: The module harness, power supplies, and dimming controller will rest on the rear shelf of the center frame. If needed a second shelf can be inserted into the frame.

(NOTE: Only one room will have the power supplies and module harness inside of the frames.) Reference wiring diagram for wiring instructions. Run one 30" jumper cable through the large holes located at the top of the frames to either the left or right frame and into the light box at the end. At the bottom thread one 72" jumper cable through all frames using the large holes located at the bottom of the frame.

STEP 12A

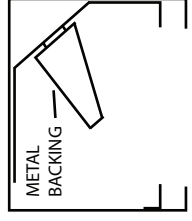


STEP 12: Plug the first led light at the top and bottom as shown in 12A and 12B. Center the led lights vertically inside of the light boxes and attach to the slanted surface on the back side of the light box using the magnets on the lights. Make sure that the long metal side faces towards the wooden side panels of the fitting to ensure that the lights will shine in the correct direction. Repeat process for the second light except that this light will only need to be plugged in at the bottom.

STEP 12B



STEP 12B



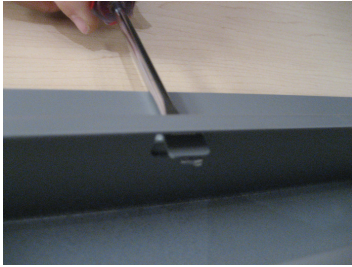
Madix™
STORE FIXTURES

PO. BOX. 729, TERRELL, TEXAS 75160
972-563-5574 / 800-776-2349

ASY-80015981 PAGE 16 OF 20 REV.06
01/15/09 CAB ECM#50000008321

FITTING ROOM MIRRORS STANDARD AND ADA

STEP 13A



STEP 13B



STEP 13: Using a flat head screwdriver bend the tabs on the light boxes, 13A, and on the mirror panels, 13B. Bend tabs close to 90 degrees but do not go over 90. Doing so can make installing the mirror frames and plex corners difficult.

STEP 14 A:



STEP 14: Remove the covers from the plex corners and insert from the top of the frames as shown in 14A. Corner pieces are flexible enough to be inserted in after the canopies have been installed. Corner pieces will rest on the bottom of the frames inside of the bent tabs as shown in 14B

STEP 15A:



STEP 15: Lay the mirror panels on a flat surface and insert the glass pieces from the top as shown in 15A. Starting with the center frame insert the mirror panels by inserting the bent tabs into the double slotting in the frame. Repeat process for the left and right frames.

NOTE: The panels will need to be held at the bottom and steadied with the other hand. The panel will have some weight to it after the glass has been inserted so be careful not to drop the mirror panel while installing.

STEP 15B



STEP 14B



PO. BOX. 729, TERRELL, TEXAS 75160
972-563-5574 / 800-776-2349

ASY-80015981 PAGE 17 OF 20 REV.06
01/15/09 CAB ECM#50000008321

FITTING ROOM MIRRORS STANDARD AND ADA

STEP 16 A:

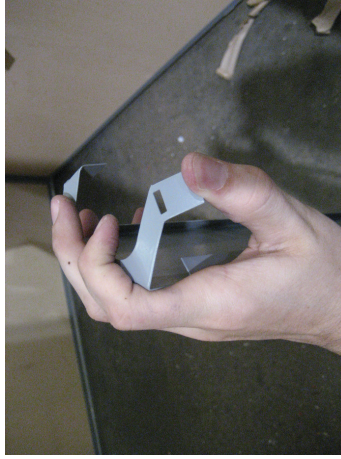


STEP 16 B:



STEP 16: Attach the top caps on the left and right frames using the sheet metal screws provided, 16A. Install the top corner piece by first inserting rear flange into the slot on the sensor mount then by securing to the center frame using the sheet metal screws provided, 16B.

STEP 17A:

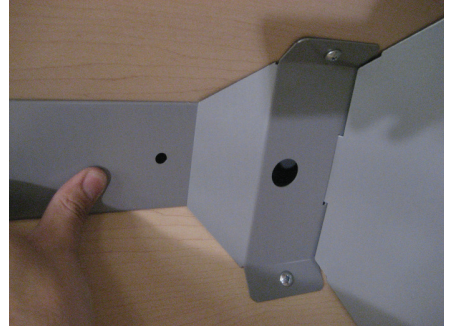


STEP 17: Install the vertical wire chase. Install by first bending the tabs down as shown in 17A, then hook tabs over the tops of the fitting room panels, 17B. Make sure that the wire chase slides down behind the sensor mount as shown in 17C. Make sure that all wires are bundled behind the wire chase.

STEP 17B:



STEP 17C:

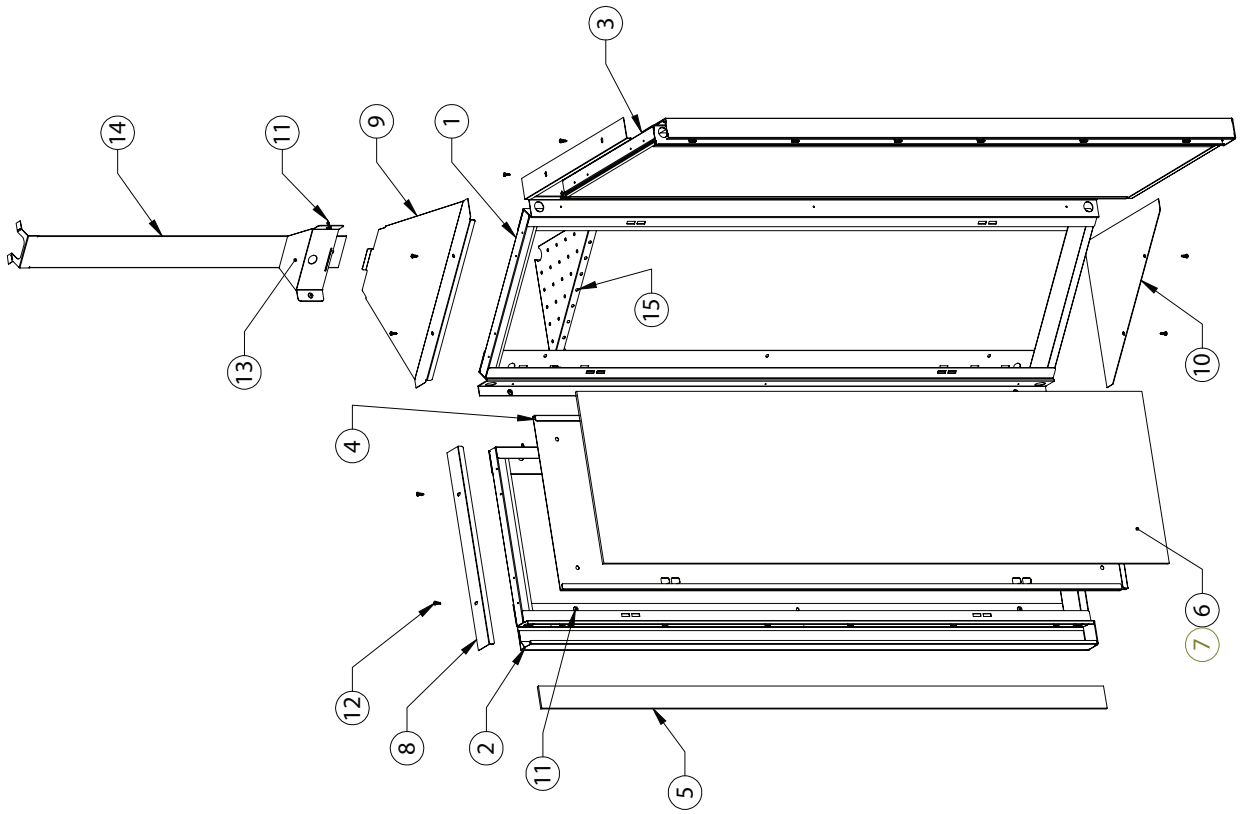


ASSEMBLY COMPLETE



PO. BOX. 729, TERRELL, TEXAS 75160
972-563-5574 / 800-776-2349

3-WAY CORNER MIRROR
 MADIX # FRV2MF3WCM5L WM SAP # 100025922
 MADIX # FRV2MF3WCMHL WM SAP # 100049157



ITEM	DESCRIPTION	MADIX #	WM LEGACY #	WM SAP #
1	MOUNTING FRAME, C	FRV2MF3WCM-MF14	-NA-	-NA-
		FRV2MF3WCM-MF18	-NA-	100049212
2	MOUNTING FRAME, L	FRV2MF3WCM-LBL	FTR3WLM-LBL-RS	100049165
		FRV2MF3WCM-LBH-L	-NA-	-NA-
3	MOUNTING FRAME, R	FRV2MF3WCM-LBR	FTR3WLM-LBR-RS	100049175
		FRV2MF3WCM-LBH-R	-NA-	-NA-
4	MIRROR FRAME	FRV2MF3WCM-MFR14	FTR3WLM-MIRFRM-14-RS	100508153
		FRV2MF3WCM-MFR18	FTR3WLM-MIRFRM-18-RS	100049173
5	MIRROR PLEX	FRV2ACR1.94x55.00	FTR3WLM-DIFUSELENS	100059347
6	MIRROR 19x55	FRV2-SM19x55	FTR3WLM-SFTYMIR-ADA	100059354
7	MIRROR 15x55	FRV2-SM15x55	FTR3WLM-SAFETYMIRROR	100059351
		FRV2MF3WCM-SC14	FTR3WLM-SC14	100059352
8	SIDE CAP	FRV2MF3WCM-SC18	FTR3WLM-SC18	100059353
		FRV2MF3WCM-CT14	FTR3WLM-CT14-RS	100059345
9	CORNER, TOP	FRV2MF3WCM-CT18	FTR3WLM-CT18-RS	100059346
		FRV2MF3WCM-CB14	FTR3WLM-CB14-STD-RS	100049159
10	CORNER, BOTTOM	FRV2MF3WCM-CB18	FTR3WLM-CB18-ADA-RS	100049160
11	HARDWARE	3595217	FTR3WLM-CRNMIRHDWR	100059344
12	SENSOR MOUNT	FRV2MF3WCM-SM	FTR3WLM-SM-1	100049180
13	VERTICAL WIRECHASE	FRV2MF3WCM-VWC	FTR3WLM-VWC	100049225
		FRV2MF3WCM-TSS	FTR3WLM-TS-STD	100049183
15	TRANSFORMER SHELF	FRV2MF3WCM-TSH	FTR3WLM-TS-ADA	100049182



PO BOX 729 TERRELL TEXAS 75160
 972-563-5574 / 800-776-2349

OUTSIDE SLOTTED TUBE ASSEMBLY

(FRV2OT10896 WM # FTRKM-OUT)



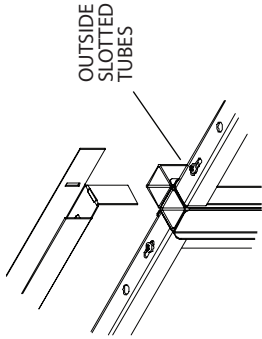
REFER TO THE UPRIGHT SCHEDULES ON PAGE 3 FOR OUTER SLOTTED TUBE (FRVOT10896) LAYOUT DETAILS.

FRV2OT10896
(WM #
FTRKM-OUT)

INSERT RIVETS ON OUTER TUBE INTO THE KEYSLOTS ON UPRIGHT AND LOCK INTO PLACE WITH RUBBER MALLET.

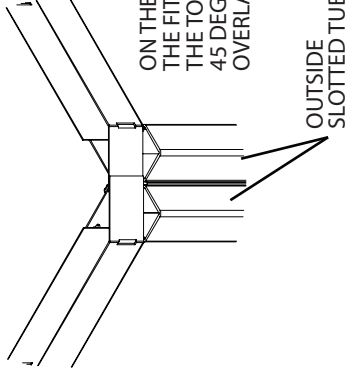
SLOTTING SHOULD ALWAYS GO TO THE FLOOR. ALWAYS MOUNT OUTER TUBE TO UPRIGHT WITH UNSLOTTED AREA AT TOP.

WIRE CHASE ASSEMBLY



HAND BEND BOTTOM TABS DOWN 90 DEG. AND INSERT WIRE CHASES INTO THE OUTER SLOTTED TUBES.

FRV2WC-48, 48" WIRE CHASE
FRV2WC-60, 60" WIRE CHASE



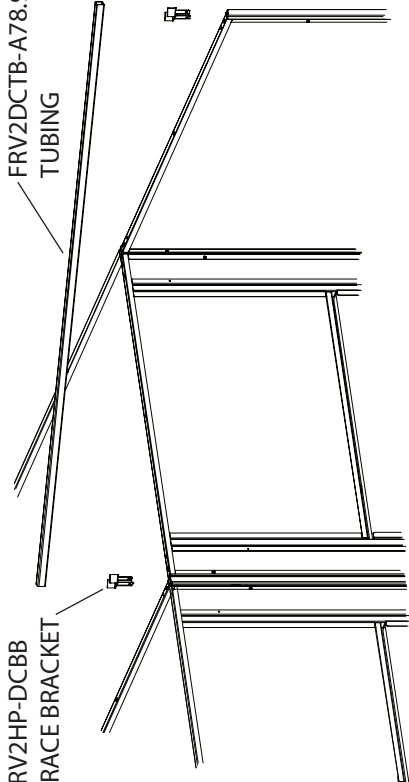
ON THE OUTSIDE CORNERS OF THE FITTING ROOM HAND BEND THE TOP TABS TO APPROXIMATELY 45 DEGS. THE TOP TABS WILL OVERLAP EACH OTHER AS SHOWN.

OUTSIDE SLOTTED TUBES

DIAGONAL CORNER BRACE ASSEMBLY

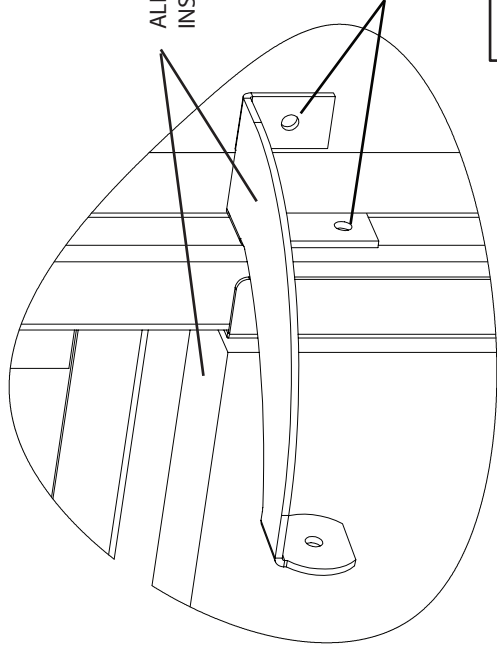
FRV2HP-DCBB
BRACE BRACKET

FRV2DCTB-A78.938
TUBING



INSERT THE FRV2HP-DCBB, CORNER BRACE BRACKETS, INTO THE TOPS OF THE UPRIGHTS. LOWER THE FRV2DCTB-A78.938 TUBING INSIDE THE BRACKETS. SECURE THE TUBING TO THE BRACKETS USING (1) 3/4" TEK SCREW AT EACH END.

DOOR STOP ASSEMBLY



ALIGN FLUSH WITH TOP OF DOOR ON INSIDE OF FITTING ROOM

ATTACH TO PANEL AND TUBING USING HARDWARE PROVIDED

MadixTM
DOOR STORE FIXTURES

P.O. BOX 729 TERRELL, TEXAS 75160
972-563-5574 / 800-776-2349

ASY-80015981 PAGE 20 OF 20 REV. 06
01/15/09 CAB ECM#50000009321

ITEM	PART #'S		DESCRIPTION	QTY			ON PALLET? OR IN CARTON?
	MADIX	WM		4-BAY*	3-BAY	2-BAY	
1	FRV2P60108	100049192	60" WALL PANEL	9	8	7	
2	FRV2P48108	100049187	48" WALL PANEL	3	2	1	
3**	FRV2PD3660108RO	100025955	60" ADA DOOR PANEL	1	1	1	
4	FRV2PD3248108R	100025953	48" DOOR PANEL	3	2	1	
5***	FRV2ACAB	100025954	ADA CANOPY (COMES IN 2 HALVES)	1	1	1	
6	FRV2ACSB	100059359	STANDARD CANOPY	3	2	1	
7	HARDWARE/MISC CARTON	-NA-	CARTON FOR ITEMS 10-18	1	1	1	
8	OUTER TUBING CARTON	-NA-	CARTON FOR ITEM 19	1	1	1	
9	UPRIGHT TUBING CARTON	-NA-	CARTON FOR ITEMS 20-30	1	1	1	
10	FRV2HP-CAF	100059362	CORNER ANCHOR	15	12	8	
11	1037092	-NA-	#10 x 3/4" TEK SCREW, PAN HEAD	8	2	1	
12	1020694	-NA-	1/4 x 2 HILTI ANCHOR BOLT	15	12	8	
13	FRV2HP-DCBB	100503736	FRV2 CORNER BRACE BRACKET	2	0	0	
14	FRV2DCTB-A78.938	100059364	FRV2 CORNER BRACE TUBE	1	0	0	
15	FRV2PI	-NA-	FRV2 PANEL INSTALLERS	2	2	2	
16	FRV2CH	100501734	FRV2, CLOTHES HANGER	7	5	3	
17	1009050	100049216	SCREW, SMS, TRUSS, # 10 x 5/8	34	26	19	
18	1035156	-NA-	ADA GRAB RAIL	1	1	1	
19	FRV2OT10896	100049213	FRV2, OUTSIDE TUBE	15	9	8	
20	FRV2UOM32L	100049223	GREEN LABELED UPRIGHT	1	1	1	
21	FRV2UOM32R	100049224	LIGHT BLUE LABELED UPRIGHT	1	0	0	
22	FRV2UOM32	100059374	PURPLE LABELED UPRIGHT	1	1	1	
23	FRV2UOM42R	100059373	DARK BLUE LABELED UPRIGHT	1	2	2	
24	FRV2UOM43	100049221	ORANGE LABELED UPRIGHT	4	2	1	
25	FRV2U3	100059370	BLACK LABELED UPRIGHT	3	1	0	
26	FRV2U2	100059369	WHITE LABELED UPRIGHT	0	1	1	
27	FRV2UOMA32L	100059371	PINK LABELED UPRIGHT	0	1	1	
28	FRV2UOMA33	100059372	BROWN LABELED UPRIGHT	0	1	1	
29	FRV2UOMA42L	100063401	RED LABELED UPRIGHT	1	0	0	
30	FRV2UOMA42R	100063402	YELLOW LABELED UPRIGHT	1	0	0	

* QTY'S FOR A 4-BAY AND 4-BAY FLIPPED ARE THE SAME

** 4-BAY FLIPPED WILL COME WITH FRV2PD3660109LO, WM # 100025952

*** ADA CANOPY WILL BE SHIPPED IN 2 HALVES



STORE FIXTURES

P.O. BOX 729 TERRELL, TEXAS 75160

972-563-5544 / 800-776-2349

CHECKLIST

PAGE 1 OF 2

ITEM	PART #S		DESCRIPTION	QTY	ON PALLET? OR IN CARTON?
	MADIX	WM			
1	FRV2MF3WCM-LBH-L	-NA-	ADA MIRROR LH FRAME	1	1
2	FRV2MF3WCM-LBH-R	-NA-	ADA MIRROR RH FRAME	1	1
3	FRV2MF3WCM-MF18	100049212	ADA MIRROR CENTER	1	1
4	FRV2MF3WCM-LBL	100049165	STD MIRROR LH FRAME	3	2
5	FRV2MF3WCM-LBR	100049175	STD MIRROR RH FRAME	3	2
6	FRV2MF3WCM-MF14	-NA-	STD MIRROR CENTER	3	2
7**	FRV2SRCB-1	100501559	STD CORNER BENCH	3	2
8	FRV2HRB	100059357	ADA BENCH	1	1
9**	FRV2ACR1.94x55.00	100059347	MILK PLEX STRIPS	8	6
10	LIGHTING COMPONENT CARTON	-NA-	CARTON FOR ITEMS 13-24	1	1
11	MIRROR COMPONENT CARTON	-NA-	CARTON FOR ITEMS 25-35	1	1
12	GLASS CRATE	-NA-	CRATE FOR ITEMS 36-37	1	1
13	LLS54	100025910	MIRROR LIGHTS	8	6
14	LLPS	100025909	MIRROR POWER SUPPLY	2	2
15	LLHA2M	100025902	MIRROR 2 MODULE HARNESS	1	1
16	LLJ6	100025906	6" JUMPER	1	1
17	LLJ30	100025904	30" JUMPER	4	3
18	LLJ72	100025907	72" JUMPER	4	3
19	LLJ144	100025903	144" JUMPER	2	1
20	LLJ360	100025905	360" JUMPER	1	1
21	LLDC	100025901	DIMMING CONTROL	4	3
22	LLMS	100025908	MOTION SENSOR	4	3
23	FRV2WC-48	100025932	48" WIRE CHASE	2	1
24	FRV2WC-60	100025933	60" WIRE CHASE	0	3
25	FRV2MF3WCM-SC14-1	100059352	STD MIRROR SIDE CAP	6	4
26	FRV2MF3WCM-SC18-1	100059353	ADA MIRROR SIDE CAP	2	2
27	FRV2MF3WCM-CT14-1	100059345	STD MIRROR CORNER TOP	3	2
28	FRV2MF3WCM-CT18-1	100059346	ADA MIRROR CORNER TOP	1	1
29	FRV5MF3WCM-CB14-1	100049159	STD MIRROR CORNER BOTTOM	3	2
30	FRV5MF3WCM-CB18-1	100049160	ADA MIRROR CORNER BOTTOM	1	1
31	FRV2MF3WCM-SM-1	100049180	CORNER MIRROR SENSOR MOUNT	1	1
32	FRV2MF3WCM-VWC-1	100049225	CORNER MIRROR WIRE CHASE	1	1
33	FRV2MF3WCM-TSS	100049183	STD TRANSFORMER SHELF	3	2
34	FRV2MF3WCM-TSH	100049182	ADA TRANSFORMER SHELF	1	1
35	SPACER BOARDS	-NA-	PLYWOOD SPACERS	8	6
36	FRV2-SM15x55	100059351	STD MIRROR GLASS	9	6
37	FRV2-SM19x55	100059354	ADA MIRROR GLASS	3	3

* QTY'S FOR A 4-BAY AND 4-BAY FLIPPED ARE THE SAME

** ITEMS WILL COME IN CARTONS OR WRAPPED IN CARDBOARD



P.O. BOX 729 TERRELL, TEXAS 75160
972-563-5574 / 800-776-2349

CHECKLIST