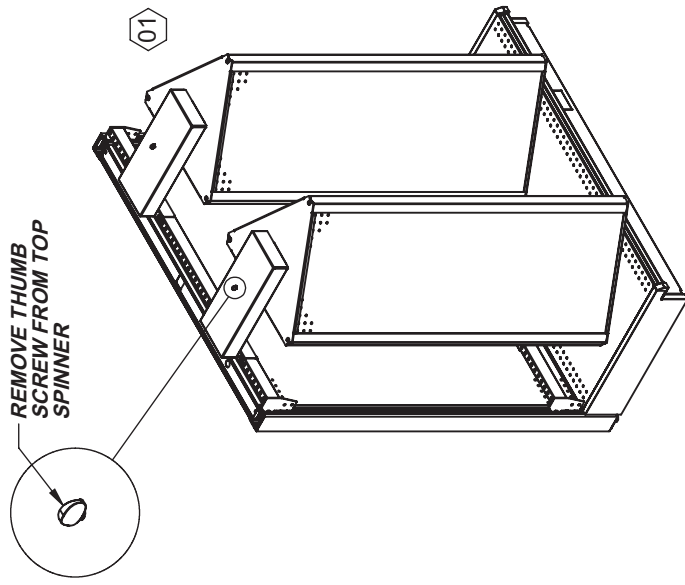


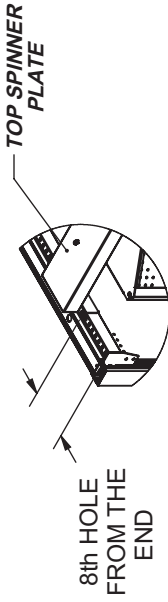
# ASY FOR 3-WAY TOOL DISPLAY

REV.	DESCRIPTION	DATE
01	UPDATED WITH LATEST DESIGN CHANGES	2/24/2009

**2: ATTACH SPINNER PLATES TO THE CROSS BARS USING THE 5/16-18x2.5" BOLT AND 5/16-18 HEX NUT AS SHOWN.**

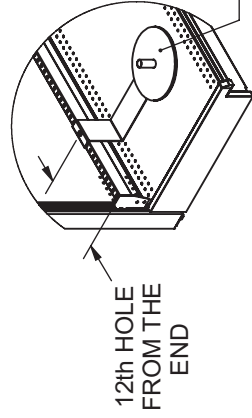


MINIMUM NH 84 UPRIGHT FOR 78" TALL DISPLAY



8th HOLE FROM THE END

1"x2"x48" CROSS BAR WITH HOLES TOP AND BOTTOM



12th HOLE FROM THE END

BOTTOM SPINNER PLATE AND SPACER

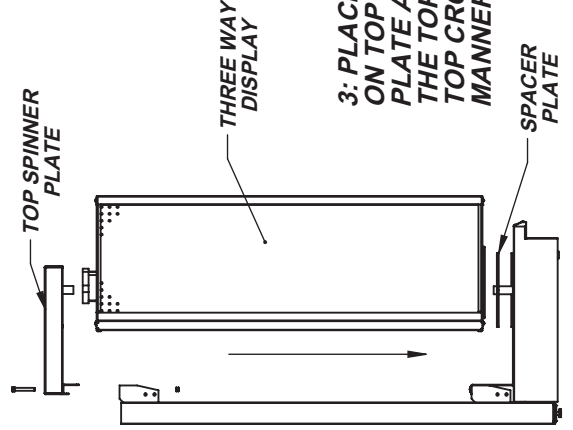
MINIMUM NH 54 UPRIGHT FOR 48" TALL DISPLAY.

TOP SPINNER PLATE

APPROX 79" TOP OF BASE SHELF TO TOP OF DIVIDER BAR

APPROX 49" TOP OF BASE SHELF TO TOP OF DIVIDER BAR

INSERT BOTTOM BAR INTO THE BOTTOMMOST AVAILABLE SLOT ON THE UPRIGHT



THREE WAY DISPLAY

NH 78 DISPLAY SHOWN WITH NH 120" TALL UPRIGHT

NH 48 DISPLAY SHOWN WITH NH 54" TALL UPRIGHT

SPACER PLATE

**3: PLACE THREE WAY DISPLAY ON TOP OF THE BOTTOM SPINNER PLATE AND SECURE BY ATTACHING THE TOP SPINNER PLATE TO THE TOP CROSS BAR IN THE SAME MANNER AS THE BOTTOM PLATE.**

**4: ONCE TOP SPINNER IS SECURED ROTATE THE DISPLAY SLIGHTLY UNTIL PRESSURE IS REMOVED FROM THE THUMB SCREW ON THE TOP SPINNER. REMOVE THE THUMB SCREW FROM THE TOP SPINNER AND RELEASE THE DISPLAY. THUMB SCREW CAN BE SAVED FOR LATER USE IF NEEDED.**

**REPEAT STEPS 1 THROUGH 4 FOR OTHER SIDE OF THE SECTION.**

**Madix**  
**Asy-80015794**

P.O. BOX 729 TERRRELL, TEXAS 75160  
 214-515-5400 / 800-776-2346

PAGE 1 OF 1 REV. 01

12/16/08 CAB ECM # 50000006167