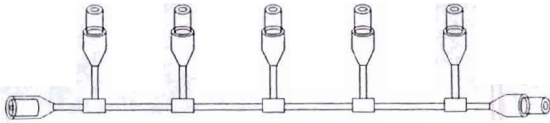


# LUMIBACK FIXTURE

## ASY-80011292

### INSTALLATION INSTRUCTIONS

LSS(OPT)WC



LSST(OPT)A

UC  
UPRIGHT CAP

STL-(NW)  
TOP SPANNER

BU-(NH)  
BASIC UPRIGHT

LSSSB-(NW)(NH)-(OPT)  
LUMIBACK PANELS

SSC-(NW)  
SLATWALL CENTER  
SPANNER

SL-(NW)  
LOWER SPANNER

LSBPAS-(NW)(NH)  
PANEL ADAPTOR SET

BU-(NH)  
BASIC UPRIGHT



# LUMIBACK FIXTURE

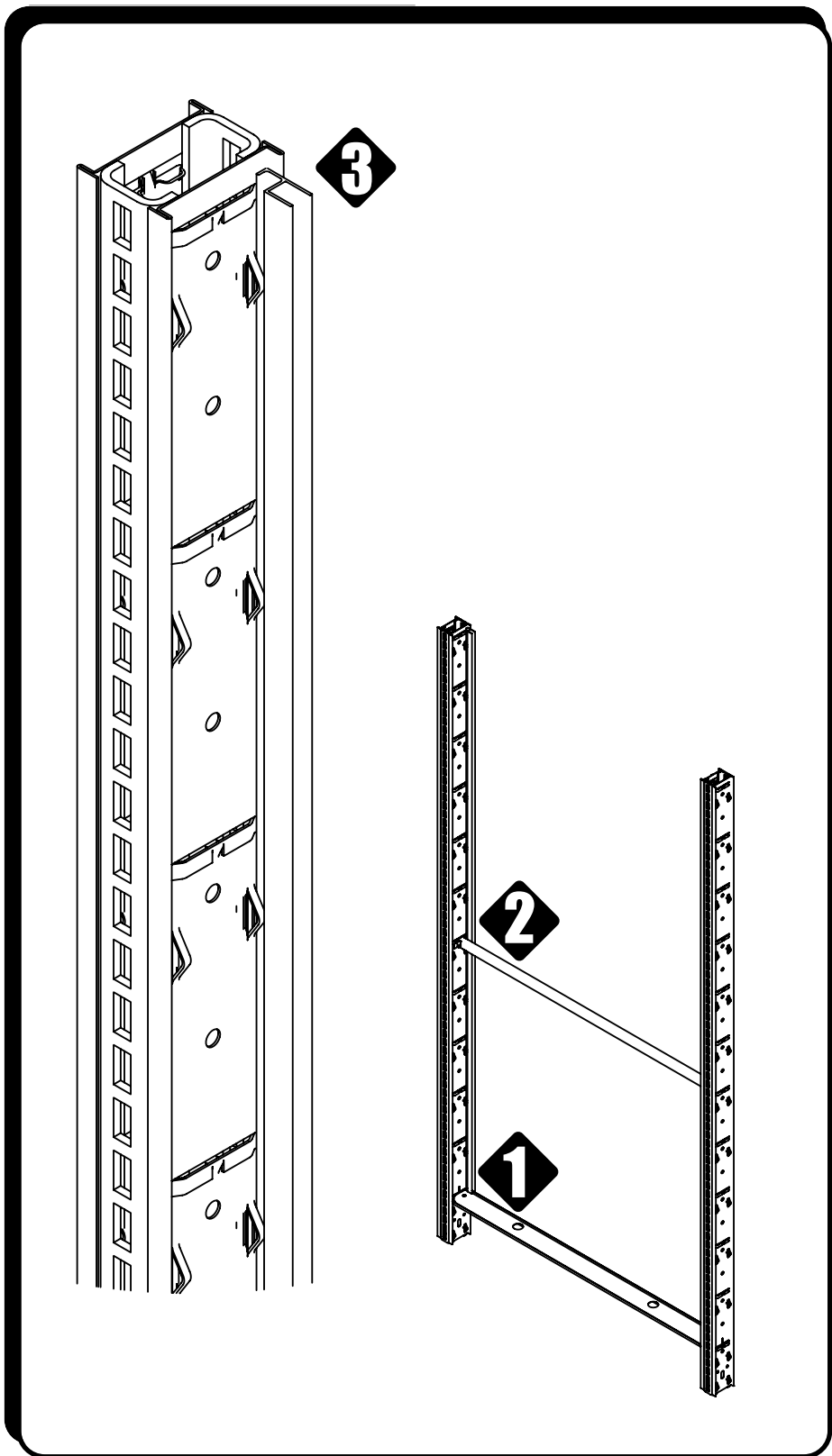
# ASY-80011292

## INSTALLATION INSTRUCTIONS

**1** REMOVE KNOCKOUT OR DRILL HOLE TO 1/2" TO ACCOMODATE POWER CORD

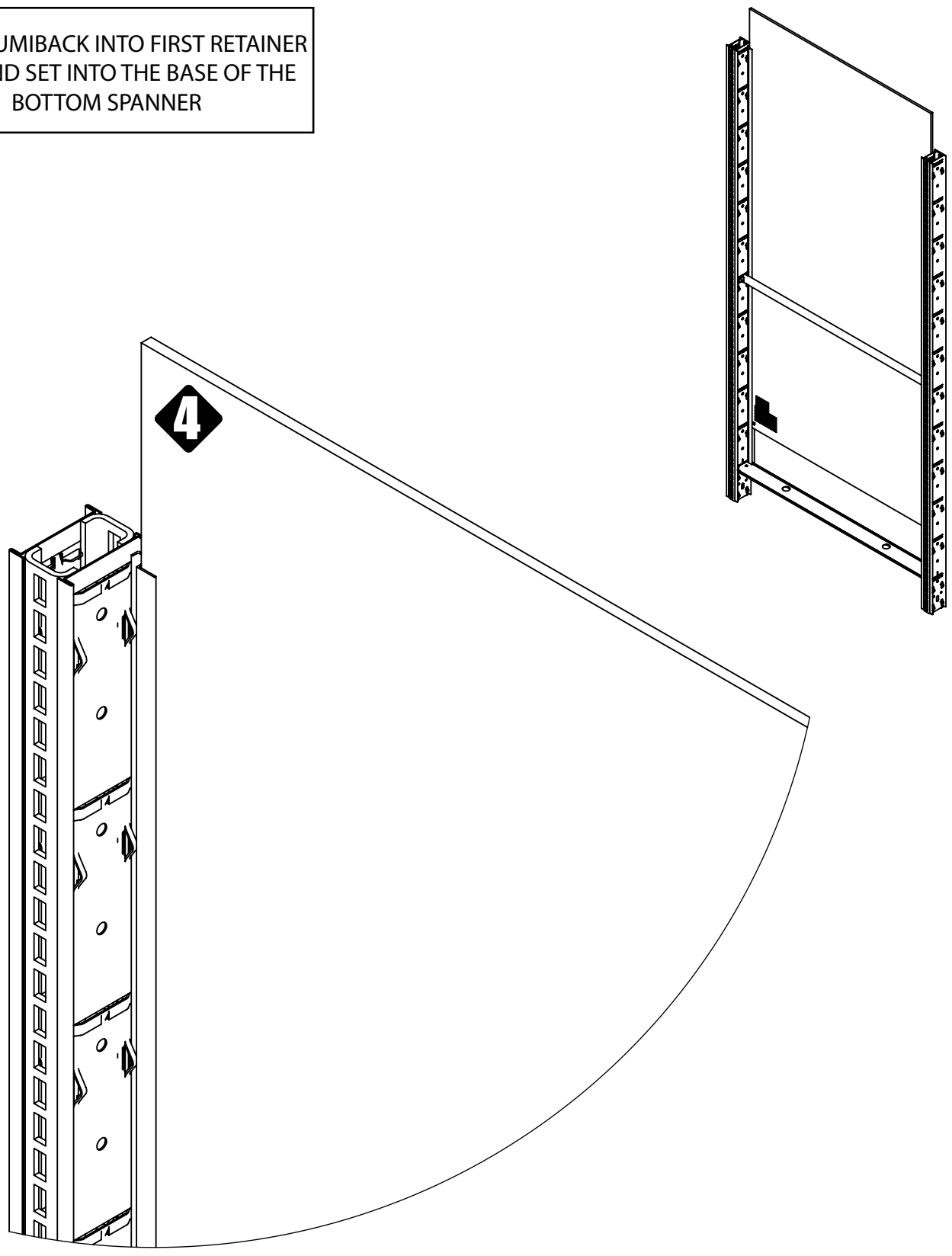
**2** SLATWALL CENTER SPANNER REQUIRED

**3** PLACE RETAINER IN TO PLACE AS SHOWN



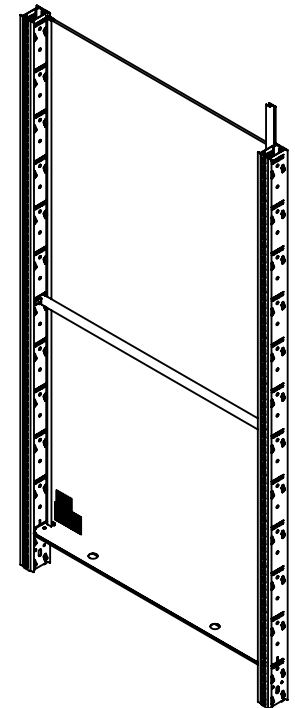
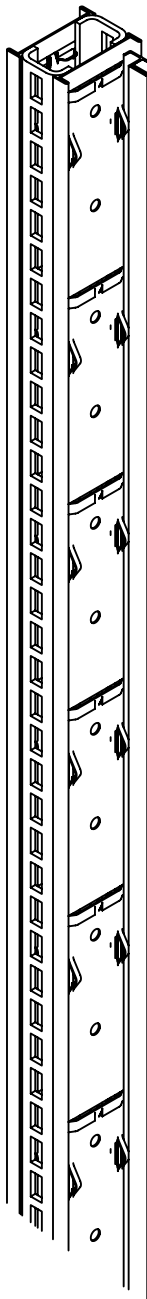
**4**

INSERT LUMIBACK INTO FIRST RETAINER SLOT AND SET INTO THE BASE OF THE BOTTOM SPANNER

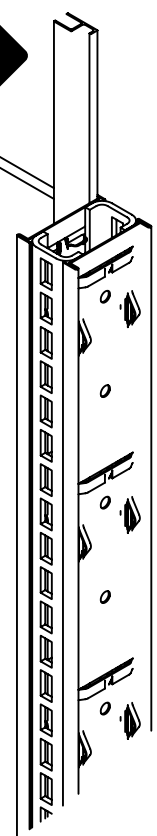


5

SLIDE SECOND RETAINER BETWEEN BACK AND BU UNTIL IT REST ON THE BASE OF THE BOTTOM SPANNER.



5



# LUMIBACK FIXTURE

## ASY-80011292

### INSTALLATION INSTRUCTIONS

- 6** REPEAT STEPS 3 THROUGH 5 FOR OTHER LUMIBACK
- 7** PUT TOP SPANNER INTO PLACE
- 8** SNAP INTO PLACE ON BOTH SIDES

