

# CANOPY SYSTEMS

## INSTALLATION INSTRUCTIONS

### READ CAREFULLY!

- A minimum of two persons are required to install canopies.
- **Do not step on base shelves...** to avoid damage:
  - A. Do not install base shelves initially, or
  - B. Remove individual base shelves while working and replace, or
  - C. Lay plywood or boards on base shelves.

### TOOLS REQUIRED

- 7/16" wrench, box or open end
- #2 Phillips, apex or screwdriver
- #3 Phillips, apex or screwdriver
- Fine tooth finishing saw
- Framing square
- Step ladder.

### .....PARTS IDENTIFICATION.....

NOTE! These canopy / canopy flange combinations are designed to install on:

- All standard upper shelves.....SUS-□□□.
- Open canopy brackets.....CBO-□□□, see below.
- Adjustable canopy brackets....CBAF-□□□, see below.

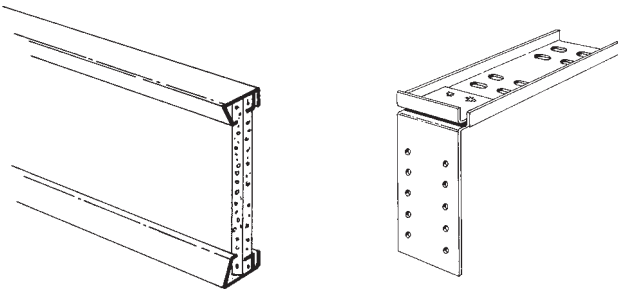
IMPORTANT! All LC-88 and DC-88 canopy installations begin with a canopy end panel, or canopy end. See page 2 for how these components interface with canopy ends and canopy end panels.

LC-88□  
"LITE-EX"  
CANOPY

with

CF-88  
CANOPY  
FLANGE

...see pages 3 thru 4.

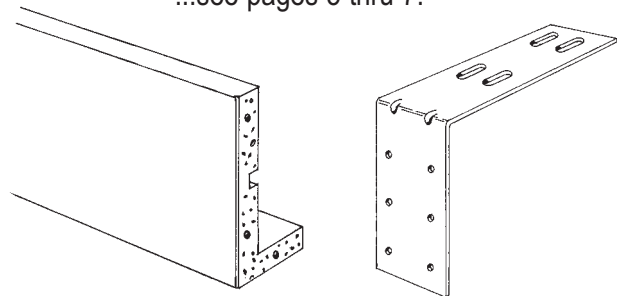


DC-88□  
"DELUXE"  
CANOPY

with

CFHP973  
CANOPY  
FLANGE

...see pages 5 thru 7.

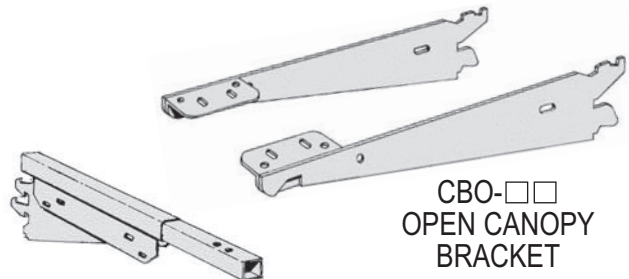
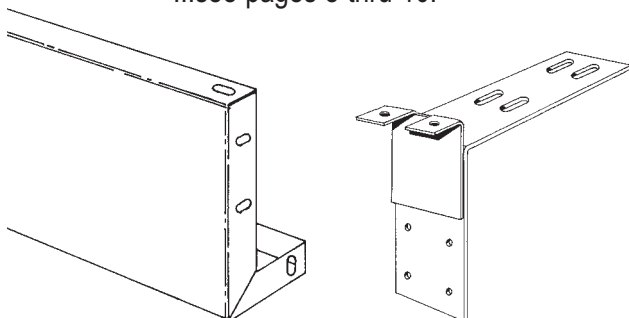


MCS-□□  
METAL  
CANOPY

with

6502-618  
CANOPY  
FLANGE

...see pages 8 thru 10.



CBO-□□  
OPEN CANOPY  
BRACKET

CBAF-□□  
ADJUSTABLE CANOPY  
BRACKET

...see page 12, 13.

# CANOPY SYSTEMS

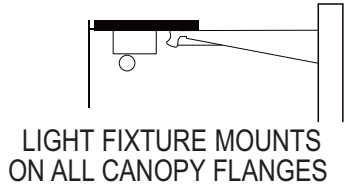
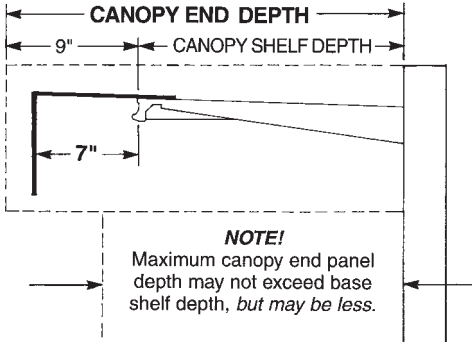
# ASY 092

## CANOPY PROJECTIONS

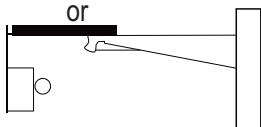
### 7" CANOPY FLANGE EXTENSION

...either CF-88, CFHP973 or 6502-618 flange.

CANOPY SHELF DEPTH + 9" = CANOPY END DEPTH



LIGHT FIXTURE MOUNTS ON ALL CANOPY FLANGES

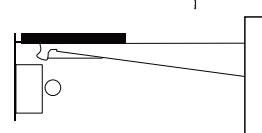
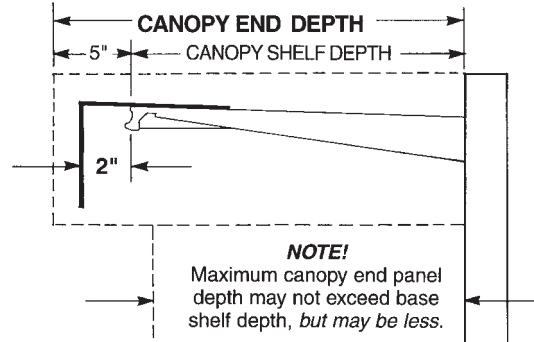


LIGHT FIXTURE MOUNTS ON BACK OF LC-88 OR DC-88 CANOPIES ONLY.

### 2" CANOPY FLANGE EXTENSION

...either CF-88 or CFHP973 flanges.

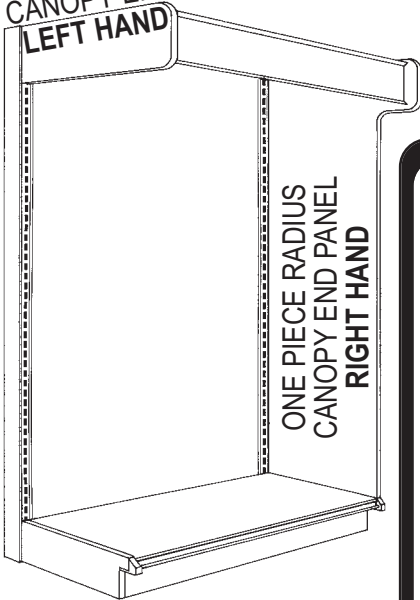
CANOPY SHELF DEPTH + 5" = CANOPY END DEPTH



LIGHT FIXTURE MOUNTS ON BACK OF LC-88 OR DC-88 CANOPIES ONLY.

EXTENSION LENGTH	CANOPY TYPE	LIGHT FIXTURE MOUNTS ON...	
		CANOPY FLANGE	BACK OF CANOPY
7" EXTENSION	LC-88	YES	YES
	DC-88	YES	YES
	MCS	YES	NO
2" EXTENSION	LC-88	NO	YES
	DC-88	NO	YES
	MCS	NO	NO

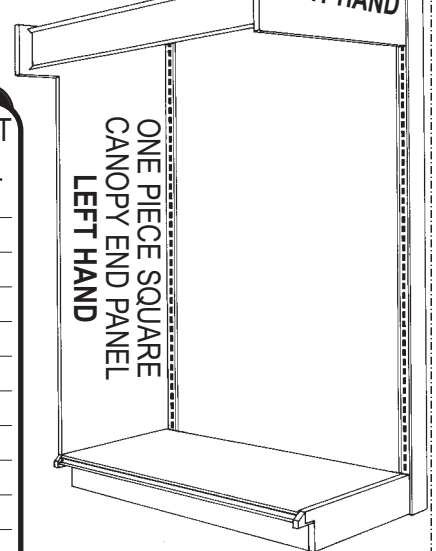
3" RADIUS CANOPY END LEFT HAND



ONE PIECE RADIUS CANOPY END PANEL RIGHT HAND

CANOPY END DEPTH	CANOPY SHELF OR BRACKET DEPTH FOR X" EXTENSION:	
	7" EXT.	2" EXT.
17"	8"	12"
19"	10"	14"
21"	12"	16"
23"	14"	18"
25"	16"	20"
27"	18"	22"
29"	20"	24"
31"	22"	26"
33"	24"	28"
35"	26"	30"
37"	28"	N.A.
39"	30"	N.A.

SQUARE CANOPY END RIGHT HAND



ONE PIECE SQUARE CANOPY END PANEL LEFT HAND

LEFT HAND OR RIGHT HAND APPLIES ONLY IF THE EXTERIOR AND INTERIOR FINISHES ARE DIFFERENT.

### CF-88 HARDWARE PACK #7200-028

* A	QTY	ITEM DESCRIPTION
* B	6	1/4-20 x 1/2" Phillips truss head machine screw
* C	6	1/4-20 Hex nut
* D	6	1/4" x 1" O.D. Fender washer
	2	#10 x 5/8" Phillips pan head sheet metal screw

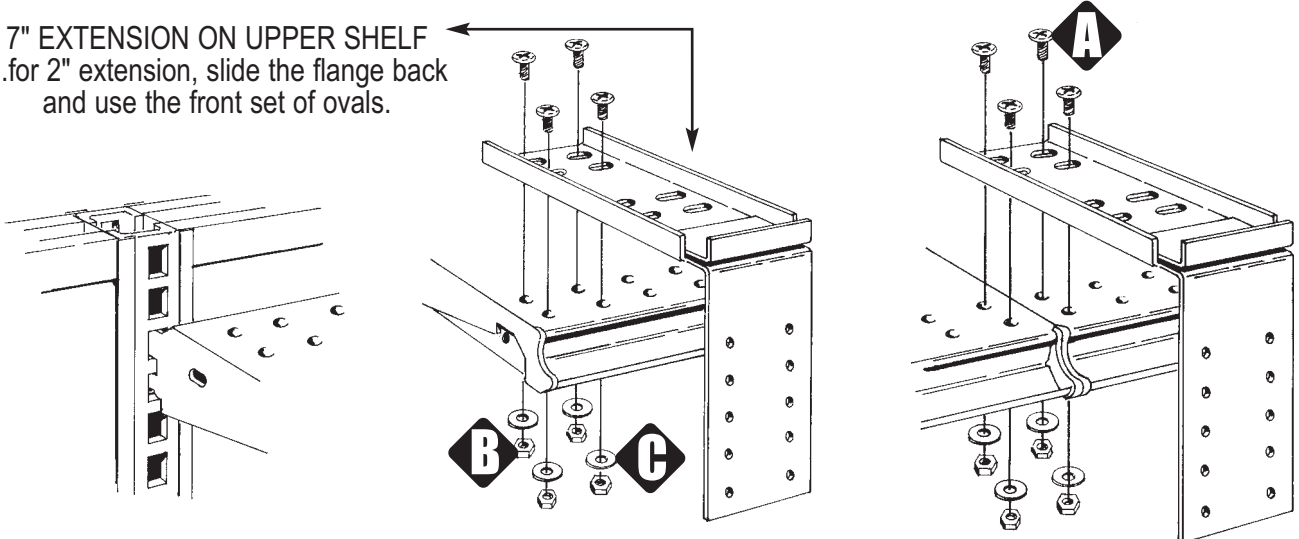
**A** indicates item, where used.

NOTE! Hardware pack is for one flange. Two of each items marked \* are included for fastening the light fixture to the flange or canopy.

**1**

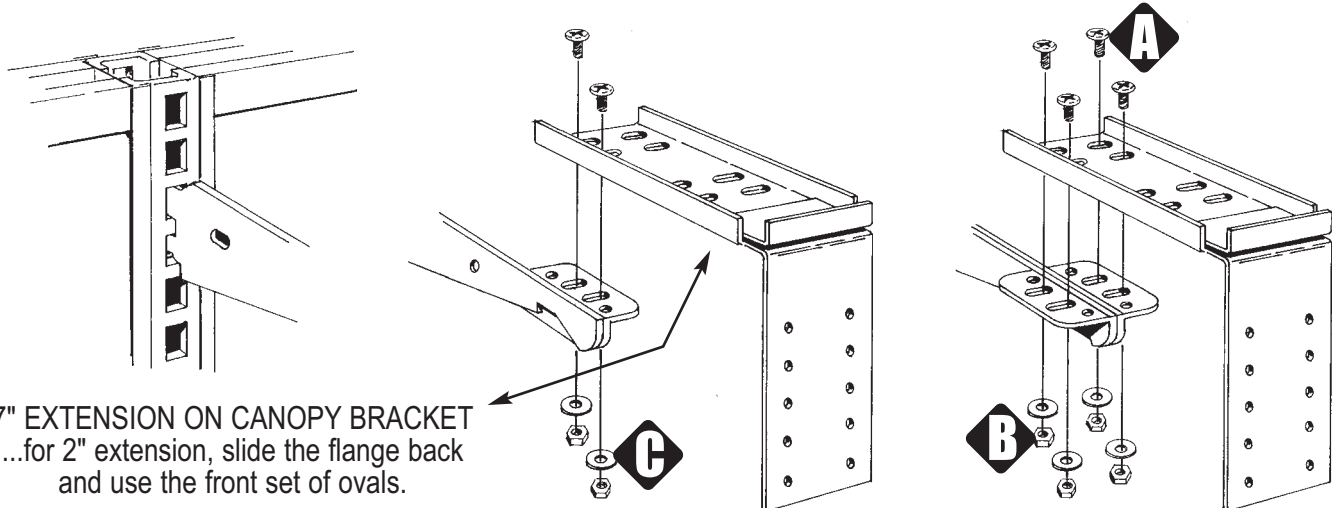
**IMPORTANT!** Leave all canopy flange screws slightly loose until the canopy and canopy ends/end panels are installed.

7" EXTENSION ON UPPER SHELF  
...for 2" extension, slide the flange back and use the front set of ovals.



.....INSTALL IN THIRD SLOT FROM TOP.....AT ENDS.....ALL CENTERS.....

7" EXTENSION ON CANOPY BRACKET  
...for 2" extension, slide the flange back and use the front set of ovals.



**2**

After the canopy flanges have been installed, with screws slightly loose, see pages 12-13 to install a canopy end panel, or canopy end, prior to beginning the canopy installation.

**3**

Slide insert panels slightly over 1' out of trim extrusion as shown. Repeat with all 8' remaining sections used in run. Cut 1' off of the starting section... using a framing square and a fine tooth saw to avoid chipping.

**4**

Hang first section on canopy flanges by inserting expansion flange into upper extrusion pocket.

**5**

Hang second section on canopy flanges, inserting the second section panel into the first section extrusions,...close the extrusion gaps.

**6**

Repeat steps 4-5 through to the last section.

**7**

Insert the 1' piece cut from the first section...cut extrusion and/or panel to length as necessary. Be sure to match the joint as shown.

**8**

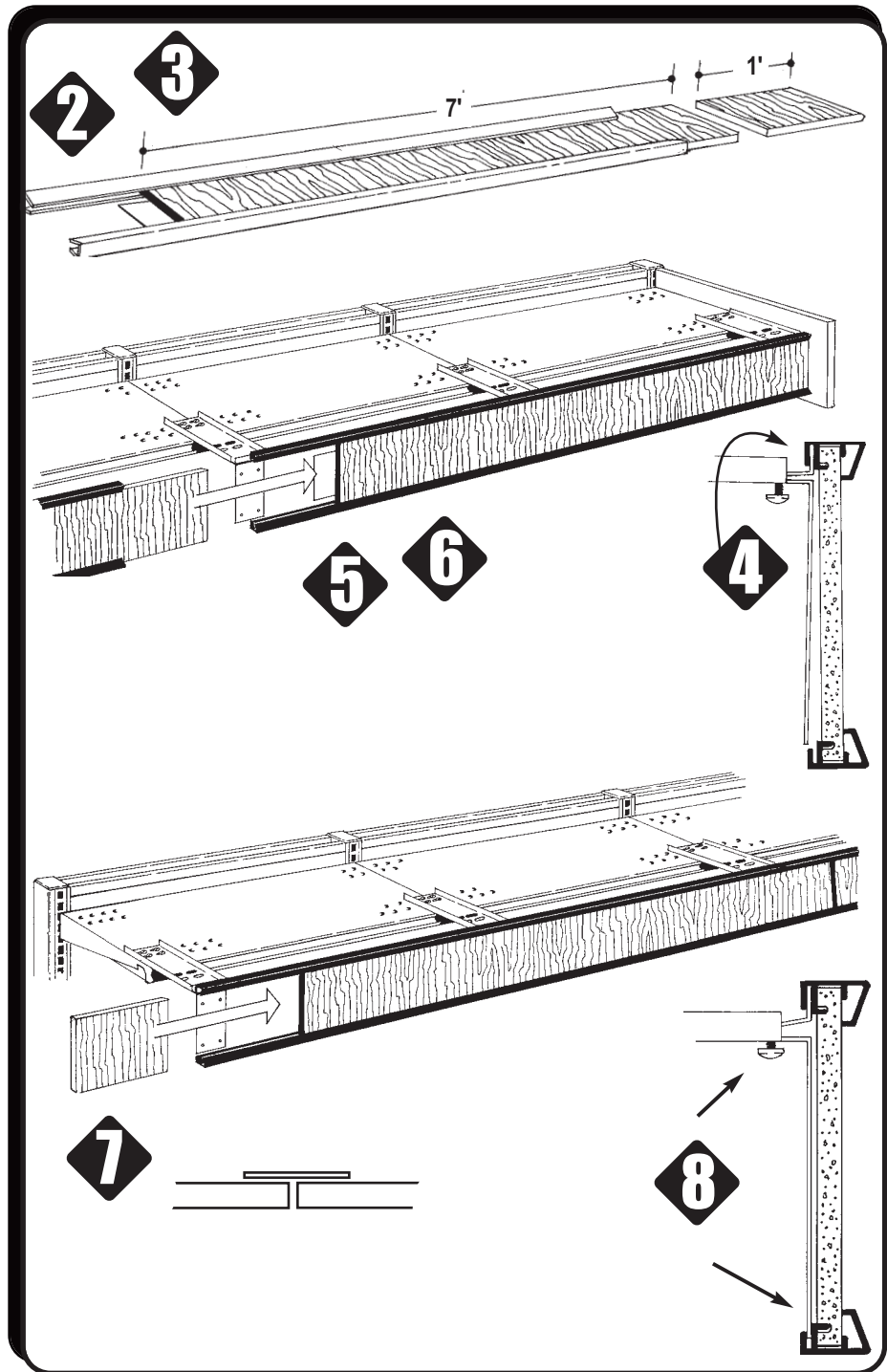
At all canopy flanges, insert the down flange into the lower extrusion pocket, while tightening the expansion screw so that canopy is secure.

**9**

See page 12-13 to install the remaining canopy end panel, or canopy end.

**10**

Visually sight the canopy for in/out alignment while tightening the canopy flange screws...if the canopy cannot be aligned, refer to ASY-046 for re-leveling the fixture.



# CANOPY SYSTEMS

## ASY 092

INSTALLING CFHP-973 CANOPY FLANGES ... FOR DC-88 CANOPY

### CF-88 HARDWARE PACK #7200-028

QTY	ITEM DESCRIPTION
* <b>A</b> 6	1/4-20 x 1/2" Phillips truss head machine screw
* <b>B</b> 6	1/4-20 Hex nut
<b>C</b> 6	1/4" x 1" O.D. Fender washer
* <b>D</b> 2	#10 x 5/8" Phillips pan head sheet metal screw

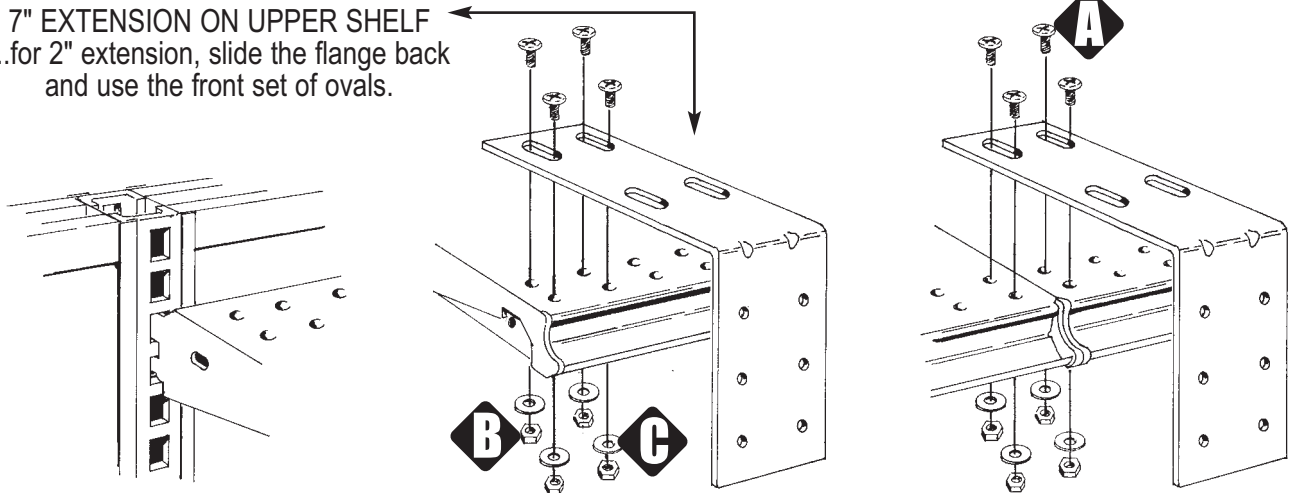
**A** indicates item, where used.

NOTE! Hardware pack is for one flange. Two of each items marked \* are included for fastening the light fixture to the flange or canopy.

**1**

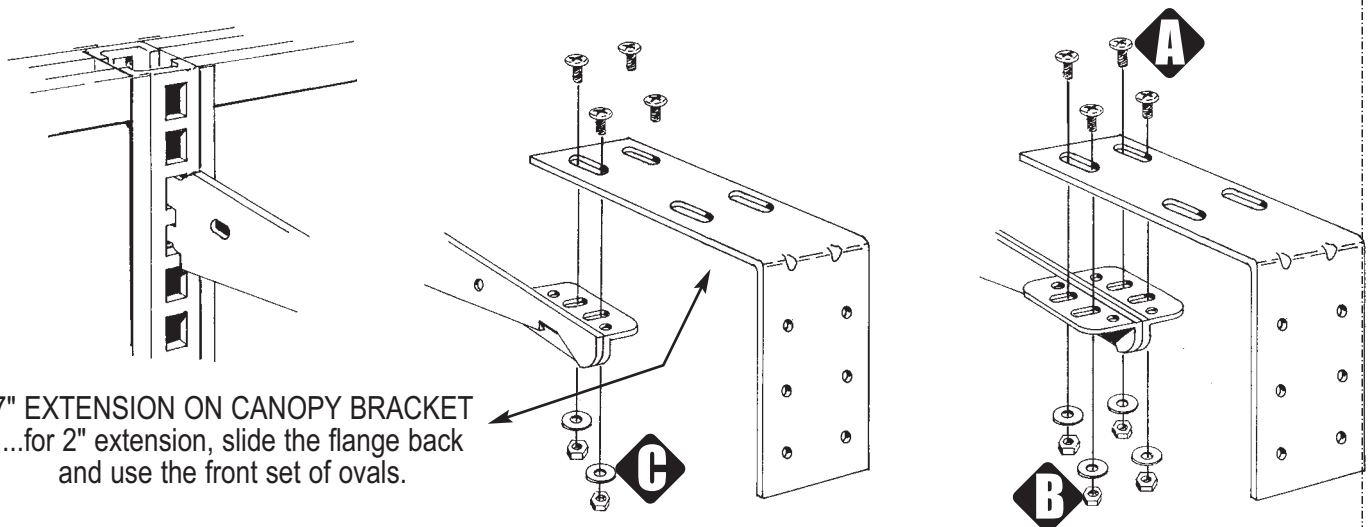
**IMPORTANT!** Leave all canopy flange screws slightly loose until the canopy and canopy ends/end panels are installed.

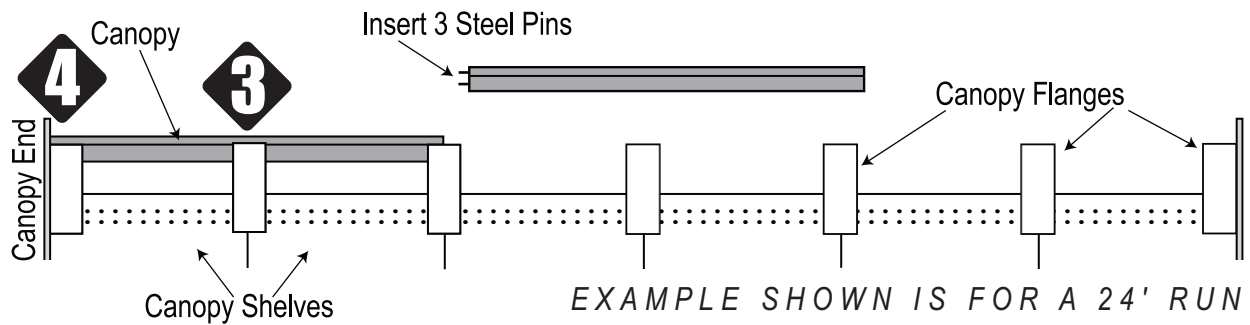
7" EXTENSION ON UPPER SHELF  
...for 2" extension, slide the flange back and use the front set of ovals.



.....INSTALL IN THIRD SLOT FROM TOP.....AT ENDS.....ALL CENTERS.....

7" EXTENSION ON CANOPY BRACKET  
...for 2" extension, slide the flange back and use the front set of ovals.

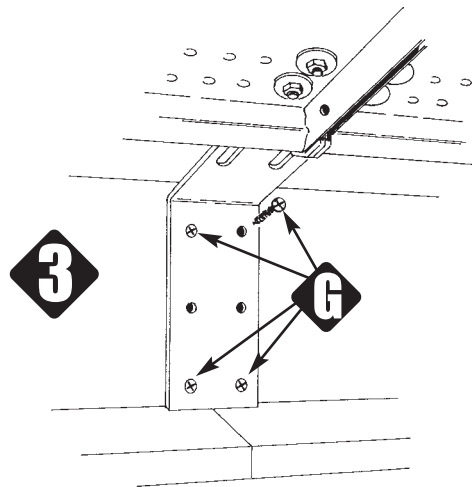




**2** After the canopy flanges have been installed, with screws slightly loose, see pages 13-14 to install a canopy end panel, or canopy end, at each end of the run prior to beginning the canopy installation.

**3** Position first canopy section butting against the canopy end and the 3" return against the bottom of the canopy flange. Screw the canopy to the canopy flange as shown.

**4** See page 14 for securing the canopy to the canopy end, be sure the 3" return is against the bottom of the canopy flange, then screw the canopy to the canopy flange as shown in step 3.



### DC-88 HARDWARE PACK #7200-833

QTY	ITEM DESCRIPTION
<b>E</b> 1	TITE-JOINT fastener
<b>F</b> 3	1900-159-1.500, 8 gauge x 1 1/2" steel pins
<b>G</b> 4	#10 x 5/8" Phillips pan head sheet metal screw

**E** indicates item, where used.

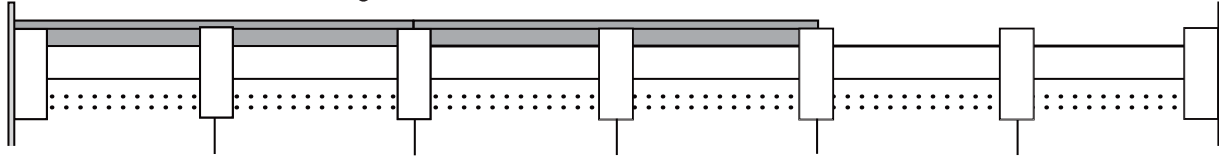


# CANOPY SYSTEMS

## ASY 092

### DC-88 CANOPY INSTALLATION, CONT'D

Insert 3 Steel Pins 



Join the first and second canopy sections, inserting the steel pins and tapping the joint snug. Be sure the 3" return is against the bottom of the canopy flanges as you screw the canopy to the canopy flange as in step 3.



Insert the "Tite-joint" fastener downward at the canopy joint between the canopy and the canopy flange as shown. Adjust the fastener so that both plates are in the routed pockets of the canopy sections. Tighten the fastener using the open end wrench on the bolt head. Screw the canopy to the canopy flange as shown in step 3.



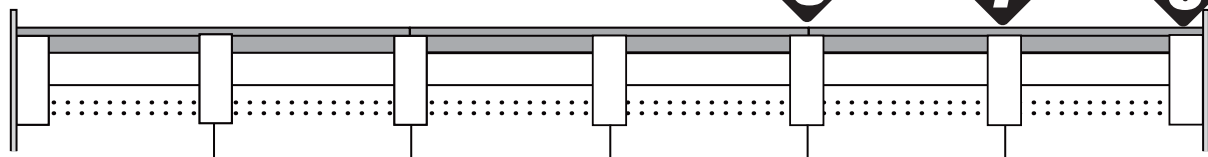
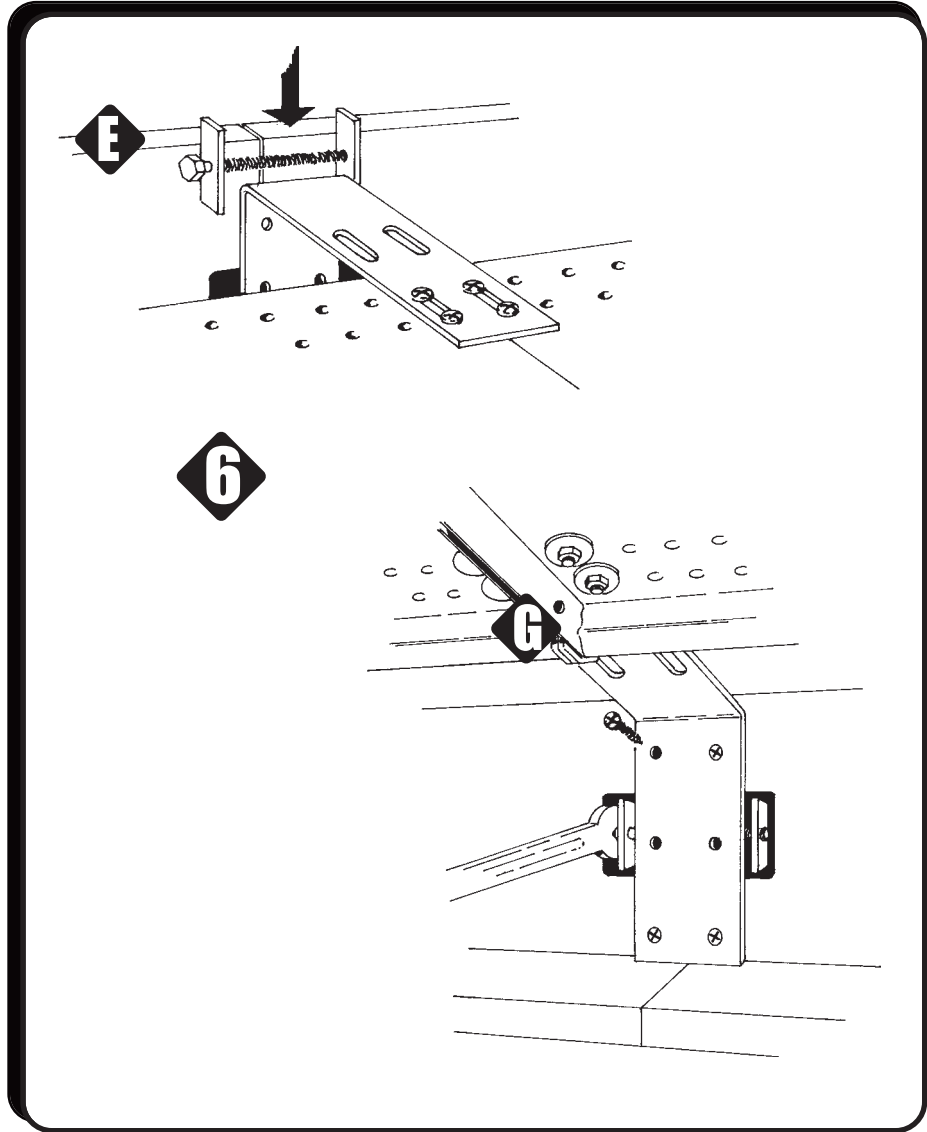
Join the second and third canopy sections by repeating step 5.



Secure the canopy joint by repeating step 6.



Secure the third canopy section to the canopy end by repeating step 4.



# CANOPY SYSTEMS

## ASY 092

INSTALLING 6502-618 CANOPY FLANGES ... FOR MCS METAL CANOPY

### MCS HARDWARE PACK #7200-028

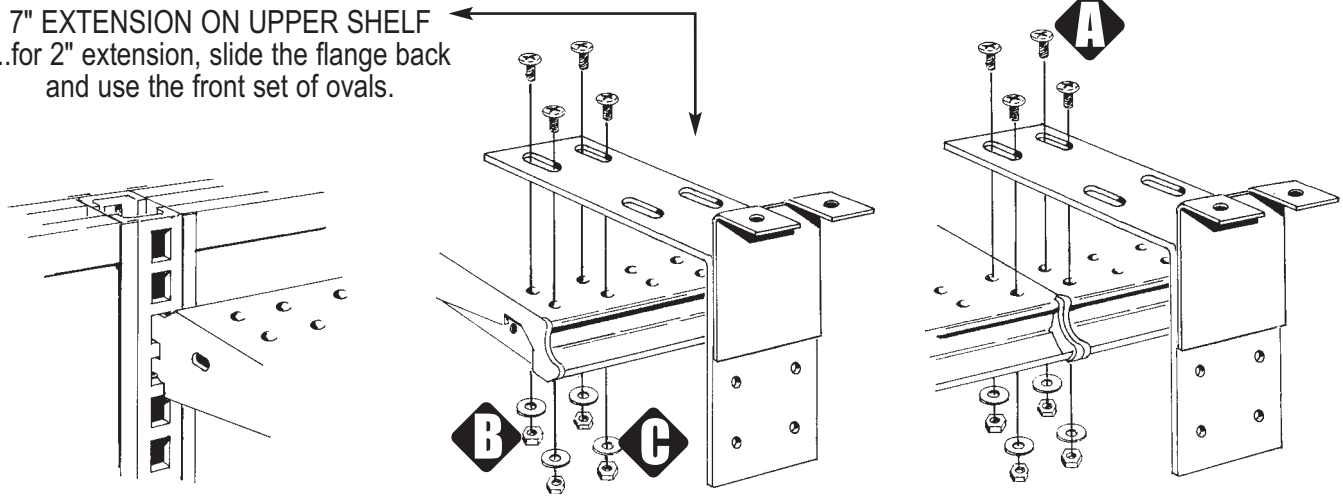
QTY	ITEM DESCRIPTION
* <b>A</b> 6	1/4-20 x 1/2" Phillips truss head machine screw
* <b>B</b> 6	1/4-20 Hex nut
<b>C</b> 6	1/4" x 1" O.D. Fender washer

**A** indicates item, where used.

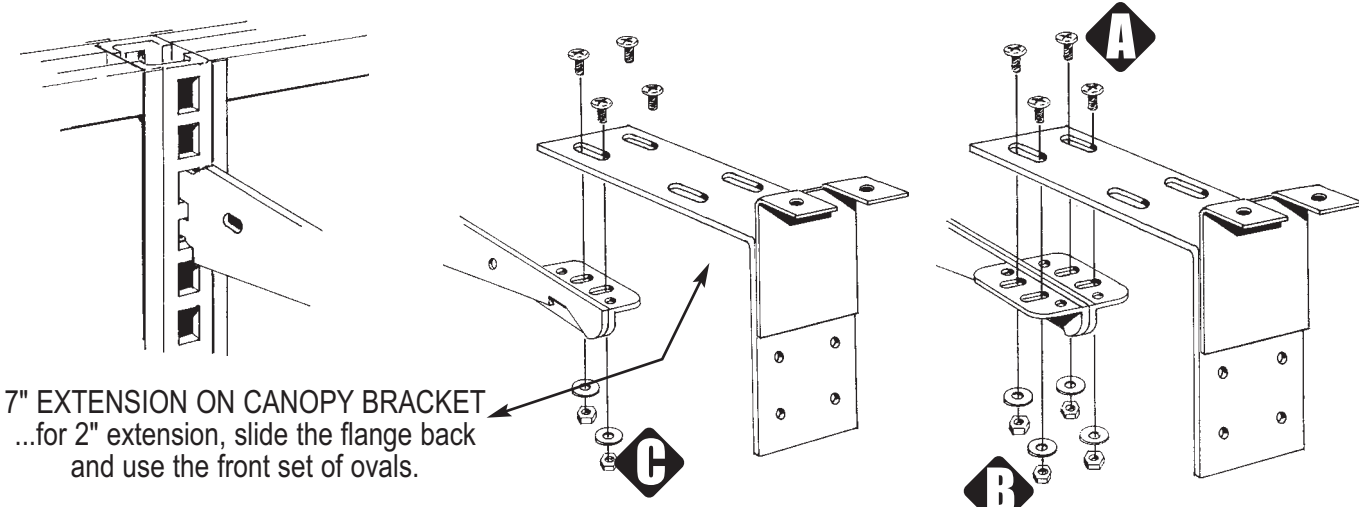
NOTE! Hardware pack is for one flange. Two of each items marked \* are included for fastening the light fixture to the flange or canopy.

**1** IMPORTANT! Leave all canopy flange screws slightly loose until the canopy and canopy ends/end panels are installed.

7" EXTENSION ON UPPER SHELF  
...for 2" extension, slide the flange back and use the front set of ovals.



.....INSTALL IN THIRD SLOT FROM TOP.....AT ENDS.....ALL CENTERS.....



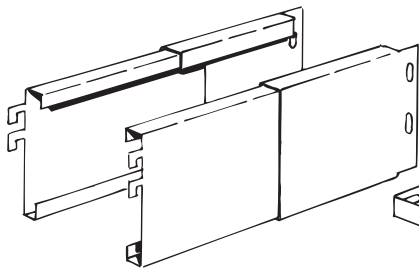
7" EXTENSION ON CANOPY BRACKET  
...for 2" extension, slide the flange back and use the front set of ovals.



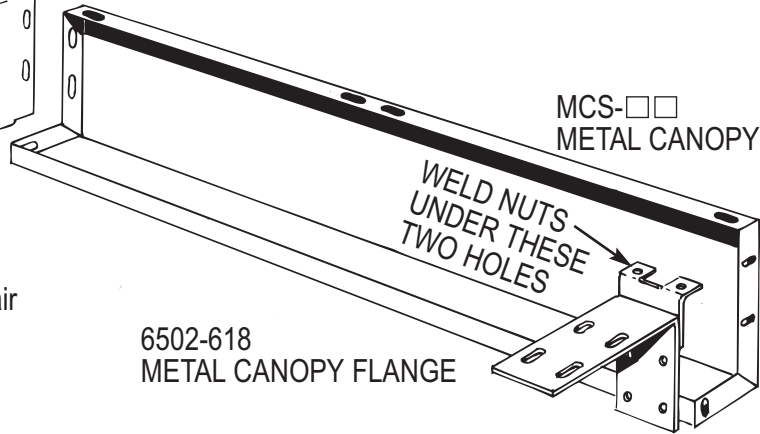
# CANOPY SYSTEMS

## ASY 092

MCS METAL CANOPY INSTALLATION



MCSEC-□□  
ADJUSTABLE END COVER, pair



MCS-□□  
METAL CANOPY

6502-618  
METAL CANOPY FLANGE

WELD NUTS  
UNDER THESE  
TWO HOLES

**2**

Lay out the canopy sections to check that you have the correct lengths to correspond to the section widths.

**3**

Position the beginning canopy section so that it is resting on top of the canopy flanges as shown and is flush with the side of the end canopy flange. Secure with the screw into the weld nut beneath, as shown, leaving the screw slightly loose...see step 5.

**4**

Screw the opposite end of the beginning canopy section to the canopy flange. Canopy sections 6' or longer have perforations for intermediate canopy flanges...screw these as well. Leave all screws slightly loose...see step 5.

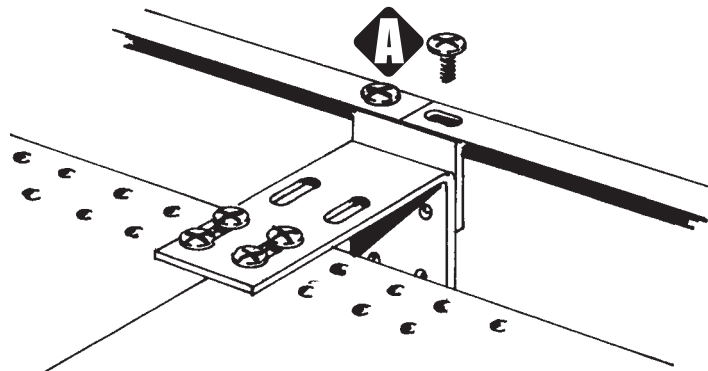
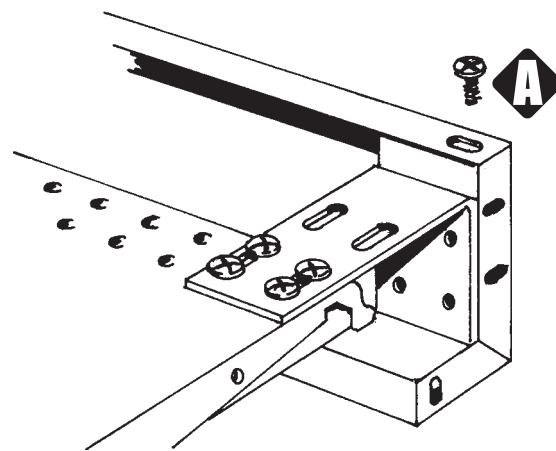
**5**

Flanges at canopy section joints and intermediate flanges will secure the same way. Repeat step 3 with the remaining canopy sections. Leave all screws slightly loose ...see step 5.

### MCS HARDWARE PACK #7200-454

QTY	ITEM DESCRIPTION
<b>A</b> 12	1/4 - 20 x 1/2" Phillips truss head machine screw
<b>B</b> 8	1/4-20 Hex nut

**A** indicates item, where used.



**NOTE!**  
Hardware pack is for one flange. Two extra of each item are included for fastening the light fixture to the flange.

# CANOPY SYSTEMS

## MCS METAL CANOPY INSTALLATION, CONT'D

**6**

Leaving the canopy to flange screws loose in previous steps is to allow tilting the bottom of the canopy forward to allow access for installing the canopy joint screws. Beginning at one end, install screws as shown. Be sure that the front and bottom surfaces are aligned prior to tightening the screws

**7**

Beginning at the first joint, tighten all of the canopy to flange screws.

**8**

If using the matching MCSES metal canopy end, install it into the top slot of the upright. The top of the canopy end must be flush with the top of the upright as shown. Secure the canopy section to the canopy end as shown.

**9**

If using wood canopy ends, or canopy end panels, see pages 12-13.

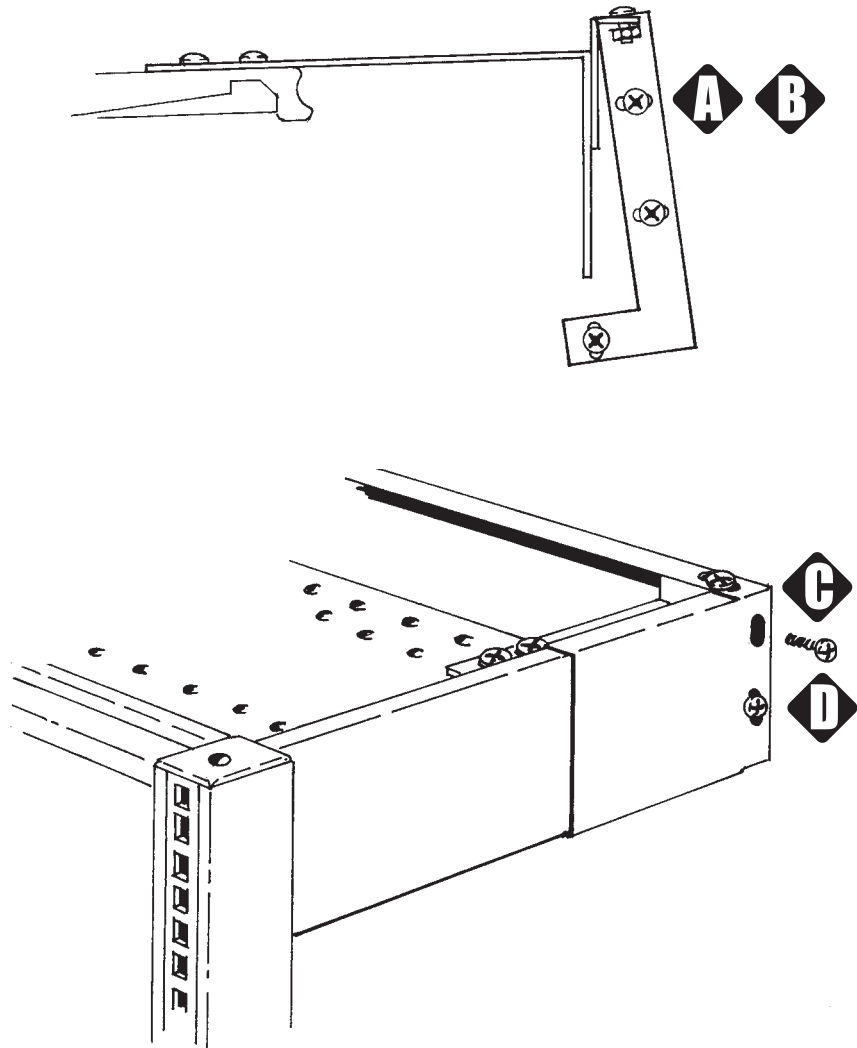
**10**

Visually sight the canopy for in/out alignment while tightening the canopy flange screws...if the canopy cannot be up/down aligned, refer to ASY-046 for re-leveling the fixture.

### MCSEC HARDWARE PACK #7200-453

QTY	ITEM DESCRIPTION
4	1/4 - 20 x 1/2" Phillips truss head machine screw
4	1/4-20 Hex nut

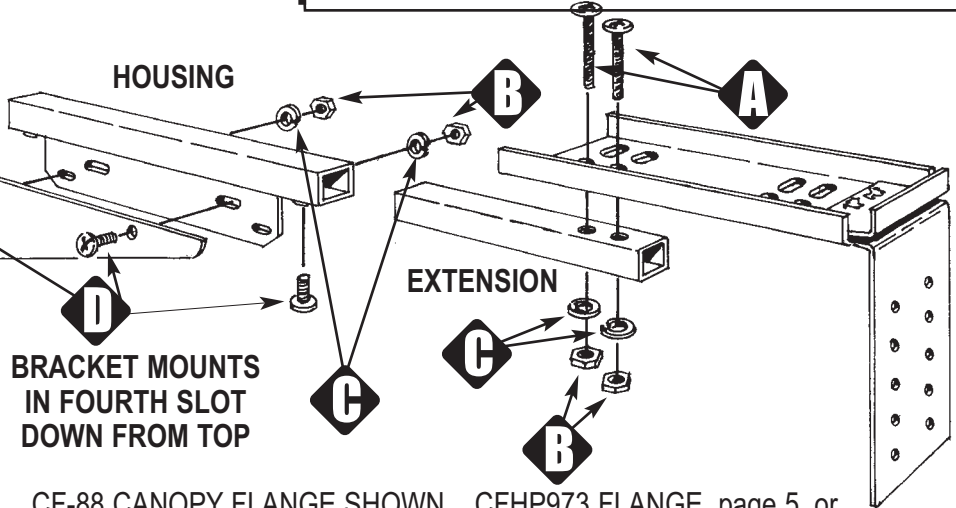
 indicates item, where used.



# CANOPY SYSTEMS

## ADJUSTABLE CANOPY BRACKET ... FIXTURE MOUNT

- 1** Insert all brackets into the uprights at the fourth slot from the top, as shown above.
- 2** Secure housing to bracket as shown...be sure that the bracket to housing position is as shown in the front view, below.  
NOTE! The housing is reversible end for end...examine the front view drawing below carefully in order to determine the bracket to housing down flange position.
- 3** Push the housing firmly back against the upright while tightening the screws to eliminate side to side sway.
- 4** Insert the extension into the housing and secure the canopy flange to the extension as shown in the top view, below.
- 5** Adjust the extension to the desired depth and install and tighten the lock screw on the bottom side of the housing.
- 6** Repeat all steps above with all the remaining uprights in the run.
- 7** Refer to page 1 of this instruction for the specific canopy type to be installed and follow those steps to complete the installation.



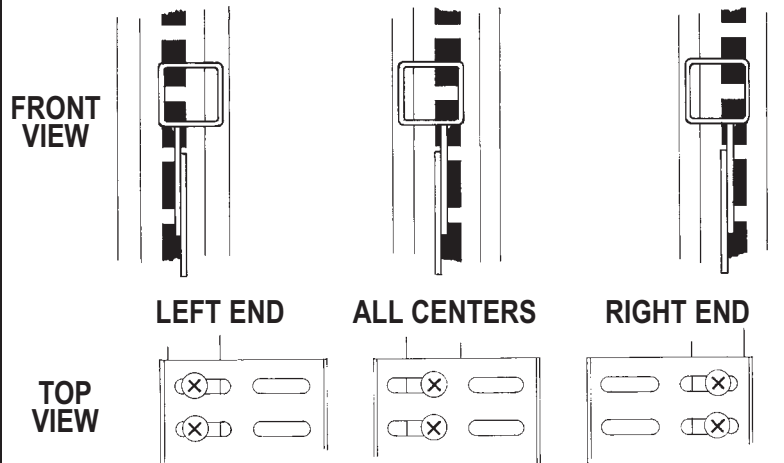
CF-88 CANOPY FLANGE SHOWN ...CFHP973 FLANGE, page 5, or CFMC CANOPY FLANGE, page 8, MAY ALSO BE USED.

CBAF HARDWARE PACK #7200-325		
QTY	ITEM DESCRIPTION	
<b>A</b> 2	1/4 - 20 x 1 1/4" PhilLips truss head machine screw	
* <b>B</b> 6	1/4-20 Hex nut	
<b>C</b> 4	1/4" Lock washer	
* <b>D</b> 5	1/4-20 x 1/2" Phillips truss head machine screw	

**A** indicates item, where used.

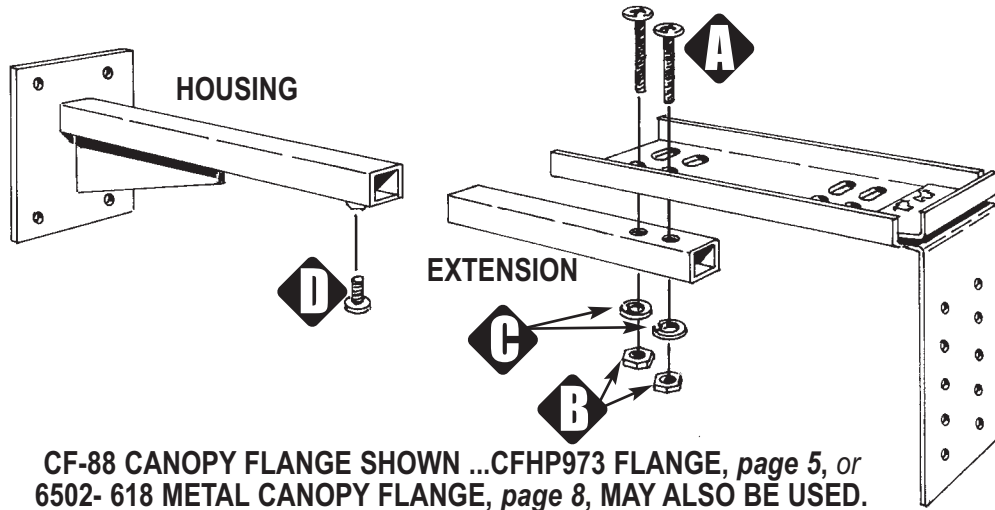
NOTE! Hardware pack is for one flange. Two extra of each item marked \* are included for fastening the light fixture to the flange.

CBAF ADJUSTMENT	18"-24"	24"-36"
BRACKET LENGTH	8 7/8"	14 7/8"
HOUSING LENGTH	9"	15"
EXTENSION LENGTH	12"	18"



# CANOPY SYSTEMS

## ADJUSTABLE CANOPY BRACKET ... WALL MOUNT



CF-88 CANOPY FLANGE SHOWN ...CFHP973 FLANGE, page 5, or 6502- 618 METAL CANOPY FLANGE, page 8, MAY ALSO BE USED.

- 1** Secure housing to extension as shown....Insert the extension into the housing and secure the canopy flange to the extension as shown.
- 2** When mounting housing to wall, take into account that the canopy flanges cannot be mounted directly on the housing/extension centerline...see top view, page 11.  
  
NOTE! Due to varying field conditions, housing to wall anchors are not provided.
- 3** Adjust the extension to the desired depth and install and tighten the lock screw on the bottom side of the housing.
- 4** Refer to page 1 of this instruction for the specific canopy type to be installed and follow those steps to complete the installation.

CBAW HARDWARE PACK #7200-326		
QTY	ITEM DESCRIPTION	
<b>A</b> 2	1/4 - 20 x 1 1/4" Phillips truss head machine screw	
* <b>B</b> 4	1/4-20 Hex nut	
<b>C</b> 2	1/4" Lock washer	
* <b>D</b> 3	1/4-20 x 1/2" Phillips truss head machine screw	

**A** indicates item, where used.

NOTE! Hardware pack is for one flange. Two extra of each item marked \* are included for fastening the light fixture to the flange.

CBAW ADJUSTMENT	18"-24"	24"-36"
HOUSING LENGTH	11 1/4"	12"
EXTENSION LENGTH	17 1/4"	18"

# CANOPY SYSTEMS

CANOPY END PANELS / CANOPY ENDS

Examples: Label/Part Number Identification  
(actual part identification on page 2)

CANOPY END	CANOPY END DEPTH
<b>CER-23L</b>	
SQUARE = S RADIUS = R	LEFT HAND = L RIGHT HAND = R

CANOPY END PANEL	BASE SHELF DEPTH	CANOPY END DEPTH
<b>CEPR8418-27R</b>		
SQUARE = S RADIUS = R	UPRIGHT HEIGHT	LEFT HAND = L RIGHT HAND = R

**FINISH CODE:**  
**MO - MS**

EXTERIOR FINISH FIRST    INTERIOR FINISH SECOND

**LEFT HAND OR RIGHT HAND APPLIES ONLY IF THE EXTERIOR AND INTERIOR FINISHES ARE DIFFERENT.**

**1** With the canopy flanges installed with slightly loose screws, decide which end of the fixture run you will begin the canopy installation, then see above to select the correct canopy end panel, or canopy end.

**2** Position the canopy retainer angle midway on the end canopy flange as shown, with the inside of the angle flush against the canopy flange. IF DC-88 CANOPY, be sure there are mounting holes in the canopy flange above and below the canopy retainer angle. Secure the retainer angle with a tab of masking tape. Repeat at the opposite end of the run.

**NOTE!** This step does not apply if the MCS metal canopy is to be used.

**CEP/EP HARDWARE PACK #7200-057**

QTY	ITEM DESCRIPTION
<b>A</b> 1	Bottom mounting bracket, 12" aluminum extrusion
<b>B</b> 2	# 8 x 5/8" Phillips flat head wood screw
<b>C</b> 4	End panel hooks
<b>D</b> 8	# 8 x 1/2" Phillips truss head sheet metal screw
<b>E</b> 1	1" x 4" x 1" Canopy retainer angle, galvanized
<b>F</b> 4	# 10 x 5/8" Phillips pan head sheet metal screw

**A** indicates item, where used.

**NOTE!** Hardware pack is for one canopy end panel or one canopy end.

**3** Center bottom retainer angle on the bottom edge of the panel. The down flange of the angle **MUST** be flush with the interior side of the panel. Screw the bottom angle to the panel as shown.

**4** Insert the down flange of the retainer angle between the base end cover and the base shelf ...see page 1, at top. The rear edge of the panel must be flush against the upright.

