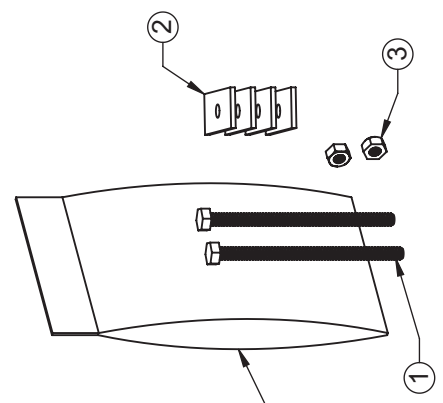
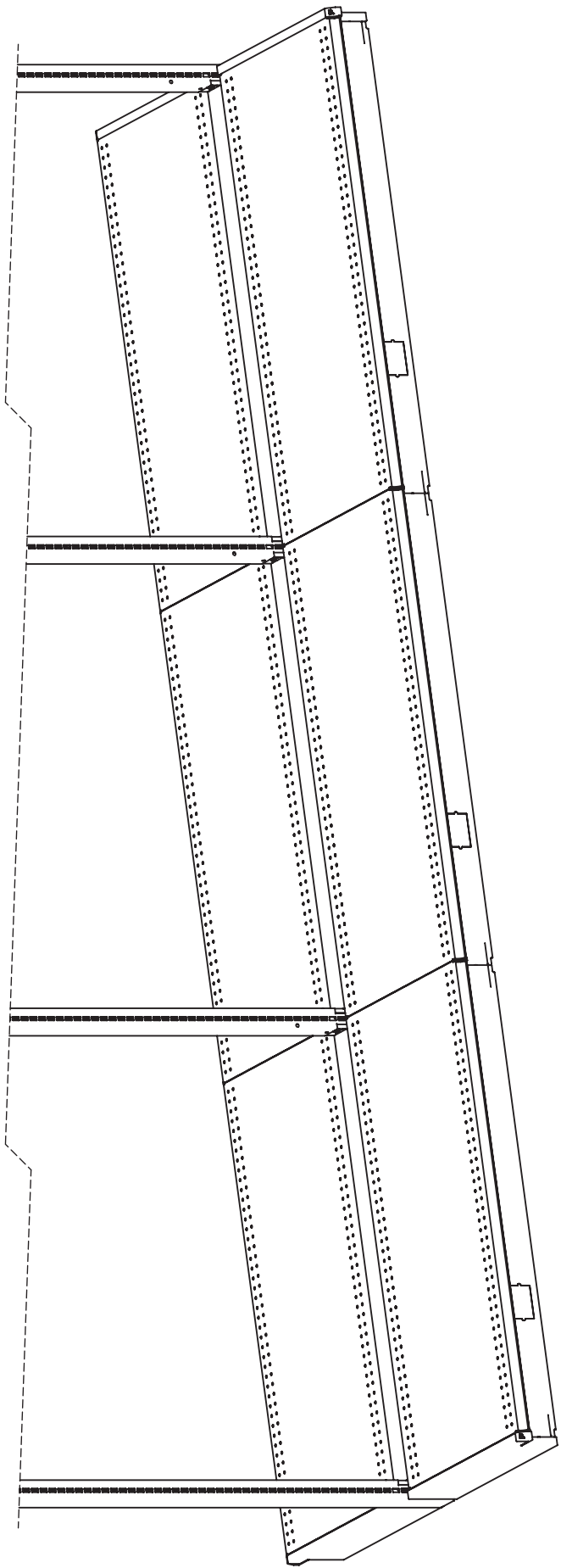


OPEN BACK STIFFENER

REV.	DESCRIPTION	DATE
03	ADDED NOTE 12 ON SHEET 5, RAISING UPRIGHT LEVELERS FROM FLOOR. RENUMBERED STEPS ON SHEET 6.	4/29/2019



7200-299
HARDWARE PACK
BAG

HARDWARE PACK 7200-299		
ITEM	DESCRIPTION	QTY
1	1/4-20 X 4" HEX HEAD MACHINE SCREW	2
2	OBS FASTENER PLATE	4
3	1/4-20 HEX NUT	2



WARNING (For Wood Products Only): Drilling, sawing, sanding or machining wood products can expose you to wood dust, a substance known to the State of California to cause cancer. Avoid inhaling wood dust or use a dust mask or other safeguards for personal protection. For more information go to www.P65Warnings.ca.gov/wood.



INSTALLATION INSTRUCTIONS

THIS SUPPLIER PREEEXISTING MATERIAL IS EXCLUSIVELY THE INTELLECTUAL PROPERTY OF MADIX INC. © 2019
20884 AL HWY 9 GOODWATER, AL 35072 256-639-6354
PO BOX 729 TERRELL, TX 75160 214-515-5400

DWG NO.:

ASY-042

CHANGE #:

500000021372

DESC: 0010-OPEN BACK STIFFNER

DATE: 20190429

DESIGNER: NDOTSON

03

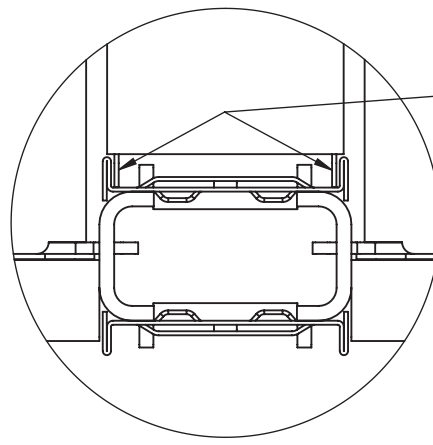
SHEET 1 OF 6

D

C

B

A



OBS FLANGES
MUST BE INSIDE OF
UPRIGHT FLANGES

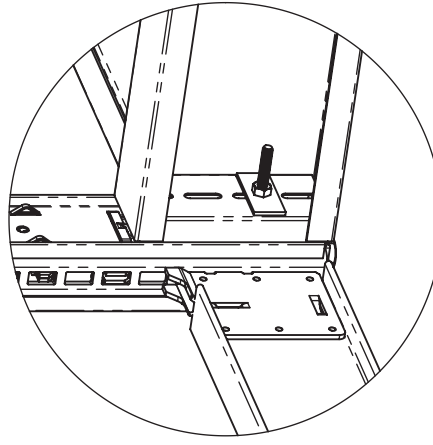


FIGURE 2

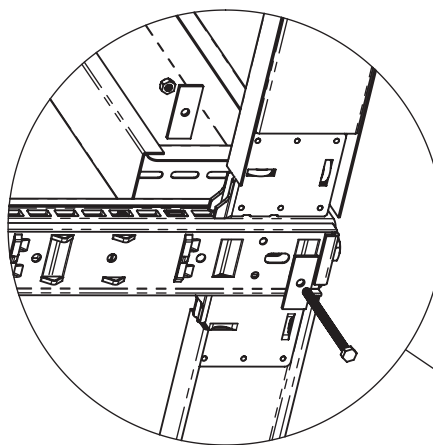
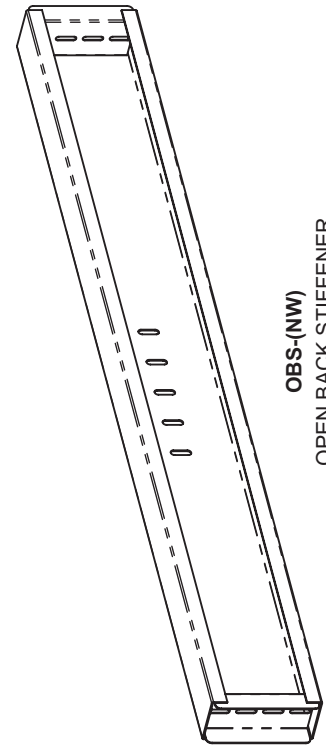
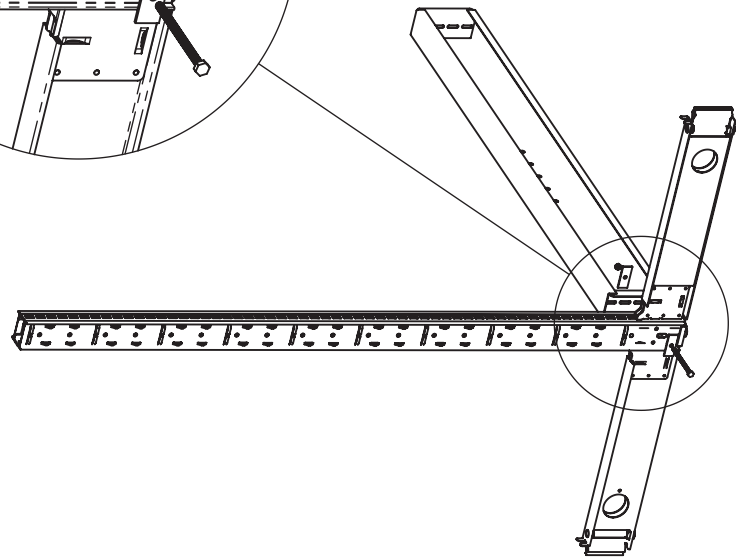


FIGURE 1



OBS-(NW)
OPEN BACK STIFFENER



1

2

3

4

D

C

B

A

1

2

3

4

STEP 1: INSTALL BASE SHOES INTO UPRIGHTS (ASY-046).

STEP 2: BOLT THE FIRST OBS TO THE FIRST UPRIGHT THROUGH THE BOTTOM SLOT (FIGURE 1), USING THE SCREW, PLATES AND NUT FROM HARDWARE PACK 7200-299. RAISE THE OBS UNTIL THE BOTTOM OF THE SLOT HITS THE SCREW BEFORE TIGHTENING SECURELY. (FIGURE 2)

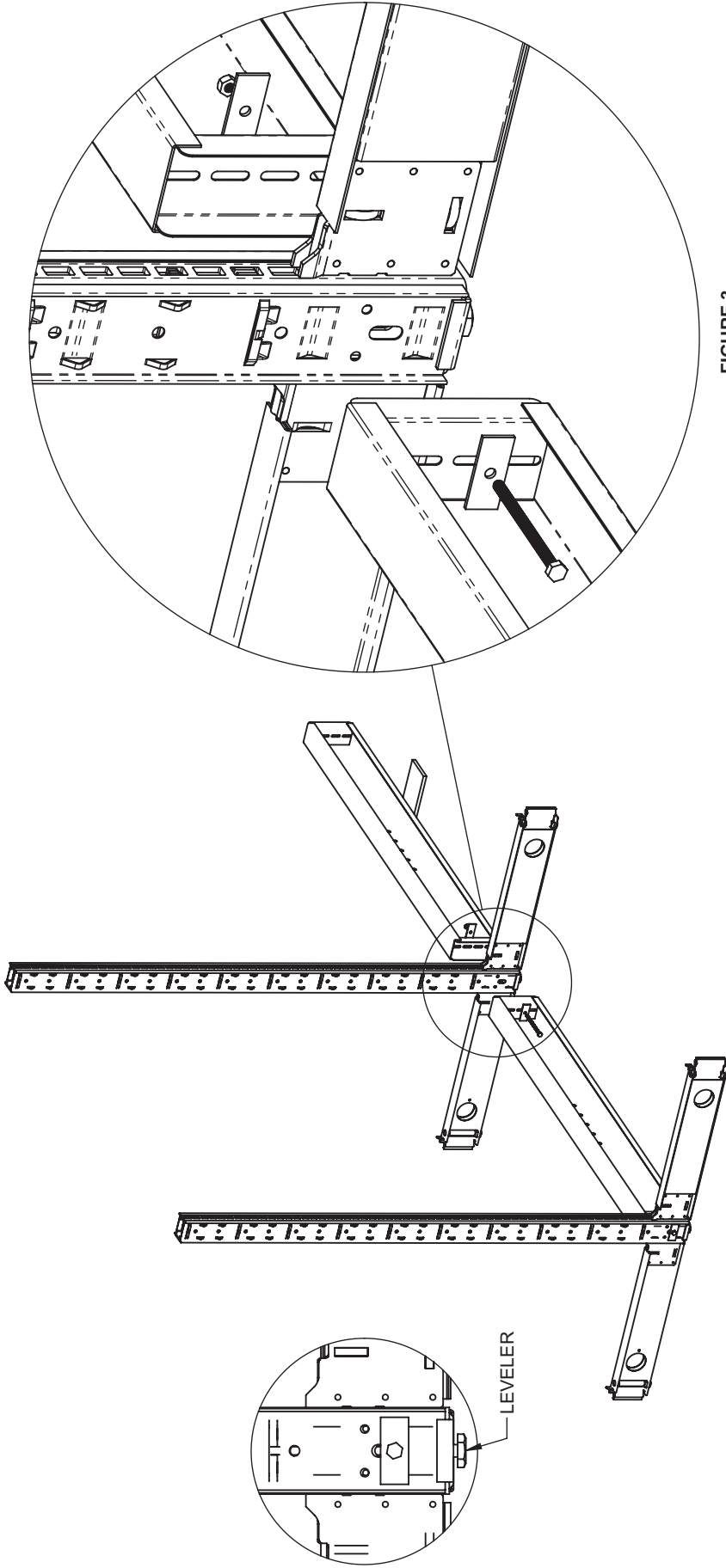
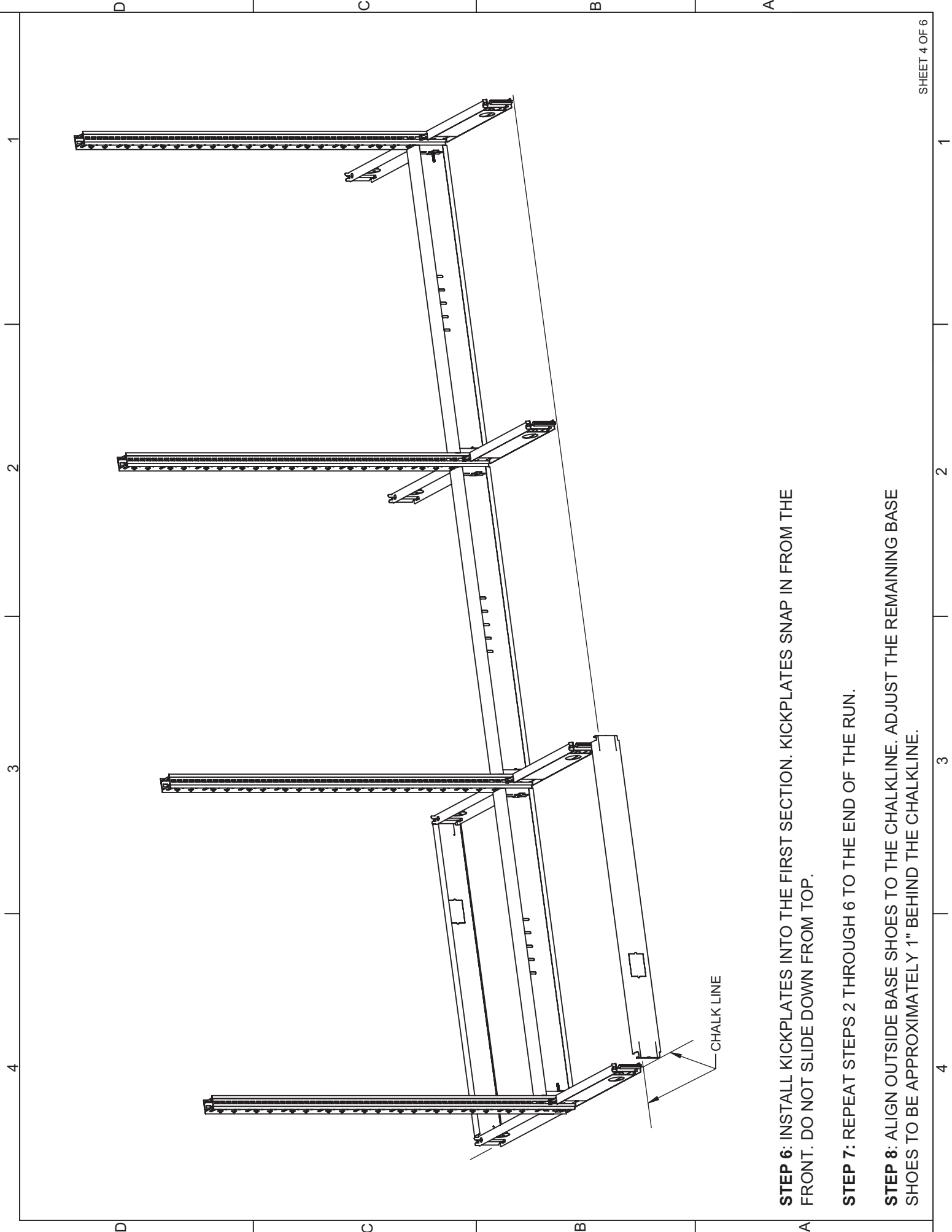


FIGURE 3

STEP 3: REPEAT STEP 2 WITH THE SECOND UPRIGHT/BASE SHOE ASSEMBLY (FIGURE 3) USING A PARTNER OR A SHIM TO HOLD UP THE UNSUPPORTED END OF THE OBS.

STEP 4: USE A LEVEL ACROSS THE FIRST OBS AND ADJUST THE FIRST AND SECOND UPRIGHT LEVELERS TO LEVEL THE OBS.

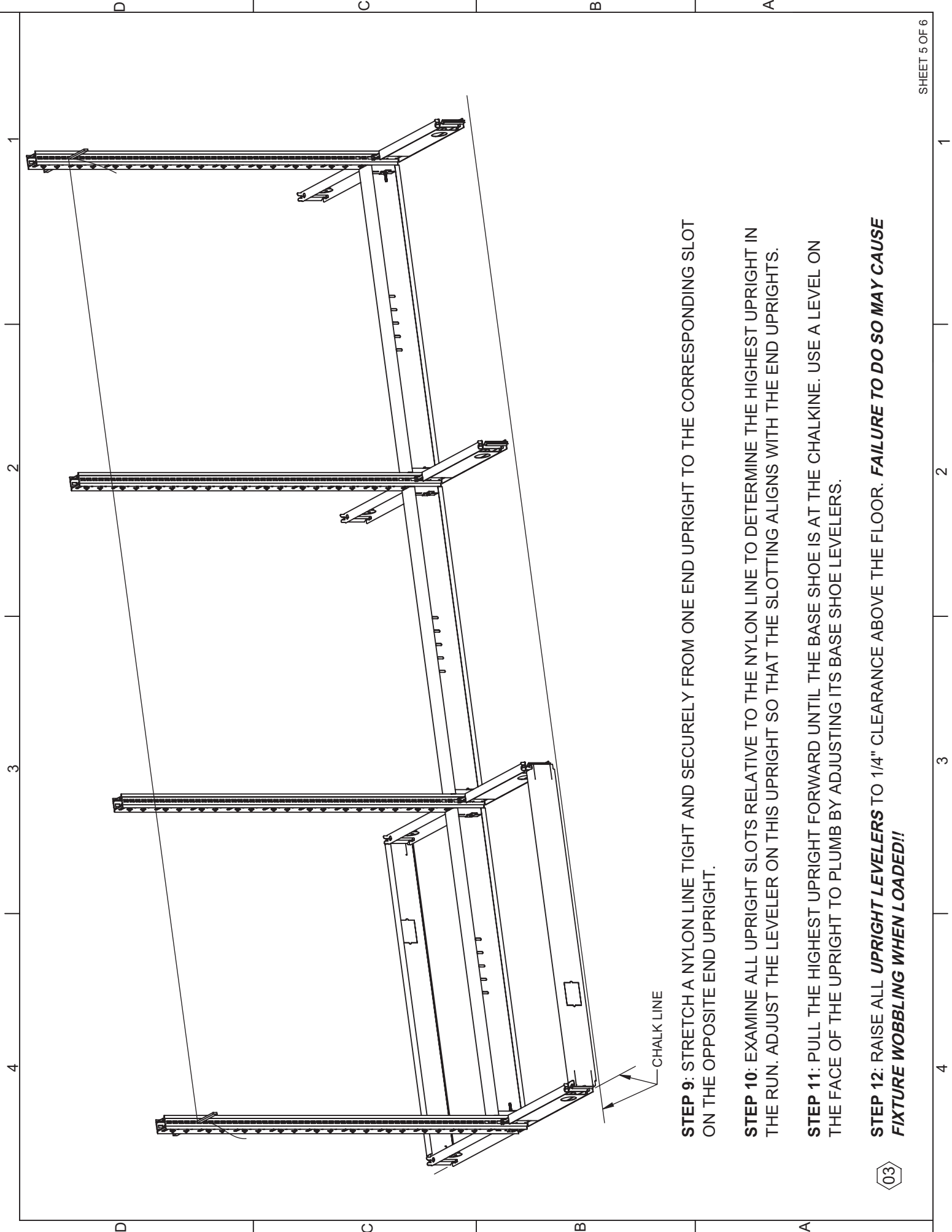
STEP 5: USE THE LEVEL ON THE FACE OF THE UPRIGHTS TO PLUMB BY ADJUSTING ITS BASE SHOE LEVELERS. **NOTE THAT ALL LEVELERS MUST BE TOUCHING THE FLOOR.** (UPRIGHT LEVELERS WILL BE RAISED 1/4" FROM FLOOR IN STEP 12, SHEET 5.)



STEP 6: INSTALL KICKPLATES INTO THE FIRST SECTION. KICKPLATES SNAP IN FROM THE FRONT. DO NOT SLIDE DOWN FROM TOP.

STEP 7: REPEAT STEPS 2 THROUGH 6 TO THE END OF THE RUN.

STEP 8: ALIGN OUTSIDE BASE SHOES TO THE CHALKLINE. ADJUST THE REMAINING BASE SHOES TO BE APPROXIMATELY 1" BEHIND THE CHALKLINE.

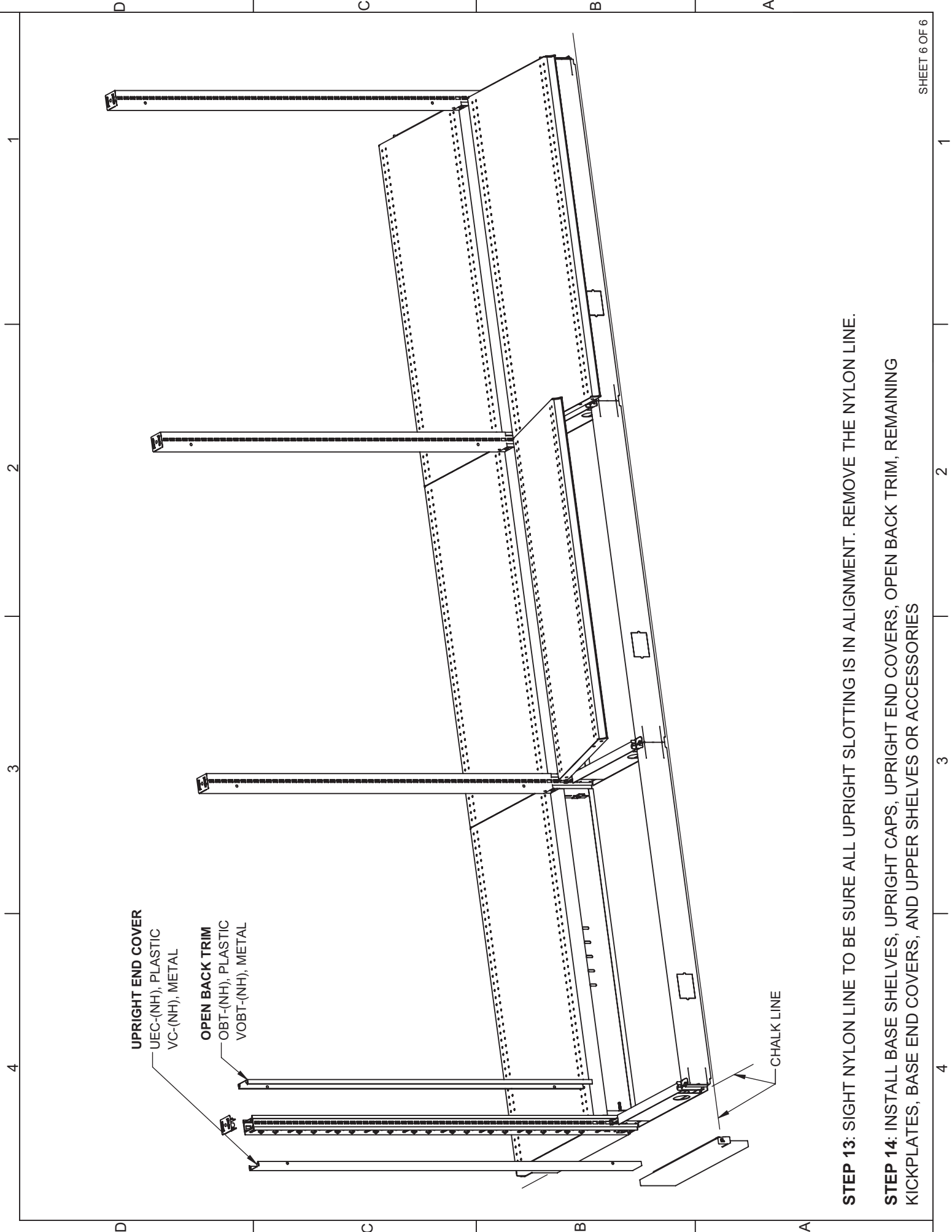


STEP 9: STRETCH A NYLON LINE TIGHT AND SECURELY FROM ONE END UPRIGHT TO THE CORRESPONDING SLOT ON THE OPPOSITE END UPRIGHT.

STEP 10: EXAMINE ALL UPRIGHT SLOTS RELATIVE TO THE NYLON LINE TO DETERMINE THE HIGHEST UPRIGHT IN THE RUN. ADJUST THE LEVELER ON THIS UPRIGHT SO THAT THE SLOTTING ALIGNS WITH THE END UPRIGHTS.

STEP 11: PULL THE HIGHEST UPRIGHT FORWARD UNTIL THE BASE SHOE IS AT THE CHALKLINE. USE A LEVEL ON THE FACE OF THE UPRIGHT TO PLUMB BY ADJUSTING ITS BASE SHOE LEVELERS.

STEP 12: RAISE ALL **UPRIGHT LEVELERS** TO 1/4" CLEARANCE ABOVE THE FLOOR. **FAILURE TO DO SO MAY CAUSE FIXTURE WOBBLING WHEN LOADED!!**



UPRIGHT END COVER
UEC-(NH), PLASTIC
VC-(NH), METAL

OPEN BACK TRIM
OBT-(NH), PLASTIC
VOBT-(NH), METAL

CHALK LINE

STEP 13: SIGHT NYLON LINE TO BE SURE ALL UPRIGHT SLOTTING IS IN ALIGNMENT. REMOVE THE NYLON LINE.

STEP 14: INSTALL BASE SHELVES, UPRIGHT CAPS, UPRIGHT END COVERS, OPEN BACK TRIM, REMAINING KICKPLATES, BASE END COVERS, AND UPPER SHELVES OR ACCESSORIES