

REV.	DESCRIPTION	DATE
01	REPLACED NYLON RIVETS WITH PROPER HARDWARE FROM 6351-013	12/17/2020

**NOTE: THIS HARDWARE PACK CONTAINS 30 SCREWS & 30 NUTS... ENOUGH FOR A STANDARD PACK OF 10 SHELF RETAINERS... 3 SCREWS & NUTS PER SHELF.**

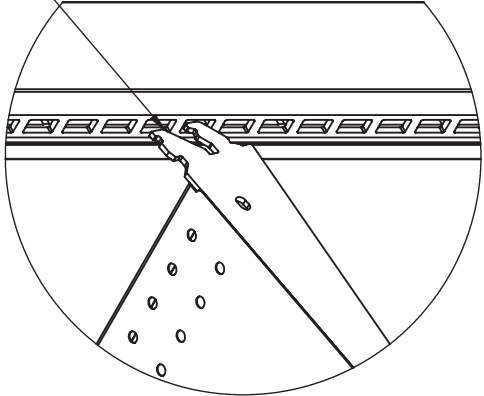
**STEP 1:** INSTALL SHELVES IN UPRIGHT AT DESIRED HEIGHT IN FLAT OR DOWNSLOPE POSITION.

**STEP 2:** LAY OUT SHELF RETAINERS, SCREWS, AND NUTS ON SHELVES.

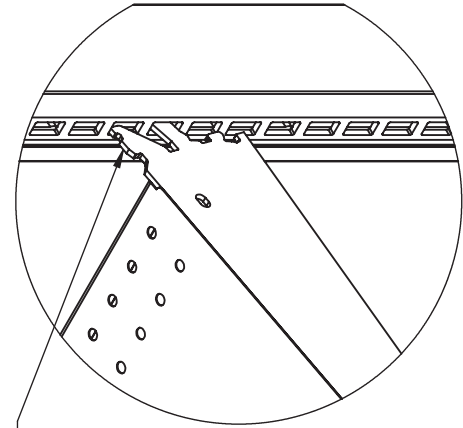
**STEP 3:** INSERT THE SCREWS DOWN THROUGH SHELF RETAINER SLOTS AND SHELF PERFORATIONS AND ATTACH THE NUTS TO THE TO THE OTHER END OF THE SCREWS.

**STEP 4:** ADJUST SHELF RETAINER ENDS TO BE FLUSH WITH SHELF ENDS. THEN TIGHTEN ALL SCREWS.

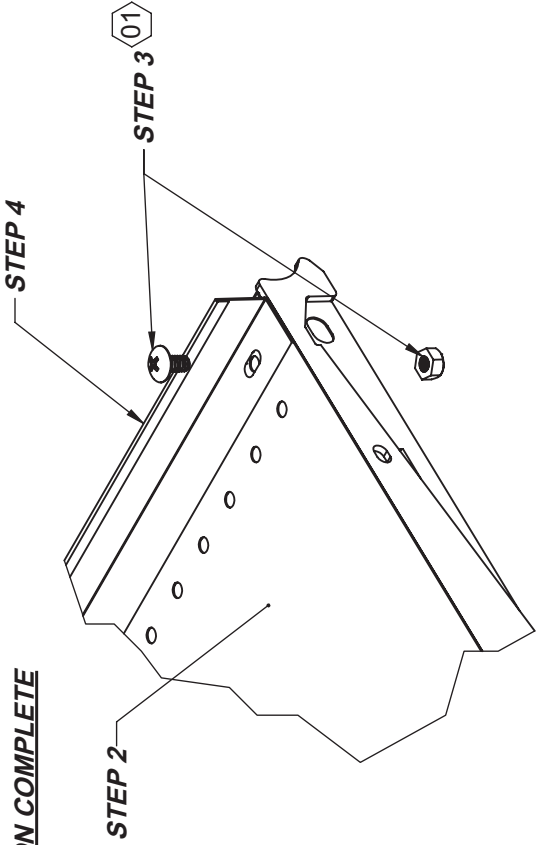
**INSTALLATION COMPLETE**



**TWO TAB SHLEF (8" - 18")  
INSTALLED IN CORRECT  
DOWNSLOPE POSITION.**



**THREE TAB SHLEF (20" - 30")  
INSTALLED IN CORRECT  
DOWNSLOPE POSITION.**



**WARNING (For Wood Products Only):** Drilling, sawing, sanding or machining wood products can expose you to wood dust, a substance known to the State of California to cause cancer. Avoid inhaling wood dust or use a dust mask or other safeguards for personal protection. For more information go to [www.P65Warnings.ca.gov/wood](http://www.P65Warnings.ca.gov/wood).



**INSTALLATION INSTRUCTIONS**

THIS SUPPLIER PREEEXISTING MATERIAL IS EXCLUSIVELY THE INTELLECTUAL PROPERTY OF MADIX INC. © 2020  
20884 AL HWY 9 GOODWATER, AL 35072 256-639-6354  
PO BOX 729 TERRELL, TX 75160 214-515-5400

DWG NO.:

**ASY-037**

CHANGE #:

**500000023400**

DESC: SHELF RETAINER

DATE: 20201217

DESIGNER: KPRESLEY

01

SHEET 1 OF 1