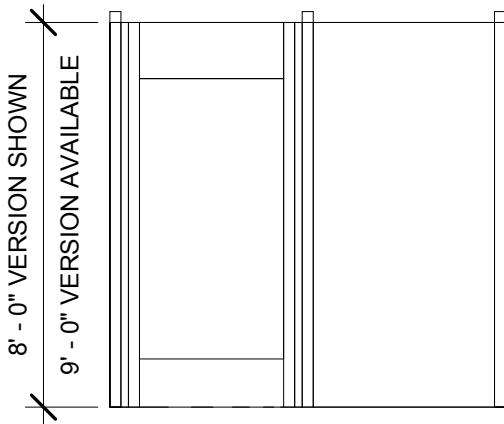
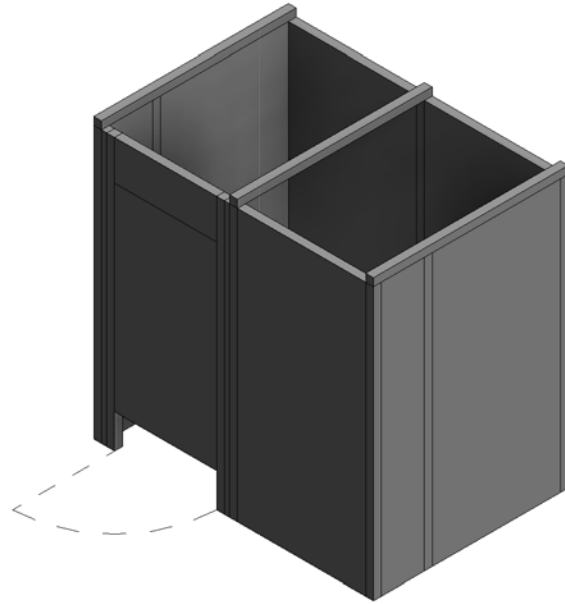
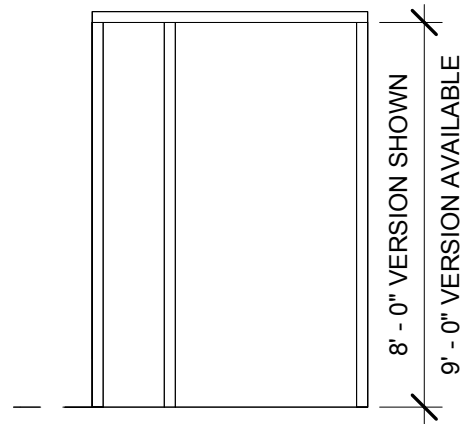


PLAN



FRONT ELEVATION



SIDE ELEVATION



www.madixinc.com

MADIX - REVIT DRESSING ROOM

TUBE LINE ADA STANDING,
STARTER

Project number 18233

Date 01.07.2019

Drawn by PM

Checked by BS

TLFS ADA S

Scale 1/4" = 1'-0"