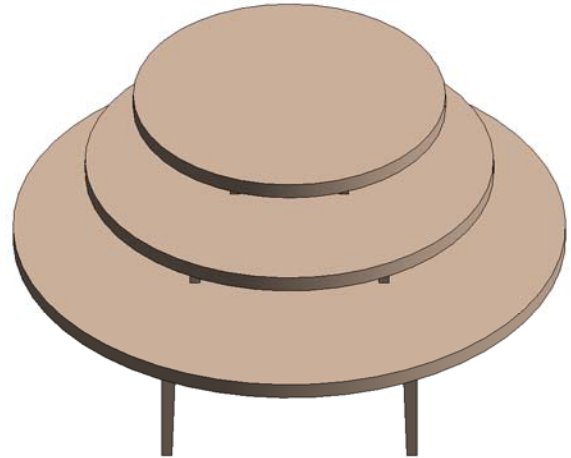
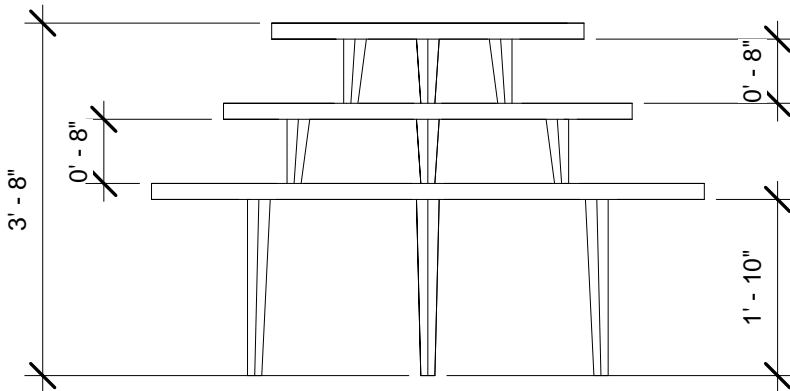


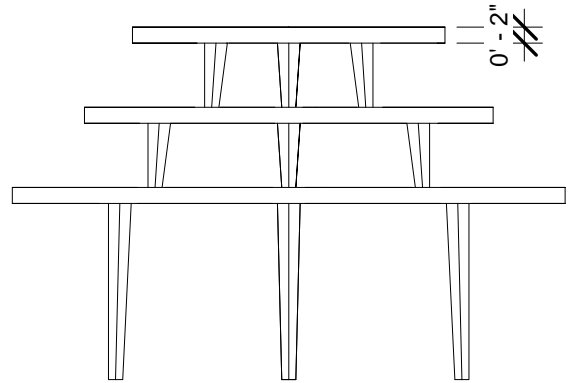
PLAN



3d PERSPECTIVE



FRONT ELEVATION



SIDE ELEVATION

Round Stacking Tables



www.madixinc.com

Madix Revit
Family

Architectural View

Project number 12056-150

Date 6/19/12

Drawn by AS

Checked by ND

ST

Scale 1/2" = 1'-0"