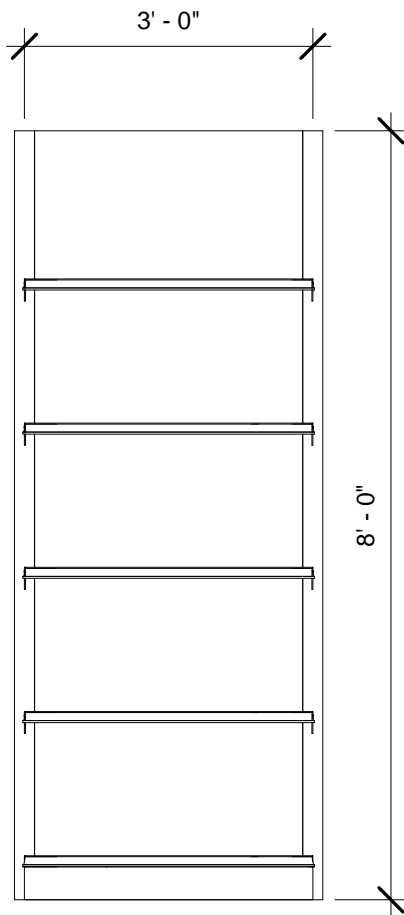
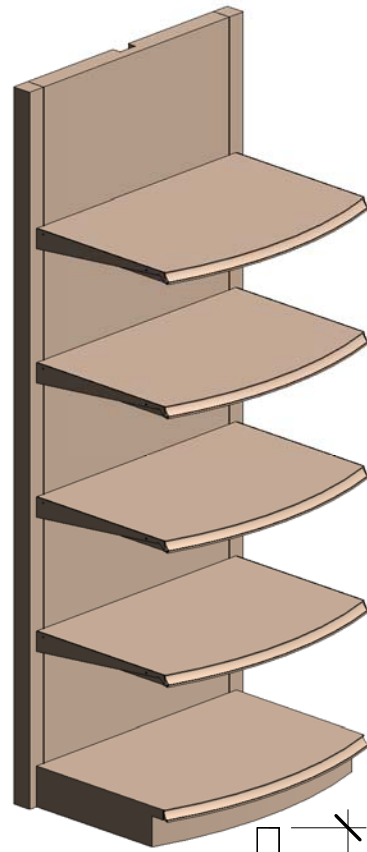


PLAN

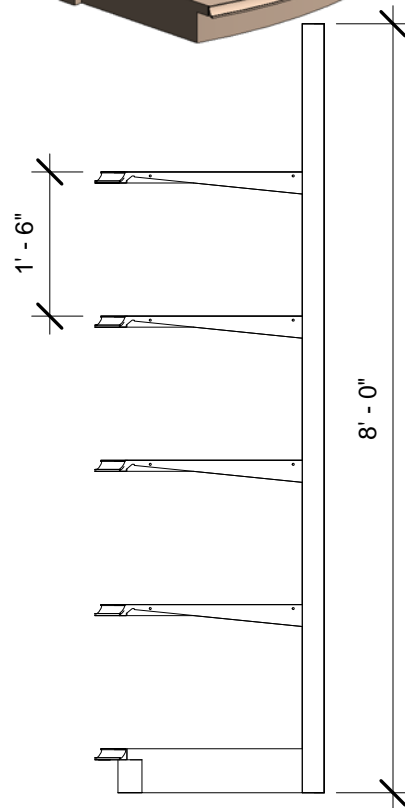


FRONT ELEVATION

3D PERSPECTIVE



SIDE ELEVATION



Maxi Line Convex End



www.madixinc.com

Madix Revit Family

Architectural View

Project number 12056-150

Date 6/19/12

Drawn by AS

Checked by ND

ML13

Scale 1/2" = 1'-0"