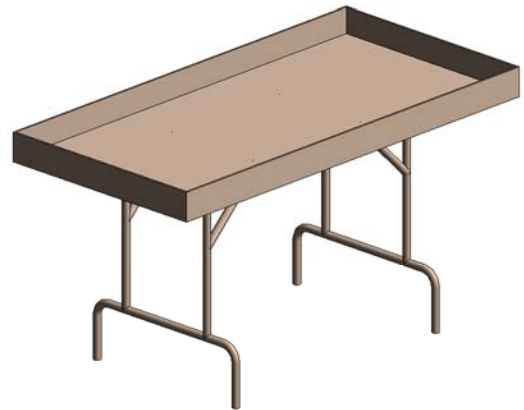
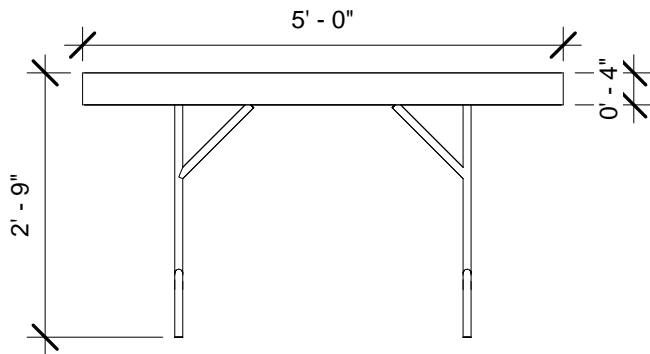


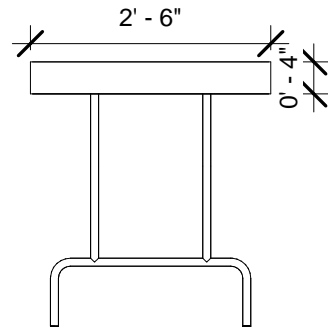
PLAN



3D PERSPECTIVE



FRONT ELEVATION



SIDE ELEVATION

Folding Promotional Table



www.madixinc.com

Madix Revit
Family

Architectural View

Project number 12056-150

Date 6-22-12

Drawn by AS

Checked by ND

FT

Scale 1/2" = 1'-0"