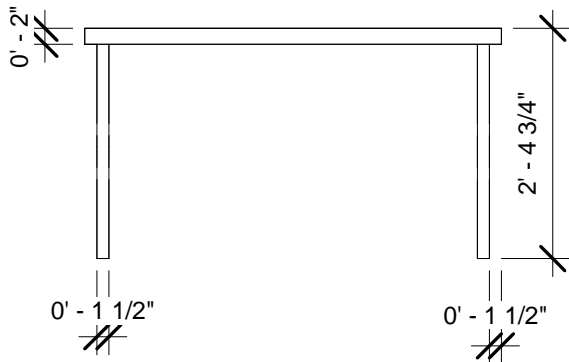


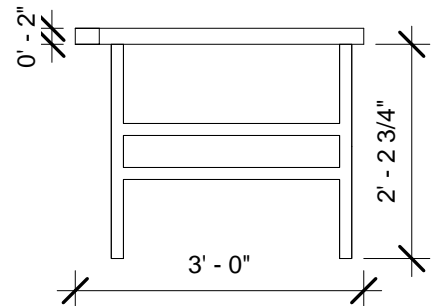
PLAN



3d PERSPECTIVE



FRONT EVLEVATION



SIDE ELEVATION

Large Display Table



www.madixinc.com

Madix Revit
Family

Architectural View

Project number 12056-150

Date 6/19/12

Drawn by AS

Checked by ND

DT21

Scale 1/2" = 1'-0"