



Luxe

Patent Pending
The Alternative to Custom Fixtures

madix[™]
INNOVATION ON DISPLAY



Luxe Aisle and Wall Fixture

Luxe is the softer approach to metal fixtures, allowing retailers to create fashionable, multifunctional displays without hassle or added expense. Clean lines and rounded edges give Luxe the upscale appearance of a custom look, while the use of Maxi Line and Tube Line accessories maintain the efficiency and affordability of standard cataloged products. (Patent pending.)

Luxe

Patent Pending

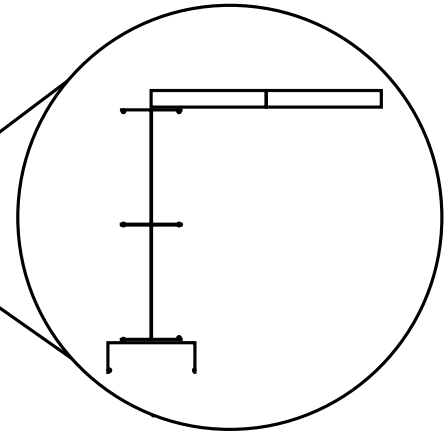
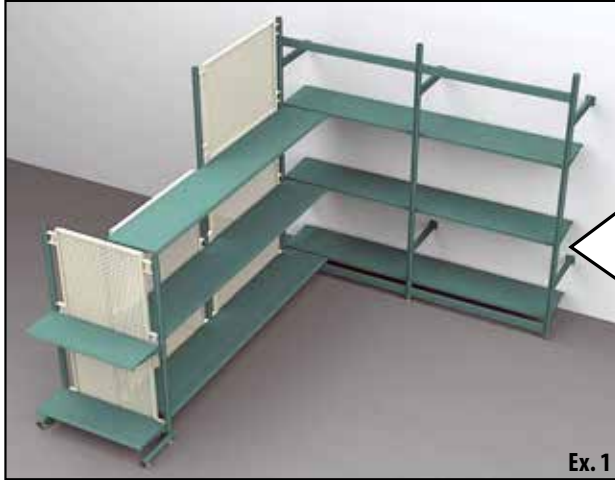


- Luxe features a unique, patent-pending slotting system that is compatible with standard Maxi Line and Tube Line shelving, accessories, and other merchandising pieces
- Integrative back panel systems that are made of wire and perforated metal
- Slotted posts give retailers the capability to extend the fixture in four directions
- Versatile options ranging from tables to freestanding units
- Unique post system can also be attached to walls
- Upgrades and re-configurations are simple and efficient

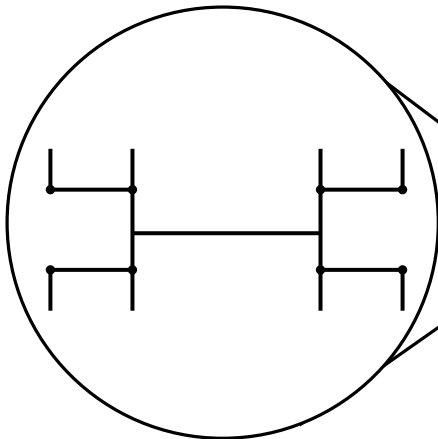


Example Layouts of Luxe Aisle and Wall Fixture

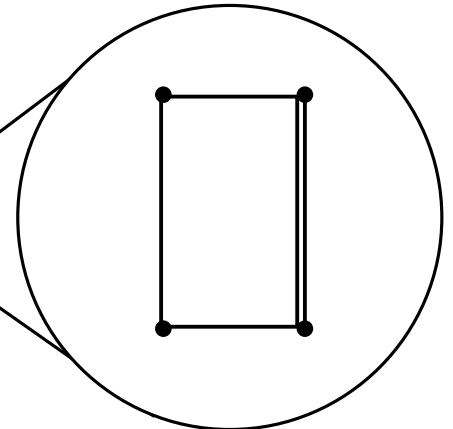
Store Within a Store



Power Tower



End Cap Focus



Luxe T-Uprights with Leg on Both Sides

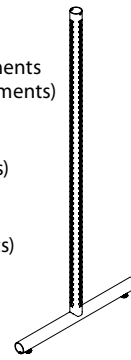
- T-Upright with center slotted upright and 2 legs which is used for 2-sided merchandising application or where stability is required
- Slotted 1" (25 mm) OC on 4 sides to produce a wide array of fixture configurations
- All standard Maxi Line and Tube Line accessories work with Luxe Merchandising System
- Optional Caster to be used on: T-Uprights Wall Outriggers Upright Only, when used as a Table or other stable configurations

LUXT-(NH)(NDL)(NDR)(OPT)

- LUXT.....Luxe T-Upright
- NH.....Nominal Height 36" to 96" in 6" increments
(914 mm to 2438 mm in 152 mm increments)
- NDL.....Nominal Depth Left
12" to 24" in 2" increments
(305 mm to 610 mm 51mm increments)
- NDR.....Nominal Depth Right
12" to 24" in 2" increments
(305 mm to 610 mm 51 mm increments)
- OPT.....Blank= Leveler
C= Casters



Optional castor



NOTE!

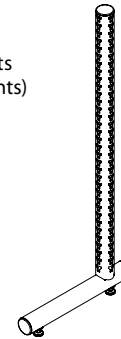
DO NOT use casters on L- Uprights unless supported on rear by another Luxe fixture. Contact your Sales Consultant regarding application.

Luxe L-Uprights with Leg on One Side

- L-Upright with center slotted upright and 1 leg which is used for 1-sided merchandising applications
- Slotted 1" (25 mm) OC on 4 sides to produce a wide array of fixture configurations
- All standard Maxi Line and Tube Line accessories work with Luxe Merchandising System

LUXL-(NH)(ND)

- LUXL.....Luxe L-Upright
- NH.....Nominal Height 36" to 96" in 6" increments
(914 mm to 2438 mm in 152 mm increments)
- ND.....Nominal Depth
12" to 24" in 2" increments
(305 mm to 610 mm 51 mm increments)

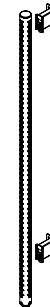


Luxe Wall Outrigger Upright & Bracket

- Luxe upright without legs used for perimeter merchandising applications
- Mounted off the perimeter wall by 3", 6", 12", or 18" (76 mm, 152 mm, 305 mm, or 457 mm)
- All standard Maxi Line and Tube Line accessories work with Luxe Merchandising System

LUXWO-(NH)(ND)

- LUXWO.....Luxe Wall Outrigger
- NH.....Nominal Height 60" to 120" in 6" increments
(1524 mm to 3048 mm in 152 mm increments)
- ND.....Nominal Depth 03", 06", 12", 18"
(76 mm, 152 mm, 305 mm, 457 mm)

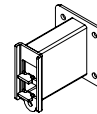


Luxe Wall Outrigger Bracket Only

- Bracket mounts off the perimeter wall by 3", 6", 12", or 18" (76 mm, 152 mm, 305 mm, or 457 mm)

LUXWOTB(ND)

- LUXW.....Luxe Wall
- OTB.....Outrigger Bracket Only
- ND.....Nominal Depth 03", 06", 12", 18"
(76 mm, 152 mm, 305 mm, 457 mm)



Luxe Wall Outrigger Upright Only

- Luxe Outrigger upright only
- Use for tables, benches, and 4-post square configuration
- Nominal Height 24"-120" in 6" increments
(610 mm to 3048 mm in 152 mm increments)

LUXP(NH)(OPT)

- LUXP.....Luxe Wall Outrigger Post Only
- NH.....Nominal Height 24" to 120" in 6" increments
(610 mm to 3048 mm in 152 mm increments)
- OPT.....Blank= Leveler
C= Casters

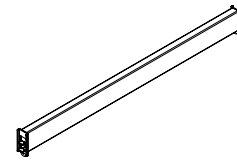


Luxe Tie Bar

- Use Tie Bar when no backs are being used to stabilize aisles and walls
- Minimum of two required per section

LUXTB-(NW)

LUXTB.....Luxe Tie Bar
 NW.....Nominal Width 18" to 48" in 6" increments
 (457 mm to 1219 mm in 152 mm increments)

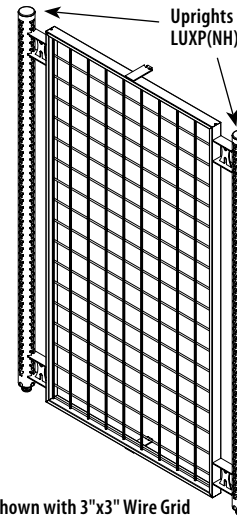


Luxe End Frame Panel

- Uses two Luxe Posts and an End Frame Panel which attaches to T-Upright behind Luxe End Panel Kit (ordered separately)

LUXEFP(TYPE)(NH)(NW)

LUXEFP.....Luxe End Frame Panel
 TYPE.....MSP=Metal Square Perforated
 MPG=Multi-Grid
 HG=Harmonic Grid
 WG=3"x3" Wire Grid (76 mm x 76 mm)
 NH.....Nominal Height 36" to 96" in 6" increments
 (914 mm to 2438 mm in 152 mm increments)
 NW.....Nominal Width 18" to 48" in 6" increments
 (457 mm to 1219 mm in 152 increments)



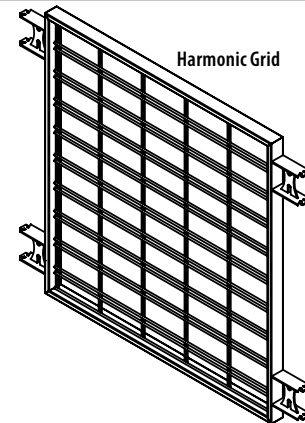
Shown with 3"x3" Wire Grid

Shown with 3"x3" Wire Grid

Luxe Back Panels

LUXB(TYPE)(NH)(NW)

LUXB.....Luxe Back Panels
 TYPE.....MSP=Metal Square Perforated
 MPG=Multi-Grid
 HG=Harmonic Grid
 WG=3"x3" Wire Grid (76 mm x 76 mm)
 NH.....Nominal Height 24", 30", 36", 42", 48"
 (610 mm, 762 mm, 914 mm, 1067 mm, 1219 mm)
 NW.....Nominal Width 18" to 48" in 6" increments
 (457 mm to 1219 mm in 152 increments)



Shown with Harmonic Grid



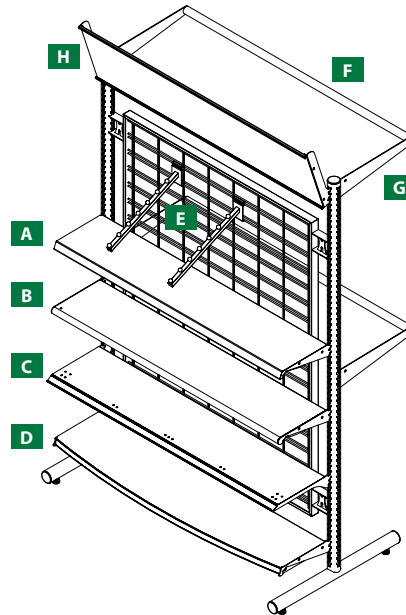
Shown with Metal Square Perforated



Shown with 3"x3" Wire Grid

Accessories

	Part Number
A	Flush Front Upper Shelf
B	Bullnose Upper Shelf
C	Thin Profile Shelf, Light-Duty
D	Standard Upper with Multi Radius Concave Front
E	Waterfall Displays for Wire Grid
F	Hang Rod
G	Hang Rod Bracket
H	Wing Shelf Sign Holder, 3 Position

**A Flush Front Upper Shelf**

- Smooth, dust-free edge ideal for merchandising without tag molding
- Versatility of three positions: Flat, 15° downslope, 30° downslope
- Non-perforated available

FFUS-(NW)(ND)

FFUS.....Flush Front Upper Shelf
 NW.....Nominal Width 3' or 4'
 (914 mm or 1219 mm)
 ND.....Nominal Depth 12" to 30" in 2" increments
 (305 mm to 762 mm in 51 mm increments)

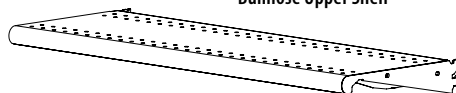
**B Bullnose Upper Shelf**

- Same form, fit, and function of Standard Upper Shelf, allowing the use of front fence and dividers
- Fits 1" OC slotting (25 mm)
- Radius front measures 1¼" (32 mm) high
- Available in variety of finishes
- Non-perforated available

SUSBN(NW)(ND)(NP)

S.....Standard
 U.....Upper
 S.....Shelf
 BN.....Bullnose
 NW.....Nominal Width 24" to 48" in 6" increments
 (610 mm to 1219 mm in 152 mm increments)
 ND.....Nominal Depth 12" to 30" in 2" increments
 (305 mm to 762 mm in 51 mm increments)
 NP.....Non-Perforated

Bullnose Upper Shelf

**Tube Line Shelf with Wood Top**

- Flat, 15° downslope and 12° upslope
- Load capacity 100 lbs

TLTRASWT(NW)(ND)

TLTR.....Tube Line T-Rack
 ASWT.....Shelf with Wood Top
 NW.....Nominal Width 18" to 48" in 6" increments
 (457 mm to 1219 mm in 152 mm increments)
 ND.....Nominal Depth 08" to 30" in 2" increments
 (203 mm to 762 mm in 51 mm increments)

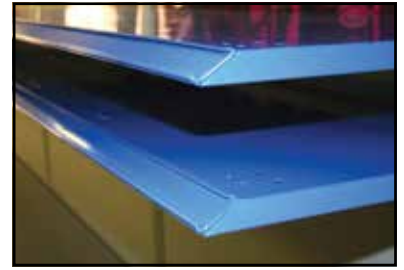


Thin Profile Shelf, Light-Duty

- Madix's thinnest profile shelf
- Slimness of shelf allows additional row of shelves
- Angled tag molding creates attractive pricing display
- No pushers required to display merchandise
- Ideal for tightly spaced and lightweight merchandise

PLSTTSLD(NW)(ND)

- PLSTTS.....Thin Profile Shelf
 LD.....Light-Duty
 NW.....Nominal Width 36" or 48"
 (914 mm or 1219 mm)
 ND.....Nominal Depth 10" to 20" in 2" increments
 (254 mm to 610 mm in 51 mm increments)

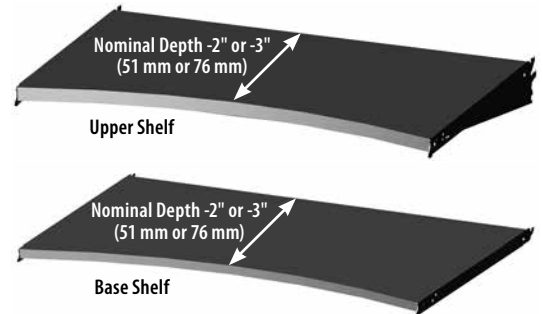


Standard Upper with Multi Radius Concave Front

- Draws customers' attention to merchandise
- Gradual inward curve 2" or 3" (51 mm or 76 mm) less than depth of brackets at curved vertex
- Standard DGA2 tag molding built into each shelf available in satin, gold, or customer's choice of finish
- Patented

SUSMRFC(NW)(ND)-(ID)

- SUS.....Standard Upper Shelf
 MRFC.....Multi Radius Concave Front
 NW.....Nominal Width 24", 36" or 48"
 (610 mm, 914 mm or 1219 mm)
 ND.....Nominal Depth 10" to 24" in 2" increments
 (254 mm to 610 mm in 51 mm increments)
 ID.....Inversion Depth 2" or 3"
 (51 mm or 76 mm)



Bottom View



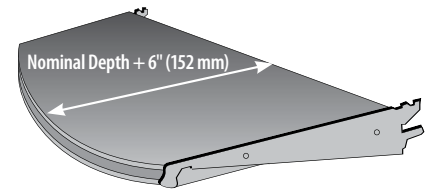
Top View

Standard Upper Shelf with Radius Front

- Gradual outward curve 6" (152 mm) greater than depth of brackets at curve vertex
- Available in Regular-Duty or Heavy-Duty
- Laminate finish available

SUSRF(TYPE)-(NW)(ND)

- SUS.....SUS=Upper Shelf
 RF.....Radius Front
 TYPE.....Blank=Regular-Duty
 HD=Heavy-Duty
 NW.....Nominal Width 3' or 4'
 (914 mm or 1219 mm)
 ND.....Nominal Depth 12" to 30" in 2" increments
 (305 mm to 787 mm in 51 mm increments)

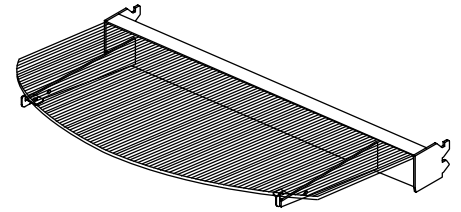


Lumishelf™ Radius LED Shelf Assembly

- Radius Lumishelf™ Surface and Frame has an overall depth of LSSRA that is the nominal depth plus 6" (152 mm)
Example: LSSRA-3614 would have actual depth of 20" (508 mm)
- Load capacity 100 lbs

LSSRA(NW)(ND)-(OPT)

- LSSRA.....Radius Lumishelf™ Surface with RGSFF Frame Assembly
- NW.....Nominal Width 36" or 48" (914 mm or 1219 mm)
- ND.....Nominal Depth 14", 16", or 18" (356 mm, 406 mm or 457 mm)
- OPT.....Blank= No Reflector
R=Optional Reflector

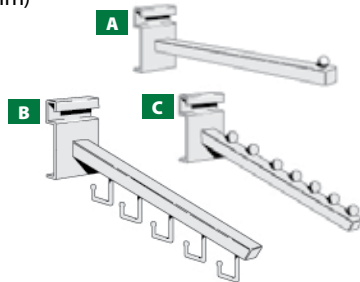


E Waterfall Displayers for Wire Grid

- One inch square (25 mm x 25 mm) chrome plated tubing
- A** Straight Arm, projects 12" (305 mm)
- B** J-Hook Waterfall, projects 16" (406 mm)
- C** Waterfall, projects 16" (406 mm)

WG(TYPE)

- WG.....Wire Grid
- TYPE.....FOS= Straight Arm Displayer
FOJ= J-Hook Waterfall Displayer
FOW=Waterfall Displayer



J-Hook Waterfall



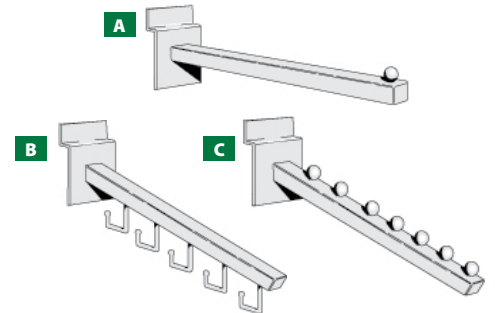
Waterfall

Waterfall Displayers for Slatwall

- One inch square chrome plated tubing
- A** Straight Arm, projects 12" (305 mm)
- B** "J" Hook Waterfall, projects 16" (406 mm)
- C** Waterfall, projects 16" (406 mm)

S(TYPE)

- S.....Slatwall
- (TYPE).....FOS= Straight Arm Displayer
FOJ="J" Hook Waterfall Displayer
FOW=Waterfall Displayer



F Hang Rod

- Chrome Plated Standard
- Painted available

HR-(NW)

- HR.....Hang Rod
- NW.....Nominal Width 24" to 48" in 6" increments (610 mm to 1219 mm in 152 mm increments)



G Hang Rod Bracket

- Painted

HRB-(ND)

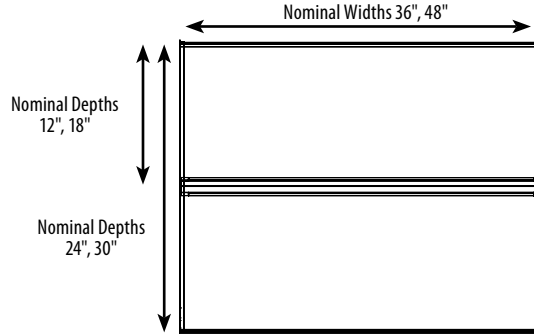
- HRB.....Hang Rod Bracket
- ND.....Nominal Depth 4" to 30" in 2" increments (102 mm to 762 mm in 51 mm increments)



Wing Shelf Sign Holder, 3-Position

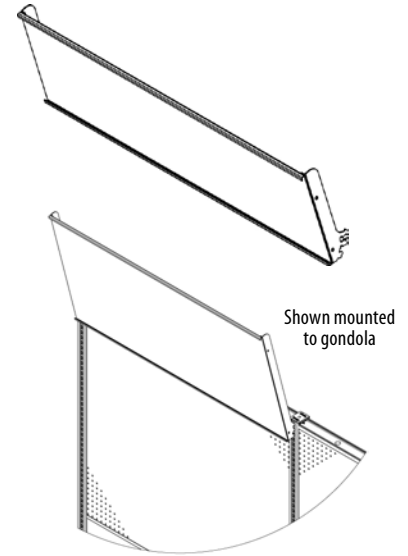
- 15°, 30° and 45° angles
- Customer-supplied signage dimensions–
Widths: 36" (914 mm) or 48" (1219 mm)
Heights: please refer to chart below
Thickness: ¼" (6 mm)

Nominal Depth	Sign Height	Quantity Needed
12"	11.875"	1
18"	17.875"	1
24"	11.875"	2
30"	14.875"	2



WSSH3P-(NW)(ND)

WSSH.....Wing Shelf Sign Holder
 3P.....Three Position
 NW.....Nominal Width 36" or 48"
 (914 mm or 1219 mm)
 ND.....Nominal Depth 12", 18", 24", 30"
 (305 mm, 457 mm, 610 mm, 762 mm)

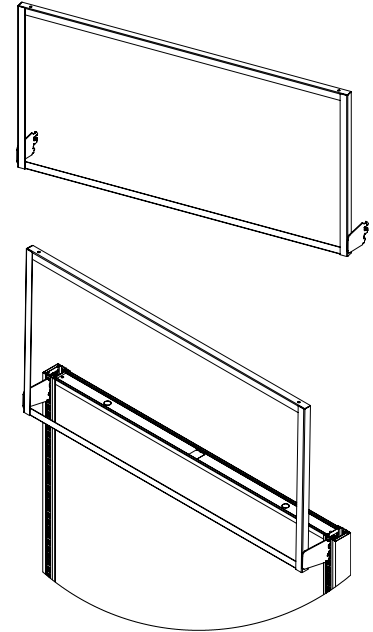


Gondola Header Sign, Basic Upright Mounted

- Customer-supplied signage dimensions–
36"W x 24"H = 35.438"W x 23.812"H
(914 mm x 610 = 900 mm x 605 mm)
48"W x 24"H = 47.738"W x 23.812"H
(1219 mm x 610 = 1213 mm x 605 mm)
- Thickness: ¼" (6 mm)

GHSBABUM(NW)(NH)

GSHSA.....Gondola Header Sign Holder Angled
 BU.....Basic Upright
 M.....Mounted
 NW.....Nominal Width 36" or 48"
 (914 mm or 1219 mm)
 NH.....Nominal Height 24"
 (610 mm)





Luxe Queuing Solution

Put method back into the madness of checkout lines! Madix's Luxe Queuing Solution helps retailers boost sales by reducing wait time in the checkout area, improving customer satisfaction and strengthening brand loyalty.

Our Luxe Queuing Solution feeds one line of customers to multiple registers in an orderly and efficient manner, minimizing customer frustration. And with the variety of configurations available, retailers have the flexibility to promote more impulse merchandise and services at a consistent exposure level. Our Luxe Queuing Solution offers almost all standard Madix shelves and accessories.

Build Your Own

Once you've determined your queuing layout, our three-step design process can help you create the perfect solution for your store's needs. It's just 1, 2, 3... and you're done!

1 Pick Your Post

Choose your height and type of Luxe Queuing Post
40", 48", 66", or 72" high (1016 mm, 1219 mm, 1676 mm, or 1829mm)

2 Pick Your Back

Select the height, material, and type of your backing component.

3 Pick Your Accessories

Mix and match accessories from our other product lines

1 Pick Your Post

Pick your height and type of Luxe Queuing Post:
40", 48", 66", or 72" high (1016 mm, 1219 mm, 1676 mm, or 1829mm)

Luxe Queuing Post Slotted on Two (2) Sides

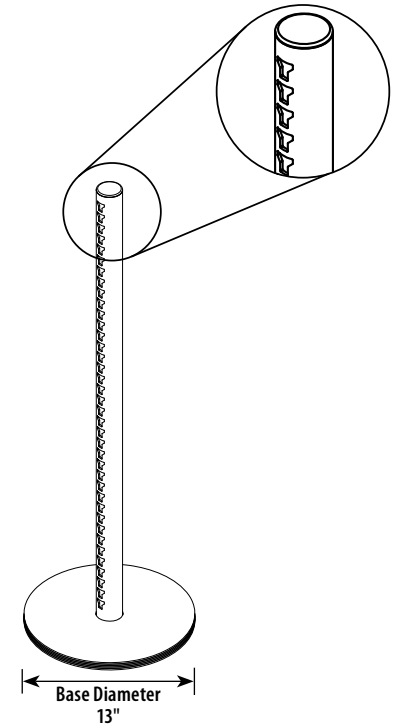
- The section's back material (Pegboard, Grid, Slatwall, or Megawall) is used to support the shelves and accessories, not the posts' slots
- Creates a clean look (no front-facing visible slots)
- Base diameter of 13" (330 mm)

LUQP(NH)S2

LUQP.....Luxe Queuing System Post
NH.....Nominal Height 40", 48", 66", or 72"
(1016 mm, 1219 mm, 1676 mm, or 1829 mm)
S2.....Slotted 2-Sided



Queuing Post Detail



Luxe Queuing Post Slotted on Four (4) Sides

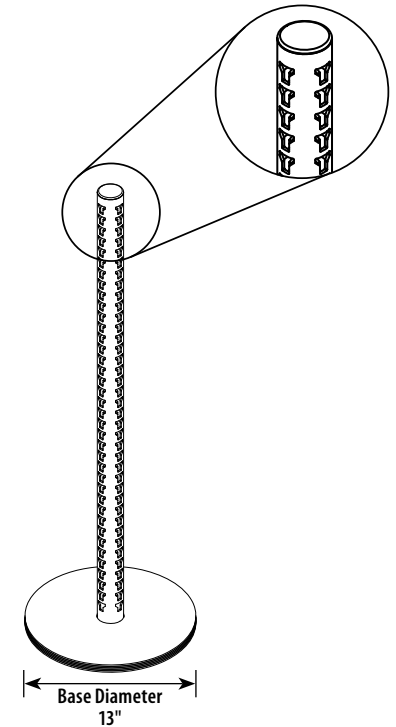
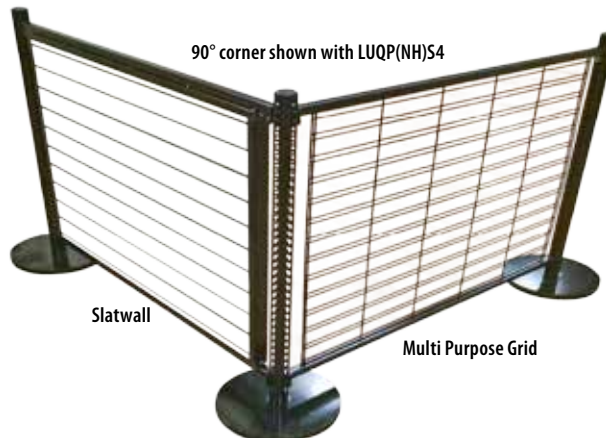
- Especially designed for Maxi Shelves and Accessories (with brackets)
- Provides the most flexibility for configurations—four slots allow for 90° turns in four different directions
- Creates sharp, neat corners without need for filler panels
- Base diameter of 13" (330 mm)

LUQP(NH)S4

LUQP.....Luxe Queuing System Post
NH.....Nominal Height 40", 48", 66", or 72"
(1016 mm, 1219 mm, 1676 mm, or 1829 mm)
S4.....S4=Slotted 4-Sided



Queuing Post Detail



2 Pick Your Back *Pick your height, type, and material of back*

Heights

- Nominal 40" high sections which can be used in all post heights 40", 48", 66", or 72" (1016 mm, 1219 mm, 1676 mm, or 1829mm)
- Nominal 48" high sections which are used in posts 48", 66", or 72" (1219 mm, 1676 mm, or 1829mm)

Back Options

- 1" x 1" (25 mm x 25 mm) Crossbars two (2) required per section
- Hardboard Two (2) sides
- Pegboard Two (2) sides
- Slatwall Two (2) sides
- Slatwall One (1) side
- MegaWall™ Two (2) sides
- Grid Backs One (1) side
- Grid Backs Two (2) side

Usable space on all wire panels

Size Nominal Width x Nominal Height	Usable Space Actual Width x Actual Height
24" x 40"	17.5" x 33"
24" x 48"	17.5" x 41"
36" x 40"	29.5" x 33"
36" x 48"	29.5" x 41"
48" x 40"	41.5" x 33"
48" x 48"	41.5" x 41"

Usable space on pegboard, MegaWall™, and slatwall

Size Nominal Width x Nominal Height	Usable Space Actual Width x Actual Height
24" x 40"	16.438" x 31.125"
24" x 48"	16.438" x 39.125"
36" x 40"	28.438" x 31.125"
36" x 48"	28.438" x 39.125"
48" x 40"	40.438" x 31.125"
48" x 48"	40.438" x 39.125"

Luxe Queuing Hardboard Backs on Two (2) Sides

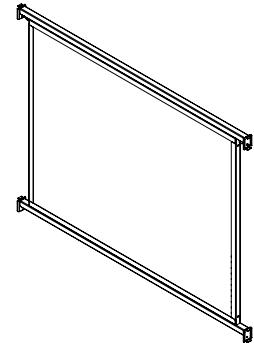
- Nominal widths are 24", 36", and 48" (610 mm, 914 mm, and 1219 mm)
- Nominal heights are 40" or 48" (1016 mm or 1219 mm)
- Available with hardboard backs on both sides, back is a one-piece unit and easily installs into side slots of the Luxe Queuing Post
- Also available with pegboard on one side and hardboard on the other

LUQB(OPT)DP(NW)(NH)

- LUQB.....Luxe Queuing System Back
- OPT.....HH=Hardboard Two Sides
HP=Hardboard Back & Pegboard
- DP.....Double Panel
- NW.....Nominal Width 24", 36", or 48"
(640 mm, 914 mm, or 1219 mm)
- NH.....Nominal Height 40" or 48"
(1016 mm or 1219 mm)

Finish Code

- FIN1.....Metal
- FIN2.....Back One
- FIN3.....Back Two



Luxe Queuing Pegboard Backs on Two (2) Sides

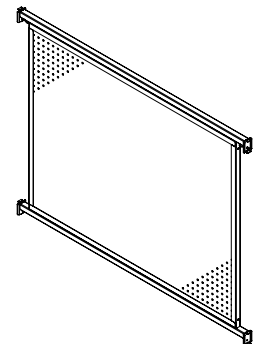
- Nominal widths are 24", 36", and 48" (610 mm, 914 mm, and 1219 mm)
- Nominal heights are 40" or 48" (1016 mm or 1219 mm)
- Pegboard backs on both sides, back is a one-piece unit and easily installs into side slots of the Luxe Queuing Post
- Also available with pegboard on one side and hardboard on the other

LUQB(OPT)DP(NW)(NH)

- LUQB.....Luxe Queuing System Back
- OPT.....PP=Pegboard Two Sides
HP=Hardboard Back & Pegboard
- DP.....Double Panel
- NW.....Nominal Width 24", 36", or 48"
(640 mm, 914 mm, or 1219 mm)
- NH.....Nominal Height 40" or 48"
(1016 mm or 1219 mm)

Finish Code

- FIN1.....Metal
- FIN2.....Back One
- FIN3.....Back Two



Luxe Queuing Slatwall Backs on One (1) Side

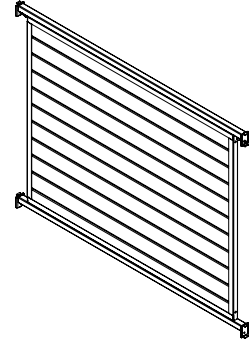
- Nominal widths are 24", 36", and 48" (610 mm, 914 mm, and 1219 mm)
- Nominal heights are 40" or 48" (1016 mm or 1219 mm)
- Slatwall back on one side, flat on rear
- Back is a one-piece unit and easily installs into side slots of the Luxe Queuing Post
- If the One side slatwall back is painted, front slatwall and flat interior will be painted the same color
- The flat interior side can be laminated, if the slatwall side (back one) is painted or laminated

LUQB(B1)SP(NW)(NH)

LUQB.....Luxe Queuing System Back
 B1Back Option
 SWL=Slatwall Laminated
 SWP=Slatwall Painted
 SP.....Single Panel
 NW.....Nominal Width 24", 36", or 48"
 (640 mm, 914 mm, or 1219 mm)
 NH.....Nominal Height 40" or 48"
 (1016 mm or 1219 mm)

Finish Code

FIN1Metal
 FIN2.....Back One (front & back same color only)
 FIN3.....Inserts One
 FIN4.....Interior Back (laminated option only)



Luxe Queuing Slatwall Backs on Two (2) Sides

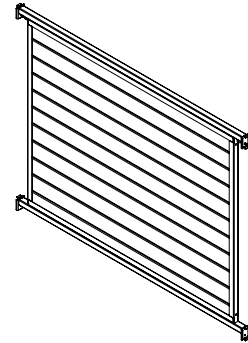
- Nominal widths are 24", 36", and 48" (610 mm, 914 mm, and 1219 mm)
- Nominal heights are 40" or 48" (1016 mm or 1219 mm)
- Slatwall backs on two sides
- Back is a one-piece unit and easily installs into side slots of the Luxe Queuing Post

LUQB(B1)(B2)DP(NW)(NH)

LUQB.....Luxe Queuing System Back
 B1Back Option One
 SWL=Slatwall Laminated
 SWP=Slatwall Painted
 B2.....Back Option Two
 SWL=Slatwall Laminated
 SWP=Slatwall Painted
 DP.....Double Panel
 NW.....Nominal Width 24", 36", or 48"
 (640 mm, 914 mm, or 1219 mm)
 NH.....Nominal Height 40" or 48"
 (1016 mm or 1219 mm)

Finish Code

FIN1Metal
 FIN2.....Back One
 FIN3.....Inserts One
 FIN4.....Back Two
 FIN5.....Inserts Two



Luxe Queuing MegaWall™ Backs on Two (2) Sides

- Nominal widths are 24", 36", and 48" (610 mm, 914 mm, and 1219 mm)
- Nominal heights are 40" or 48" (1016 mm or 1219 mm)
- MegaWall™ Back Panel Insert is slotted on two sides ONLY
- MegaWall™ Backs are 2" OC slotting
- Back is a one-piece unit and easily installs into side slots of the Luxe Queuing Post

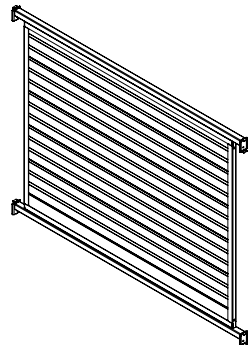
LUQBMW(NW)(NH)

LUQB.....Luxe Queuing System Back
 MW.....MegaWall™
 NW.....Nominal Width 24", 36", or 48"
 (640 mm, 914 mm, or 1219 mm)
 NH.....Nominal Height 40" or 48"
 (1016 mm or 1219 mm)

Finish Code

FIN1Frame
 FIN2.....MegaWall™

2" OC

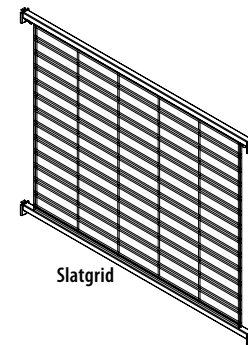


Luxe Queuing Wire Grid Backs with One (1) Panel Per Section

- Nominal widths are 24", 36", and 48" (610 mm, 914 mm, and 1219 mm)
- Nominal heights are 40" or 48" (1016 mm or 1219 mm)
- Wire Grid back is center mounted in each section
- Back is a one-piece unit and easily installs into side slots of the Luxe Queuing Post

LUQB(TYPE)SP(NW)(NH)

LUQB.....Luxe Queuing System Wire Back
 TYPE.....Grid Type
 SG=Slatgrid
 MG=Mini Grid
 MPG=Multi-Purpose Grid
 2X2=2x2 Grid
 3X3= 3x3 Grid
 MSG=Modified Slatgrid
 MHG=Modified Harmonic Grid
 SP.....Single Panel
 NW.....Nominal Width 24", 36", or 48"
 (640 mm, 914 mm, or 1219 mm)
 NH.....Nominal Height 40" or 48"
 (1016 mm or 1219 mm)



Slatgrid

Luxe Queuing Wire Grid Backs with Two (2) Panels Per Section

- Nominal widths are 24", 36", and 48" (610 mm, 914 mm, and 1219 mm)
- Nominal heights are 40" or 48" (1016 mm or 1219 mm)
- Two wire grid backs are mounted in each section, allowing independent merchandising
- Back is a one-piece unit and easily installs into side slots of the Luxe Queuing Post

LUQB(TYPE)DP(NW)(NH)

LUQB.....Luxe Queuing System Wire Back

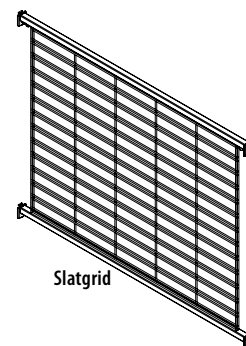
TYPE.....Grid Type

- SG=Slatgrid
- MG=Mini Grid
- MPG=Multi-Purpose Grid
- 2X2=2x2 Grid
- 3X3= 3x3 Grid
- MSG=Modified Slatgrid
- MHG=Modified Harmonic Grid

DP.....Double Panel

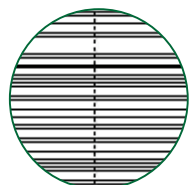
NW.....Nominal Width 24", 36", or 48"
(640 mm, 914 mm, or 1219 mm)

NH.....Nominal Height 40" or 48"
(1016 mm or 1219 mm)

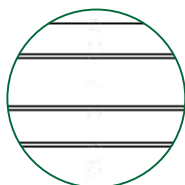


Slatgrid

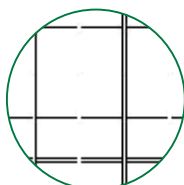
Optional Grid Backs



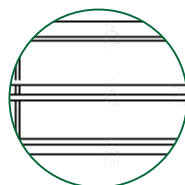
Mini Grid



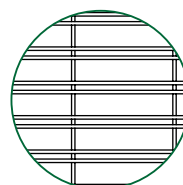
Multi-Purpose Grid



2' x 2' or 3' x 3'
Mesh Grid



Slatgrid & Harmonic Grid



Modified Slatgrid

Luxe Queuing Fixture Post Connector Rail

- Nominal widths are 24", 36", and 48" (610 mm, 914 mm, and 1219 mm)
- Rails are installed across post where shelving and accessories are not needed
- Produces an open look with greater merchandise visibility in the queuing area
- Minimum of two (2) required per section, more can be added if required

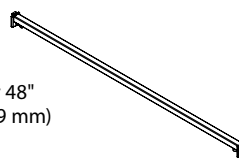
LUQFPCR(NW)(OPT)

LUQF.....Luxe Queuing Fixture

PCR.....Post Connector Rail

NW.....Nominal Width 24", 36", or 48"
(640 mm, 914 mm, or 1219 mm)

OPT.....Blank=Locking
NL=Non-Locking

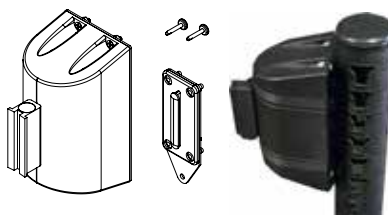


Luxe Queuing Retractable Retainer

- Retractable belt fits into the face of the post/stanchion
- Housing and receiving clip easily hangs and is secured to the slots in the Luxe Post
- Can be moved where needed
- 5½"H x 3"W x 3" D, retainer extends 7½"

LUQRR

LUQRR.....Luxe Queuing Retractable Retainer



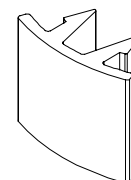
Luxe Backing Locking Insert

- All backs [except LUQFPC(NW)] include four (4) locking inserts
- Pack of 8 inserts

LUXBLI-BLK

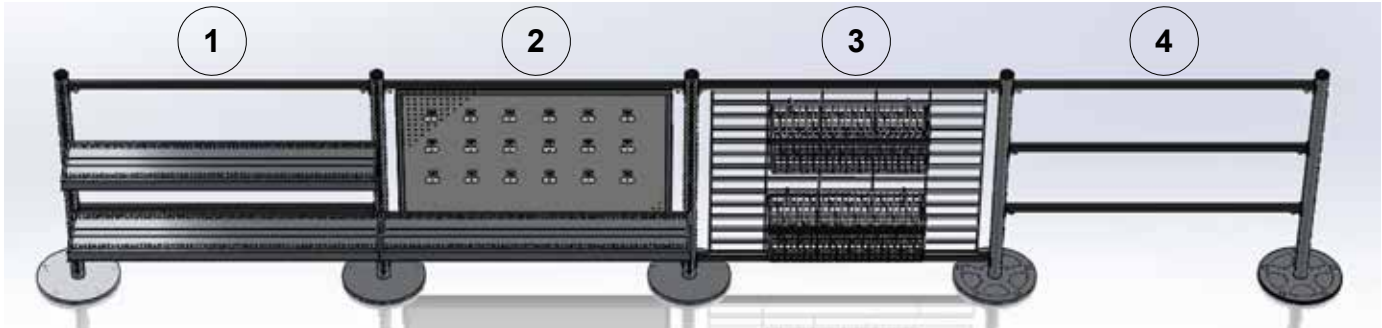
LUXBLI.....Luxe Back Locking Insert

BLK.....Black



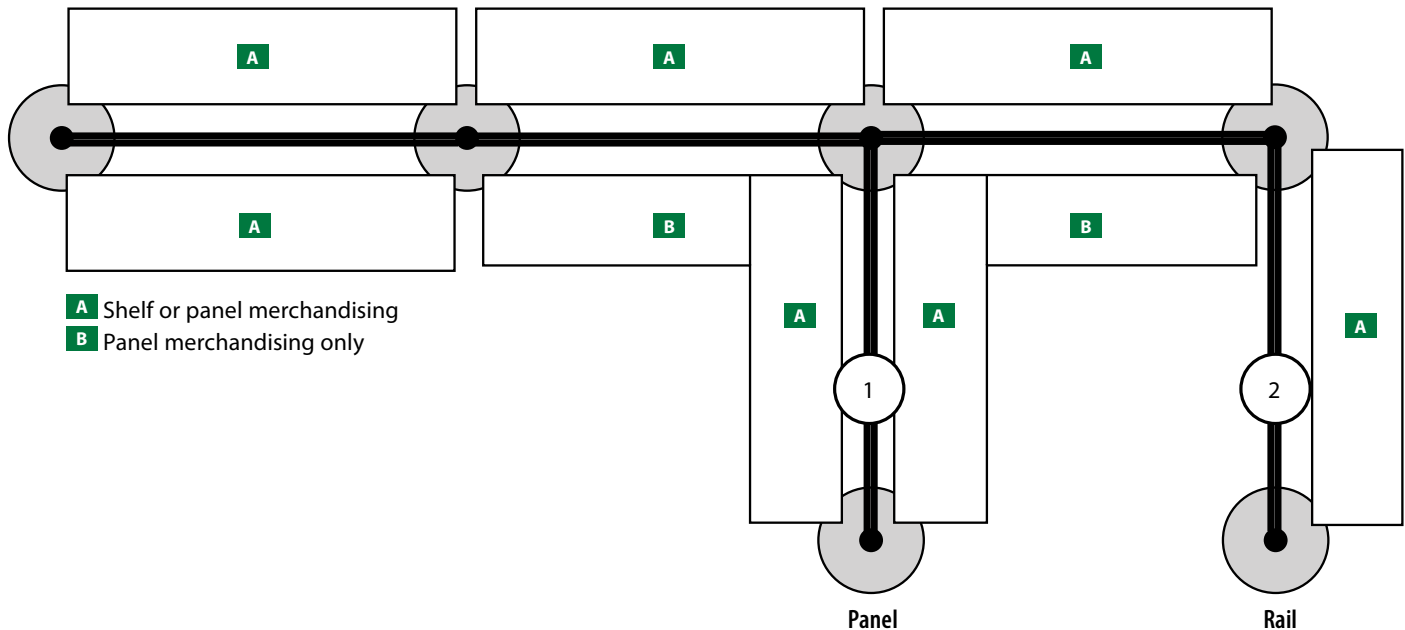
Merchandising the Luxe Queuing System

1. If a section has a 4-sided post and only rails, it can only have shelf merchandising.
2. If a section has a 4-sided post and a panel that can be merchandised, it can have a shelf and panel merchandising.
3. If a section has a 2-sided post and a panel that can be merchandised, it can only be panel merchandised.
4. If a section has a 2-sided post and only rails, it **can not** be merchandised.



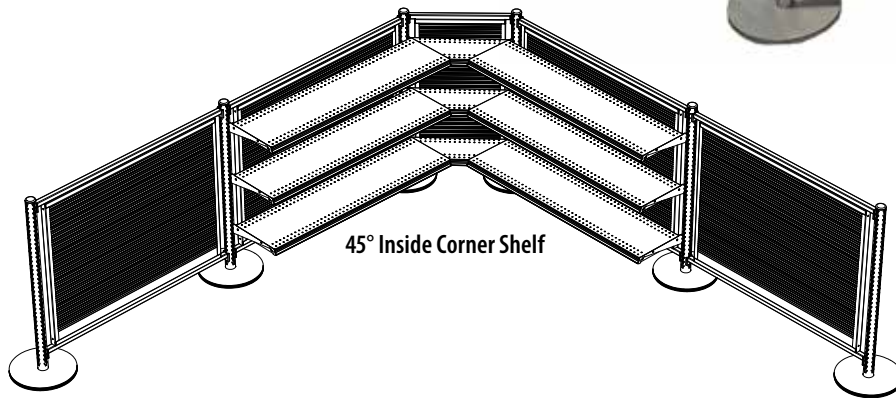
Certain panel placement can restrict merchandising capabilities

1. Plan below uses all posts with slots on four sides.
2. If a panel blocks the slots on a post, shelf merchandising **is not** possible.
3. Exception: If connection rails are used, (see number four above) shelf merchandising is possible between the connector rails where the slots are not used.

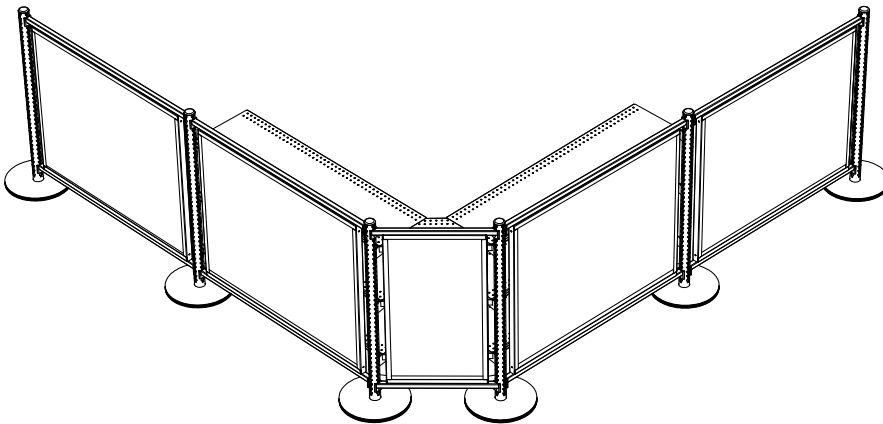


Luxe Queuing: 45-Degree Inside Corner Panel and Shelf

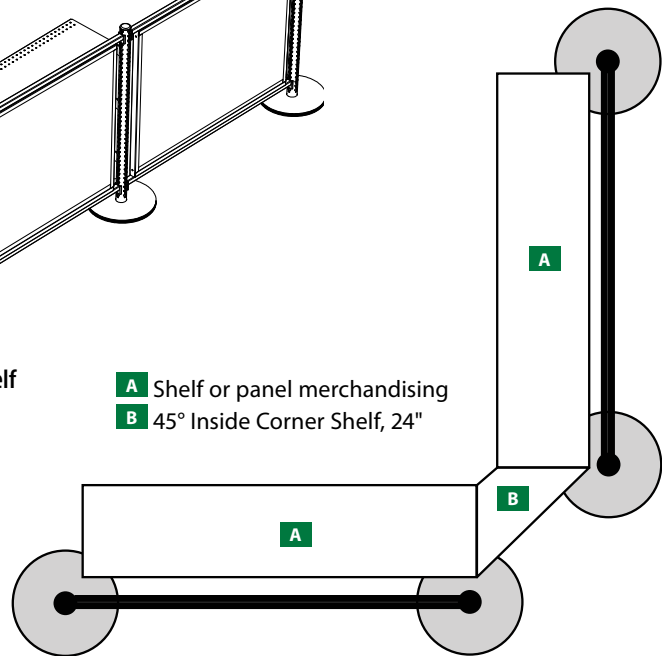
A new angle for impulse merchandising! Madix's most flexible queuing solution, Luxe Queuing, now comes with accessories specifically designed to cut corners and extend merchandising space. The Inside Corner Panel connects two perpendicular side panels to create a 45-degree "bend," creating a softer, more aesthetic appearance. Plus, using the corresponding Inside Corner Shelf, retailers can build seamless shelving runs that not only look great, but perform even better!



45° Inside Corner Shelf



Outside of 45° Inside Corner Shelf



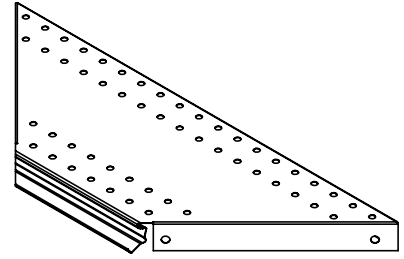
- A** Shelf or panel merchandising
- B** 45° Inside Corner Shelf, 24"

Luxe 45° Corner Shelf

- Maximum shelf depth is 10" (254 mm) only

LUQSUS45-10

- LUQ.....Luxe Queuing
- SUS.....Standard Upper Shelf
- 45.....45°
- 10.....Nominal Depth 10" (254 mm)

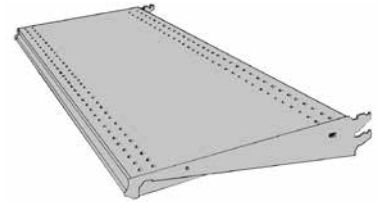


Standard Upper Shelf

- Maximum shelf depth is 10" (254 mm) only

SUS-(NW)10

- SUS.....Standard Upper Shelf
- NW.....Nominal Width 2' to 4' in 6" increments
(610 mm to 1219 mm in 152 mm increments)
- 10.....Nominal Depth 10" (254 mm)



Luxe Queuing Post Slotted on Four (4) Sides

- Especially designed for Maxi Shelves and Accessories (with brackets)
- Provides the most flexibility for configurations—four slots allow for 90° turns in four different directions
- Creates sharp, neat corners without need for filler panels
- Base diameter of 13" or 24" (330 mm)

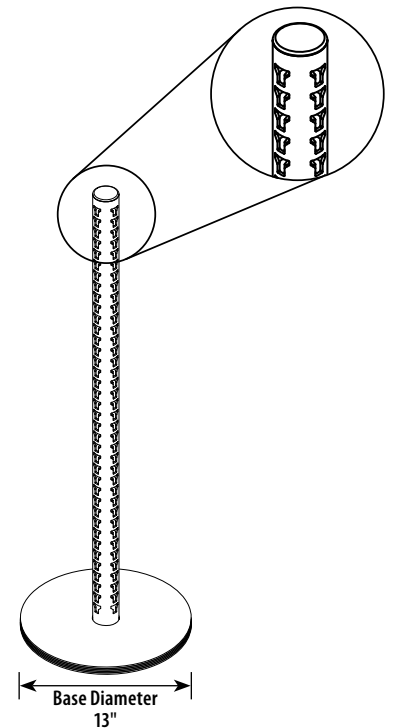
LUQP(NH)(BD)S4

- LUQP.....Luxe Queuing System Post
- NH.....Nominal Height 40", 48", 66", or 72"
(1016 mm, 1219 mm, 1676 mm, or 1829 mm)
- BD.....Base Diameter
Blank=13" (330 mm)
- S4.....S4=Slotted 4-Sided

NOTE!
Must use Slotted on Four Sides Queuing System Post.



Queuing Post Detail



Luxe Queuing Slatwall Back 45°

- Nominal width is 24" (610 mm)
- Nominal heights are 40" or 48" (1016 mm or 1219 mm)

LUQB45(BACK1)(BACK2)(OPT)(NW)(NH)

LUQB.....Luxe Queuing System Back
45.....45°

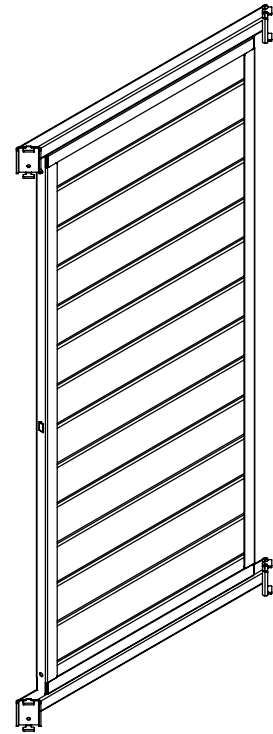
BACK1.....Interior Back
SWL=Slatwall Laminated
SWP=Slatwall Painted
SWM=Slatwall Melamine

BACK2.....Exterior Back
SWL=Slatwall Laminated
SWP=Slatwall Painted
SWM=Slatwall Melamine
Blank=Single-Sided

OPT.....SP=Single Panel
DP=Double Panel

NW.....Nominal Width 24" (640 mm)

NH.....Nominal Height 40" or 48"
(1016 mm or 1219 mm)



Luxe Queuing MegaWall™ Back 45°

- Nominal width is 24" (610 mm)
- Nominal heights are 40", 48", 54", or 60" (1016 mm, 1219 mm, 1372 mm, or 1524 mm)
- Single-sided MegaWall™ back that is 2" OC and slotted on two sides

LUQB45MW(NW)(NH)

LUQB.....Luxe Queuing System Back
45.....45°

MW.....MegaWall™

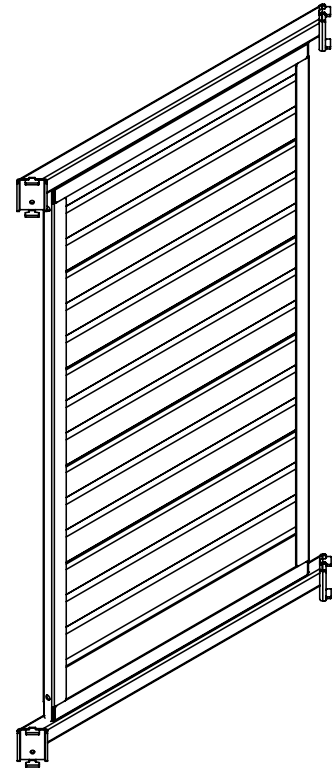
NW.....Nominal Width 24" (640 mm)

NH.....Nominal Height 40" or 48"
(1016 mm or 1219 mm)

Finish Code

FIN1.....Frame

FIN2.....MegaWall™



Luxe Queuing Hardboard Back 45°

- Nominal width is 24" (610 mm)
- Nominal heights are 40", 48", 54", or 60" (1016 mm, 1219 mm, 1372 mm, or 1524 mm)

LUQB45(BACK1)(BACK2)DP(NW)(NH)

LUQB.....Luxe Queuing System Back
45.....45°

BACK1.....Interior Back
H=Hardboard
HL=Hardboard Laminated
P=Pegboard
PL=Pegboard Laminated

BACK2.....Exterior Back
H=Hardboard
HL=Hardboard Laminated
P=Pegboard
PL=Pegboard Laminated

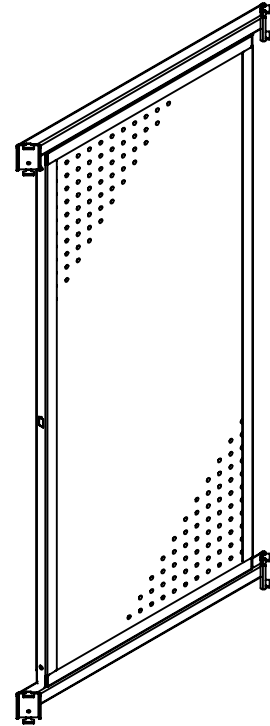
DP.....Double Panel

NW.....Nominal Width 24" (640 mm)

NH.....Nominal Height 40", 48", 54", or 60"
(1016 mm, 1219 mm, 1372 mm, or 1524 mm)

Finish Code

FIN1.....Metal
FIN2.....Interior Back
FIN3.....Exterior Back



Luxe Queuing Wire Grid Back 45°

- Nominal width is 24" (610 mm)
- Nominal heights are 40", 48", 54", or 60" (1016 mm, 1219 mm, 1372 mm, or 1524 mm)
- Double-sided back will have the same wire grid

LUQB45(TYPE)(OPT)(NW)(NH)

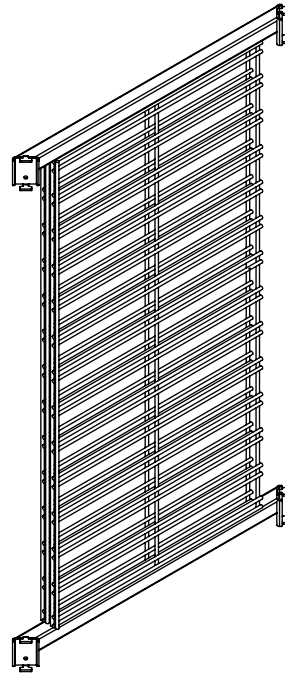
LUQB.....Luxe Queuing System Back
45.....45°

TYPE.....Wire Grid Type
SG=Slat Grid
MG=Mini Grid
MPG=Multi Purpose Grid
2X2=2" x 2" Grid
3X3=3" x 3" Grid
MSG=Modified Slat Grid
MHG=Modified Harmonic Grid

OPT.....SP=Single Sided
DP=Double Sided

NW.....Nominal Width 24" (640 mm)

NH.....Nominal Height 40" or 48"
(1016 mm or 1219 mm)

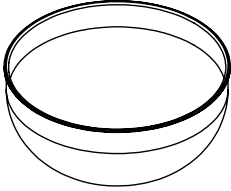


3 Pick Your Accessories

Pick from hundreds of accessories.

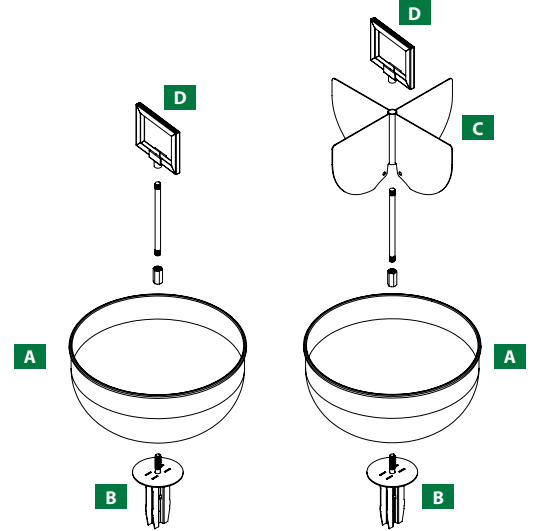
A Queuing System Bowl

- 12¼" diameter x 6" high (311 mm x 152 mm)



QSBOWL

QS..... Queuing System Bowl
BOWL..... Bowl

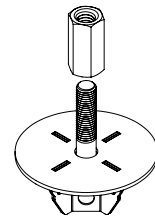


B Luxe Upright Queuing System Post Accessory Mount

- Required to be ordered when using Queuing System Bowl, Luxe Upright Queuing System, and Queuing Systems Sign Holder and Stem Post Accessory Mount

LUQPAM

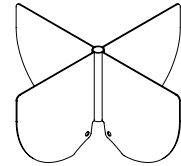
LUQPAM.....Luxe Upright Queuing System
Post Accessory Mount



C Tube Line T-Rack Queuing Acrylic Bowl, 4-Way Divider

TLTRQAB4WD

TLTRQ.....Tube Line T-Rack Queuing
AB4WD.....Acrylic Bowl 4-Way Divider

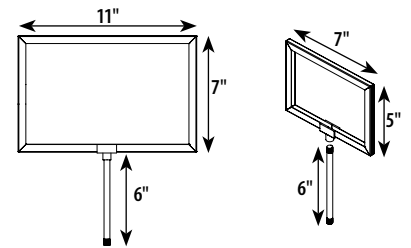


D Queuing Systems Sign Holder and Stem

- 5"H x 7"W (127 mm x 178 mm)
- 7"H x 11"W (178 mm x 279 mm)

QSSH(SIZE)

QSSH.....Queuing Systems Sign Holder and Stem
SIZE.....5X7 or 7x11

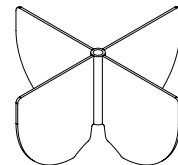


Queuing System, Acrylic Bowl, 4-Way Divider

- .125" thick acrylic

QSBA4WD

QSBA.....Queuing System, Bowl Acrylic
4WD.....4-Way Divider



All shelves and accessories should not exceed 10" (254 mm) deep

Standard Upper Shelf Flat, 15° or 30° Downslope

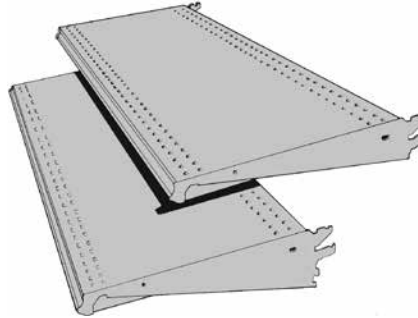
- 1¼" (32 mm) tag molding integrally formed into front edge of shelf surface
- Versatility of three positions: Flat, 15° downslope, 30° downslope
- Load capacity, flat position: 6" (152 mm) to 8" (203 mm) depths = 200 lbs
10" (254 mm) = 200 lbs
- Load capacities based on evenly distributed static loading
- SUS and STP shelves do not align when placed side by side

SUS-(NW)(ND)

- SUS.....Standard Upper Shelf
- NW.....Nominal Width 2' to 4' in 6" increments (610 mm to 1219 mm in 152 mm increments)
- ND.....Nominal Depth 6" to 10" in 2" increments (152 mm to 254 mm in 51 mm increments)

STP(NW)(ND)

- STP.....Straight-in Insertion Three Position
- NW.....Nominal Width 2' to 4' in 6" increments (610 mm to 1219 mm in 152 mm increments)
- ND.....Nominal Depth 6" to 10" in 2" increments (152 mm to 254 mm in 51 mm increments)



NOTE!

If add-on aluminum tag molding is desired, use selected type as suffix immediately after part number.

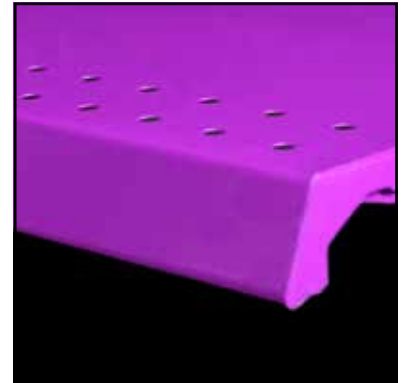
Example: SUS-410-M17S

Flush Front Upper Shelf

- Smooth, dust-free edge ideal for merchandising without tag molding
- Versatility of three positions: Flat, 15° downslope, 30° downslope
- Load capacity, flat position: 6" (152 mm) to 10" (254 mm) depths = 200 lbs
- Load capacities based on evenly distributed static loading

FFUS-(NW)(ND)

- FFUS.....Flush Front Upper Shelf
- NW.....Nominal Width 3' or 4' (914 mm or 1219 mm)
- ND.....Nominal Depth 8" to 10" in 2" increments (152 mm to 254 mm in 51 mm increments)

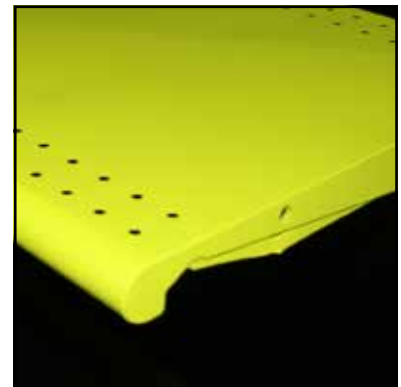
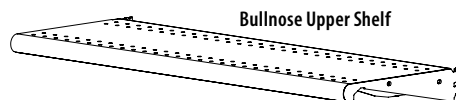


Bullnose Upper Shelf

- Same form, fit, and function of Standard Upper Shelf, allowing the use of front fence and dividers
- Fits 1" OC slotting
- Radius front measures 1¼" (32 mm) high
- Maximum load capacities of Upper Shelf: 8" (203 mm) = 200 lbs
10" (254 mm) = 200 lbs
- Capacity reduced by 30% when front half is loaded (see product safety pages on loading in General Information)
- Load capacities based on evenly distributed static loading
- For additional load capacities, see Base Load Levelers
- Available in a variety of finishes

SUSBN(NW)(ND)

- SUS.....Standard Upper Shelf
- BN.....Bullnose
- NW.....Nominal Width 24" to 48" in 6" increments (610 mm to 1219 mm in 152 mm increments)
- ND.....Nominal Depth 8" or 10" (203 mm or 254 mm)



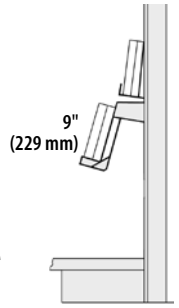
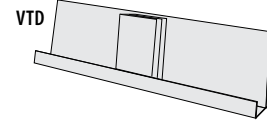
All shelves and accessories should not exceed 10" (254 mm) deep

Various Type Display

- VTD:
 - 7° upslope, 8"H (203 mm) back 2½"D (64 mm) shelf, ¾"H (19 mm) front lip

VTD(TYPE)(NL)(ND)

- VTD.....Various Type Display
- TYPE.....Blank=No Extension
- NL.....Nominal Length 24" to 48" in 6" increments (610 mm to 1219 mm in 152 mm increments)
- ND.....Nominal Depth 09"(for SXT only) (229 mm--for SXT only)

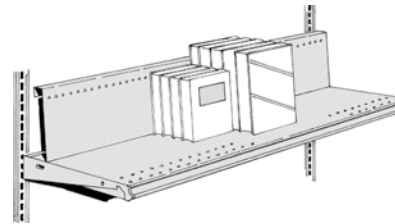


Uptilt Shelf

- 7° uptilt
- "Straight-in" insertion two tab brackets
- 8"H (203 mm) welded book back for rapid installation
- Accepts Wire Dividers (BKSD) and End Panels (BKSBEP) both sold separately

UTSBKSB(NW)(ND)-08-7

- UTS.....Uptilt Shelf
- BKSB.....Bookshelf Back
- NW.....Nominal Width 36" or 48" (914 mm or 1219 mm)
- ND.....Nominal Depth 8" to 16" in 2" increments (203 mm to 406 mm in 51 mm increments)
- 08.....Nominal Back Height 8" (203 mm)
- 7.....7° Uptilt

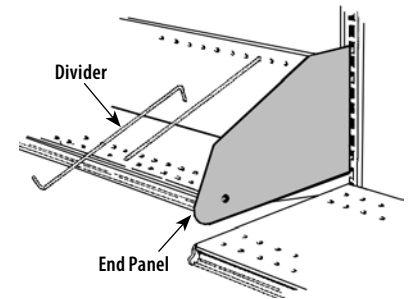


Bookshelf End Panel

NOTE!
Order Bookshelf End Panel 2" shorter than nominal depth of shelf.

BKSBEP-(ND)-6

- BKS.....Bookshelf
- BEP.....End Panel
- ND.....Nominal Depth 08" or 10" (203 mm to 254 mm)
- 6.....6 Pack



Bookshelf Wire Divider

NOTE!
Order Bookshelf Wire Divider 2" shorter than nominal depth of shelf.

BKSD-(ND)-25

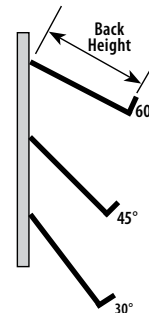
- BKS.....Bookshelf
- D.....Wire Divider
- ND.....Nominal Depth 06" to 10" in 2" increments (152 mm to 254mm in 51 mm increments)
- 25.....25 Pack

Uptilt Shelf

- Shelf back available in 10" (254 mm)
- 4" (102 mm) shelf depth only

UTSN(DEGREE)-(NW)-(NH)4

- UTSN.....Uptilt Shelf
- DEGREE.....30°, 45°, or 60° Tilt
- NW.....Nominal Width 3' or 4' (914 mm or 1219 mm)
- NH.....Nominal Back Height 10" (254 mm)
- 4.....Shelf Depth 4" (102 mm)



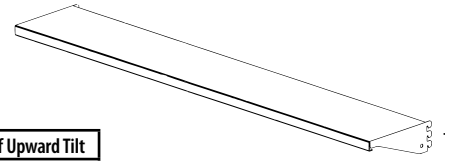
All shelves and accessories should not exceed 10" (254 mm) deep

Multi Media Bookshelf

- Available in widths of 24", 36", and 48", or in depths of 6" or 8"
- Load capacity 150 lb
- To ensure placement of products, there will be an upward slope on the shelves when fixture is assembled

AOBS-(NW)(ND)

AOBS.....Multi Media Display Bookshelf
 NW.....Nominal Width 24", 36", or 48"
 (610 mm, 914 mm, or 1219 mm)
 ND.....Nominal Depth
 06=6" (152 mm)
 08=8" (203 mm)
 10=10" (254 mm)



Height	Degree of Upward Tilt
54"	10.5°
60"	7.0°
66"	6.5°
72"	6.0°
78"	6.0°
84"	5.0°

NOTE!

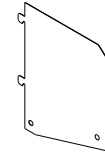
The angle of the shelves decreases with relation to fixture height. Please see chart to determine shelf angle for fixture height.

Multi Media Display Bookshelf Metal Divider Panel

- Fits on Multi Media Bookshelf
- Order same depth divider as shelf depth

AOBSMDP-(ND)

AOBS.....Multiple Media Display Bookshelf
 MDP.....Metal Divider Panel
 ND.....Nominal Depth
 06=6" (152 mm)
 08=8" (203 mm)
 10=10" (254 mm)

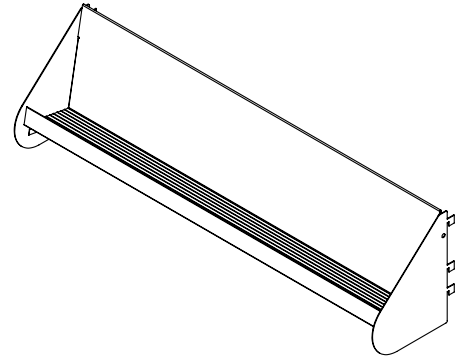


Single Tier Magazine Displayer

- 5" (127 mm) pocket
- Optional plastic runner available

DMT-(NW)-(ND)-(OPT)

DMT.....Single Tier Magazine Displayer
 NW.....Nominal Width 3' or 4'
 (914 mm or 1219 mm)
 ND.....Nominal Depth 5" or 7"
 (203 mm to 254 mm)
 OPT.....Blank=Runner
 NR=No plastic runner

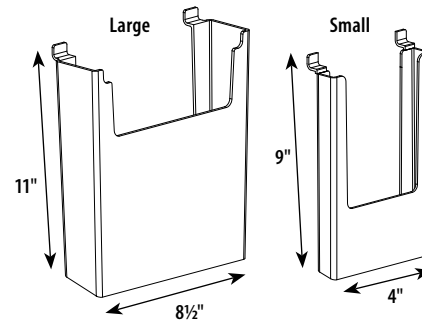


Magazine Holder Slatwall Mount

- Available in small, 4"W x 9"H (102 mm x 229 mm) or large 8½"W x 11" (216 mm x 279 mm)

MAGHLDRSWM(OPT)

MAG.....Magazine
 HLDR.....Holder
 SWM.....Slatwall Mount
 OPT.....S=Small
 L=Large



All shelves and accessories should not exceed 10" (254 mm) deep

Uptilt Shelf Wire Divider

- Designed to be used as divider on the UTSN Uptilt Shelf
- Variety of widths and depths available
- When ordering, please specify left, right or center

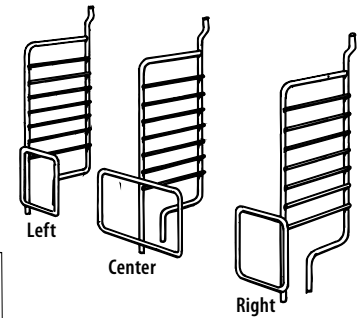
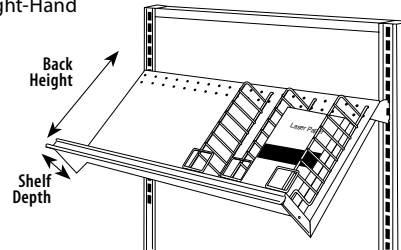
UTSWD-(NH)(ND)-(TYPE)

UTSWD.....Uptilt Shelf Wire Divider

NH.....Nominal Height 10" to 18" in 2" increments
(254 mm to 457 mm in 51 mm increments)

ND.....Nominal Depth 4", 6", or 8"
(102 mm, 152 mm, or 203 mm)

TYPE.....C=Center
LH=Left-Hand
RH=Right-Hand



Multi-Purpose Dividers

- Specifically designed to boost product visibility and accessibility
- Tension fit multi-purpose dividers attach without hardware and provide fast and easy reset of shelf
- 6"H x 10"D (152 mm x 254 mm) for 10" (152 mm) shelf depth

DV050610CM(POSITION)(OPT)

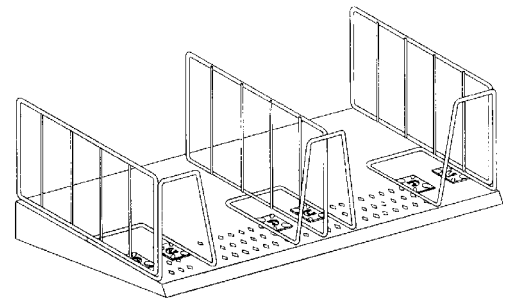
DV050610CM..... Multi-Purpose Dividers

POSITION L=Left
R=Right
C=Center

OPT Blank=Standard finish Chrome

Finish Code

PC059 Satin Black
PC811 Cream
PC812 Dove Gray
PC829 White



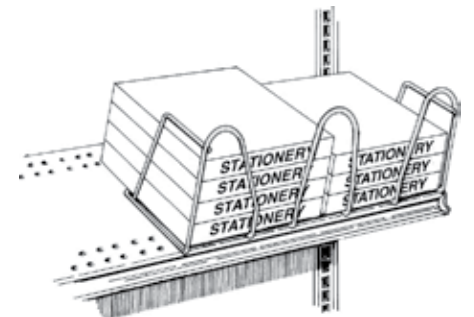
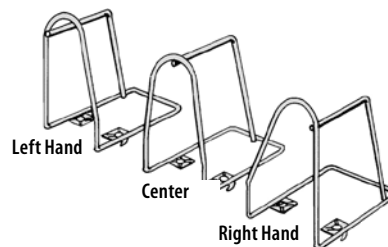
Multi-Purpose Wire Divider

- Solution for maintaining separation of products
- 3¾"W x 7¾"H x 6¾"D (95 mm x 197 mm x 171 mm)
- Dividers clip into front shelf perforations
- Minimum product width is 6" (152 mm)
- End dividers sold in pairs

WDMP-(OPT)

WDMP.....Multi-Purpose Wire Divider

OPT.....C=Center
E=Ends, Pairs Only



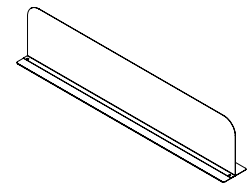
Metal Shelf Cross Divider

- Horizontal shelf divider
- Attaches to shelf with magnetic strip

MSCD(NW)

MSCD.....Metal Shelf Cross Divider

NW.....Nominal Width 24" to 48" in 6" increments
(610 mm to 1219 mm in 152 mm increments)



Metal Shelf Divider

- Attaches to shelf with magnetic strip
- 10" (254 mm) maximum depth shelf for Luxe Queuing

MSD-(ND)(NH)

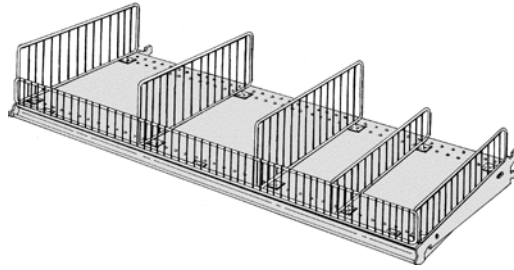
MSD.....Metal Shelf Divider

ND.....Nominal Depth 10" (254 mm)

NH.....Nominal Height 4", 8", 12", 24"
(102 mm, 203 mm, 305 mm, 610 mm)

Wire Binning

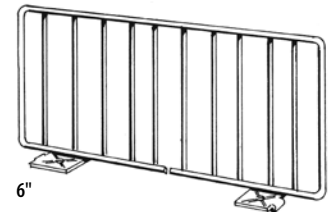
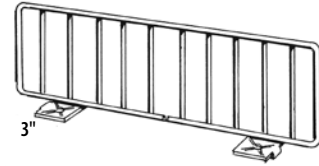
- Versatile design allows any size divider
- Attaches to shelf perforations with welded-on "feet"
- Use fronts with or without dividers
- Use dividers with or without fronts
- Vertical wires on 1" (25 mm) centers
- Chrome plated finish



Wire Binning Front

PMF-(NH)(NW)-1-(OPT)

- PMFFront
 NH.....Nominal Height 3" or 6"
 (76 mm or 152 mm)
 NW.....Nominal Width 36" or 48"
 (914 mm or 1219 mm)
 1Single
 OPTBlank=Chrome
 P=Painted



Wire Binning Divider

PMD-(NH)(ND)-1-(OPT)

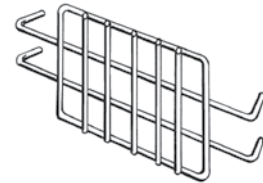
- PMDDivider
 NH.....Nominal Height 3" or 6"
 (76 mm or 152 mm)
 ND.....Nominal Depth 08" or 10"
 (203 mm or 254 mm)
 1Single Pack
 OPTBlank=Chrome
 P=Painted



Wire Binning Cross Divider

MC-(NH)(NW)-10-(OPT)

- MC.....Cross Divider
 NH.....Nominal Height 3" (76 mm)
 NW.....Nominal Width 6" to 12" in 2" increments
 (152 mm to 305 mm in 51 mm increments)
 10.....10 Pack
 OPTBlank=Chrome
 P=Painted



Shelf Retainer

- Sturdy metal angle provides retaining lip for merchandise
- Ideal for use when shelf is in 15° downslope position
- Mounting hardware included

SR-(NW)-(NH)-10

- SR.....Shelf Retainer
 NW.....Nominal Width 3' or 4'
 (914 mm or 1219 mm)
 NH.....Blank=1" (22 mm)
 2=2" (51 mm)
 3=3" (76 mm)
 4=4" (102 mm)
 10.....10 Pack



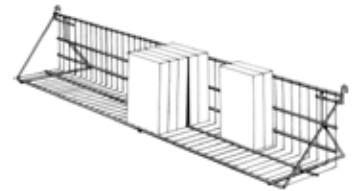
All shelves and accessories should not exceed 10" (254 mm) deep

Wire Video Shelf

- Lightweight but rigid, uniquely designed shelf uses hooks instead of brackets
- Back is 7"H x 5"D (178 mm x 127 mm)
- 15° upslope for product retention

MWVSG(NW)

MWVSG.....Maxi Wire Video Shelf for Gondola
 NW.....Nominal Width 24" to 48" in 6" increments
 (610 mm to 1219 mm in 152 mm increments)

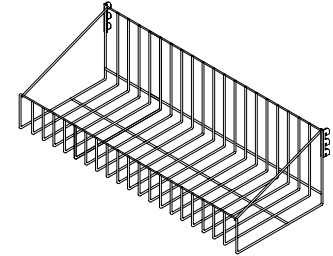
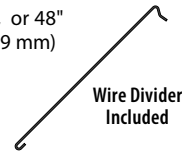


Book Basket

- 1½" (38 mm) OC wire spacing with 4" (102 mm) front lip, 8¾" (222 mm) rear lip and is 12" (305 mm) deep
- Snap in wire dividers included:
 - 36" (914 mm) = 5 dividers
 - 42" (1067 mm) = 6 dividers
 - 48" (1219 mm) WTPMR = 7 dividers

ABB-(NW)

ABB.....Book Basket
 NW.....Nominal Width 36", 42", or 48"
 (914 mm, 1067 mm, 1219 mm)

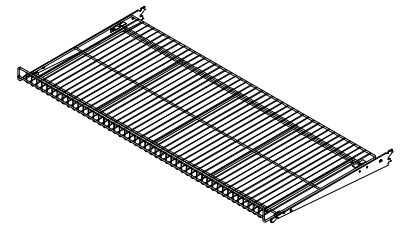


Bakery Wire Shelf with Welded Brackets

- Wire Basket Brackets welded to Bakery Wire Shelf

MBWSB-(NW)(ND)-(TAG)(EDGE)

MBWS.....Madix Bakery Wire Shelf
 WB.....Welded Brackets
 NW.....Nominal Width 3' or 4'
 (914 mm or 1219 mm)
 ND.....Nominal Depth 10" (254 mm)
 TAG.....Mold Tag Finish:
 BLANK=Painted Color of Shelf
 DGA2G=Gold Finish
 DGA2A=Silver Finish
 EDGE.....Edge Type
 Blank=Straight Edge Position
 L=Lip Edge



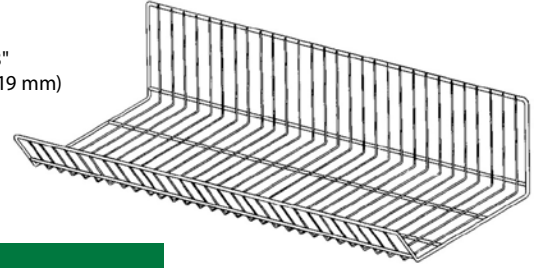
All shelves and accessories should not exceed 10" (254 mm) deep

Open End Baskets

- Designed to be flexible, OEBs can be configured two ways for strong, neat displays that clean easily, do not collect dust, and increase accessibility to merchandise
- Reversible mounting for maximum display flexibility
- Mounted from the back, baskets rest flat to create a neat wall of merchandise
- Mounted from the front, baskets hang at 30° downslant, creating a "gravity feed" configuration
- Recommended using minimum of three dividers for added support
- Load capacity 75 lbs for OEBs up to 16" W (406 mm)
- Standard finishes: Satin Black, Cream, Dove Gray, White, Powder Chrome

BS01(ND)(NW)

- BS01Open End Basket
- ND.....Nominal Depth 09" (229 mm)
[Actual 11" (279 mm)]
- NWNominal Width 24", 30", 36", or 48"
(610 mm, 762 mm, 914 mm, or 1219 mm)



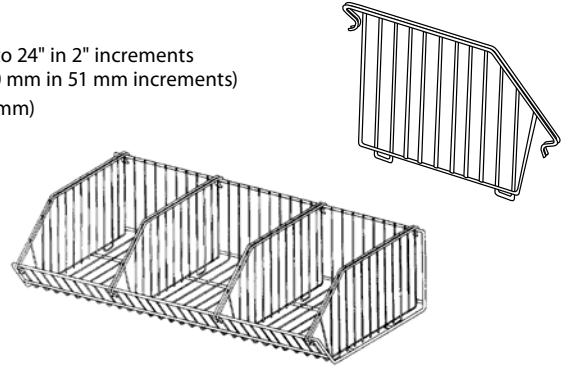
NOTE!
Overall depth is approximately 2" (51 mm) deeper than nominal depth.
Optional Roll-On Clips use finish code -C

Open End Basket Divider

- Enhance your OEBs with orderly compartments using 6-Way Locking OEB Dividers
- Locks securely into place
- Easily repositioned
- Create custom sized compartments by using dividers at any location along basket
- Increase basket strength and load capacity using at least three dividers per basket, one in center and one on each end
- Standard finishes: Satin Black, Cream, Dove Gray or White, Powder Chrome

DV02(ND)(NH)

- DV02OEB Divider
- ND.....Nominal Depth 09", 12" to 24" in 2" increments
(229 mm, 305 mm to 610 mm in 51 mm increments)
- NH.....Nominal Height 9" (229 mm)

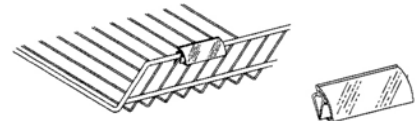


Plastic Tag Molding

- Made of clear plastic allowing easy viewing of merchandise pricing
- Snaps onto wire up to 1/4" (6 mm) in diameter (up to 3 gauge)
- 2 7/8"W x 1 1/4"H (73 mm x 32 mm)

ACPM122398

ACPM122398.....Plastic Tag Molding



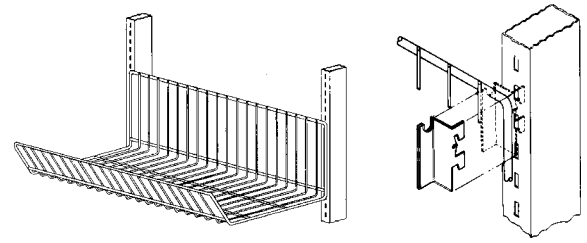
All shelves and accessories should not exceed 10" (254 mm) deep

Z Brackets

- Used as a suspension method from 1" (25 mm) universally slotted upright
- Used when OEBs are the same length or slightly shorter than the centerline distance between uprights
- Standard finish: Zinc Plated

AC123141(HAND)Z

AC123141Z Brackets
HandL=Left-Hand Option
R=Right-Hand Option
ZZ" Brackets



Slatwall Brackets

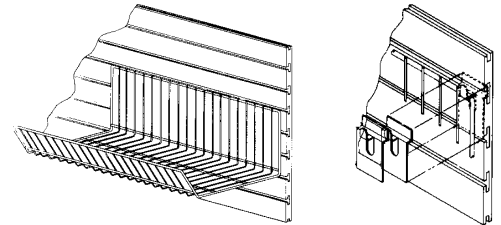
- Mount directly to slatwall or slatgrid
- Provides heavy-duty hook from which OEBs hang
- Use two or three per basket

AC999SWB(FIN1)

AC999SWB.....Slatwall Brackets

Finish Code

FIN1CR=Chrome Finish
PC059=Satin Black
PC811=Cream
PC812=Dove Gray
PC829=White



Grid Brackets

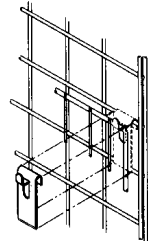
- Mount directly to grid
- Provides heavy-duty hook from which OEBs hang
- Use two or three per basket

AC999GBH(FIN1)

AC999GBH.....Grid Brackets

Finish Code

FIN1CR=Chrome Finish

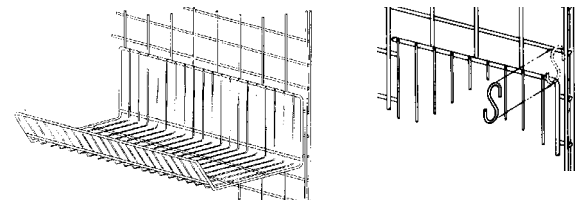


Wire S Hooks

- An inexpensive method to hang OEBs from grid
- Suited for medium duty applications
- Use two or three per basket
- Standard finish: Zinc Plated

ACPH123265

ACPH123265.....Wire S Hooks

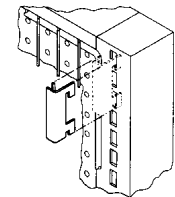


Loose OEB Brackets

- Secures perimeter frame wire to slotted upright
- Easily attach to front or back of OEB

AC1230(TYPE)(HAND)

AC1230.....Loose OEB Brackets
TYPE57=2" (51 mm)
44=2½" (64 mm)
43=1 Tab
HandL=Left
R=Right

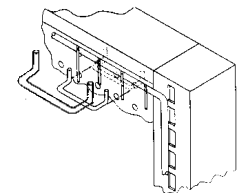


Pegboard Hooks

- Suspends OEBs from pegboard
- Suited for light to medium duty applications
- Two or three required per basket
- Standard finish: Zinc plated

ACPH123268

AC123268Pegboard Hooks

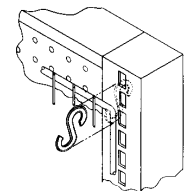


Flat S Hooks

- An inexpensive method to hang OEBs from slotted upright
- For medium or heavy-duty applications
- Standard finish: Zinc plated

AC125(OPT)Z

AC125.....Flat S Hooks
OPT237=Medium-Duty
143=Heavy-Duty
ZZinc finish



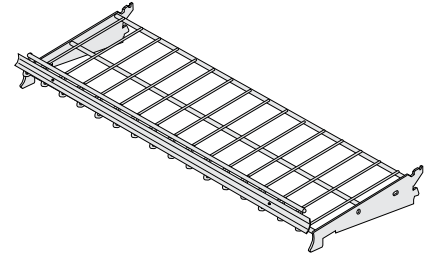
All shelves and accessories should not exceed 10" (254 mm) deep

Wire Candy Shelf

- Used for lightweight merchandising
- Two position brackets, flat or 15° down, and a 2" (51 mm) high front lip allows various product presentations
- Wires are spaced 1½" (38 mm) OC
- Optional tag molding accepts 1¼" (32 mm) tags
- Load capacity 30 lbs

WCANS(NW)(ND)-TAG

- WCANS.....Wire Candy Shelf
- NW.....Nominal Width 36" or 48"
(914 mm or 1219 mm)
- ND.....Nominal Depth 06" to 10" in 2" increments
(152 mm to 254 mm in 51 mm increments)
- TAG.....Tag Mold Option:
DGA2A=Aluminum
DGA2G=Gold
DGA2P=Painted

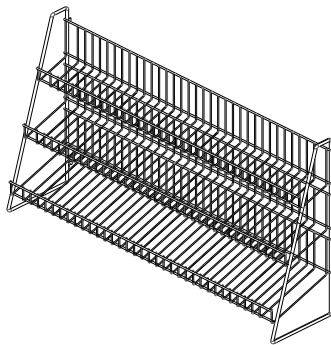


Wire Candy Rack

- Display small boxes of candy, cookies and other snack items
- May be used on either a Base Shelf or Upper Shelf
- 36" or 48"W x 24"H x 8"D
(914 mm or 1219 mm)
- 1" (25 MM) OC wire spacing

WCANR-(NW)

- WCANR.....Wire Candy Rack
- NW.....Nominal Width 36" or 48"
(914 mm or 1219 mm)

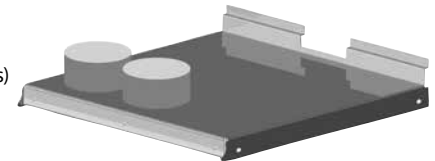


Slatwall Shelf

- Attaches to wooden or metal slatwall
- Can also span across vertical upright, allowing for maximum utilization of merchandising space
- Load capacity 60 lbs

SWSH-(NW)(ND)(OPT)

- SWSH.....Slatwall Shelf
- NW.....Nominal Width 18" to 48" in 6" increments
(457 mm to 1219 mm in 152 mm increments)
- ND.....Nominal Depth 12" to 18" in 2" increments
(305 mm to 457 mm in 51 mm increments)
- OPT.....Blank=with Tag
NT=No Tag



NOTE!

This shelf needs to be ordered 12" (305 mm) less than section width, when used with Luxe Queuing Solution.
Example: 48" (1219 mm) section, shelves need to be 36" (914 mm).

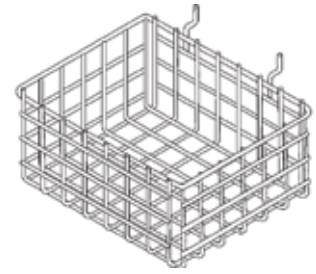
All shelves and accessories should not exceed 10" (254 mm) deep

Peg Basket

- Versatile basket for small impulse items
- Dimensions: 3¾"H x 6¾"D x 8¼"W (95 mm x 171 mm x 210 mm)
- Mounts to wood or metal slatwall
- Load capacity 2 lbs

PEGB

PEGB.....Peg Basket

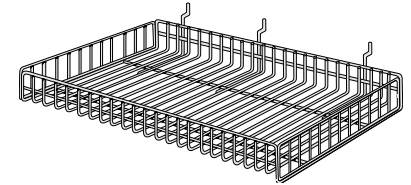


Classic Pegboard Basket

- Peg and Slatwall Wire Basket fits both standard pegboard or slatwall back panels
- Basket height is 3¾" (95 mm)
- Mounts to wood or metal slatwall
- Load capacity 50 lbs

CBPSW-(NW)(ND)

CBPSW.....Classic Basket for Pegboard and Slatwall
 NW.....Nominal Width 24" (610 mm)
 ND.....Nominal Depth 10" or 12"
 (254 mm or 35 mm)

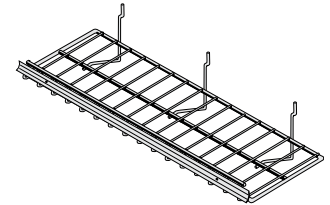


Wire Snack Shelf

- For lightweight merchandising of items
- Optional tag molding accepts 1¼" (32 mm) tags
- Available in 0° or 15° downtilt
- Load capacity 30 lbs

WCANSW(NL)(ND)-(OPT)

WCANS.....Wire Candy Snack Shelf
 SW.....Slatwall
 NL.....Nominal Length 24" to 48" in 6" increments
 (610 mm to 1219 mm in 152 mm increments)
 ND.....Nominal Depth 08" or 10"
 (203 mm or 254 mm)
 OPT.....Degree Option:
 Blank=0°
 15=15°



NOTE!

This shelf needs to be ordered 12" (305 mm) less than section width, when used with Luxe Queuing Solution two slot post.

Example: 48" (1219 mm) section, shelves need to be 36" (914 mm).

All shelves and accessories should not exceed 10" (254 mm) deep

Utility Baskets

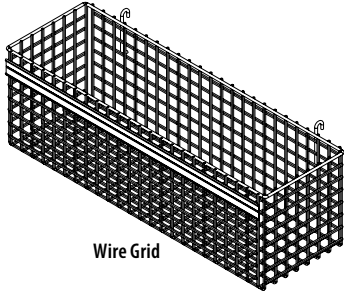
- Use with wire grid, pegboard, or shelves
- Basket's 1¼" (32 mm) tag molding affords space for pricing information
- 18¼"W x 3¾"H x 3½⅛"D (464 mm x 95 mm x 100 mm)
- Load capacity 25 lbs

WUB-(NW)(ND)(NH)-(TYPE)

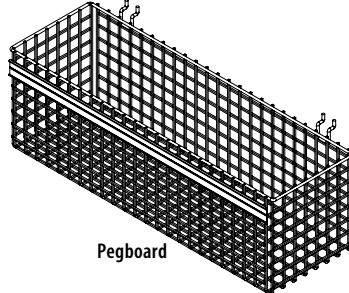
WUB.....Wire Utility Basket
 NW.....18" Width (457 mm)
 ND.....04" Depth (102 mm)
 NH.....04" Height (102 mm)
 TYPE.....Mount Type:
 WG=Wire Grid
 P=Pegboard
 S=Shelving



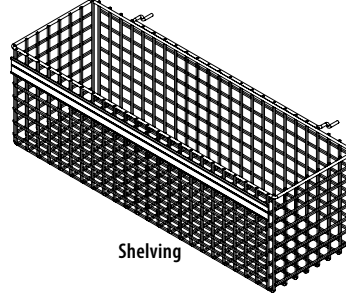
Pegboard shown



Wire Grid



Pegboard



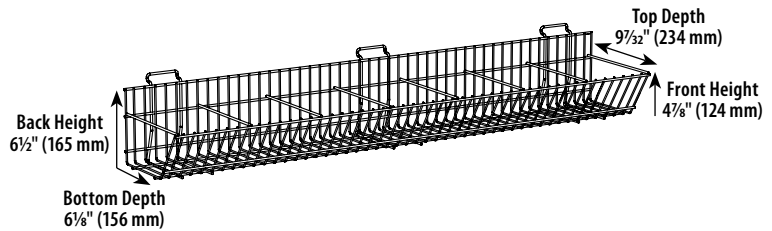
Shelving

Slatwall Mount Wire DVD Shelf

- For use in standard Maxi Line shelving sections that use Slatwall Back Panels
- Brackets are designed to give approximately 10° up tilt to shelf
- Load capacity 25 lbs

SMWDVDS-(NW)

SMWDVDS.....Slatwall Mount Wire DVD Shelf
 NW.....Nominal Width 24", 36", or 48"
 (610 mm, 914 mm, or 1219 mm)



NOTE!
Does not work in Slatgrid due to size of clip.

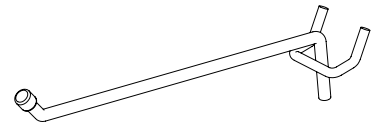
NOTE!
This shelf needs to be ordered 12" (305 mm) less than section width, when used with Luxe Queuing Solution two slot post.
Example: 48" (1219 mm) section, shelves need to be 36" (914 mm).

Peg Hook-Single Prong

- For ¼" (6 mm) perforations
- Four gauge
- .212 diameter wire
- Chrome Plated

PH(NL)-PACK

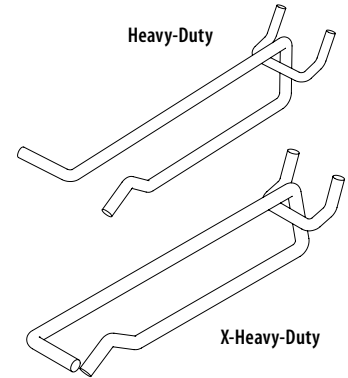
PH.....Peg Hook
 NL.....Nominal Length 4" to 12" in 2" increments
 (102 mm to 305 mm in 51 mm increments)
 PACK.....Pack Size:
 1=1
 12=12
 500=500
 1000=1,000

**Scanner Peg Hook**

- For ¼" (6 mm) perforations
- Heavy-duty, .186 diameter wire
- Extra Heavy-duty, .212 diameter wire
- Chrome Plated

SPH(TYPE)-(NL)-10

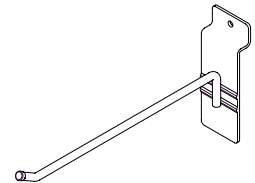
SPH.....Scanner Peg Hook
 TYPE.....HD=Heavy-Duty
 XHD=Extra Heavy-Duty
 NL.....Nominal Length 4" to 12" in 2" increments
 (102 mm to 305 mm in 51 mm increments)
 10.....10 Pack

**Slatwall Peg Hook**

- .224 diameter wire
- Chrome Plated

SWPH-(NL)-(PACK)

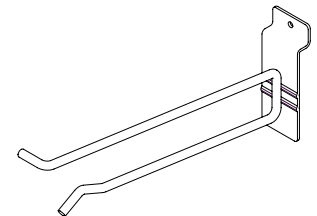
SWPH.....Slatwall Peg Hook
 NL.....Nominal Length 04" to 12" in 2" increments
 (102 mm to 305 mm in 51 mm increments)
 PACK.....Pack Size:
 Blank=1
 10=10

**Slatwall Scanner Hook**

- .212 diameter wire
- Chrome Plated

SWLHSH-(NL)-(PACK)

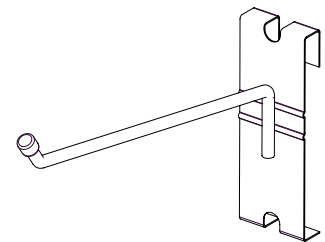
SWLHSH.....Slatwall Scanner Hook
 NL.....Nominal Length 04" to 12" in 2" increments
 (102 mm to 305 mm in 51 mm increments)
 PACK.....Pack Size:
 1=1
 10=10

**Wire Grid Peg Hook**

- .224 diameter wire
- Chrome Plated

WGPH-(NL)-(PACK)

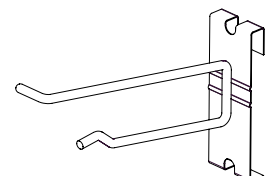
WGPH.....Wire Grid Peg Hook
 NL.....Nominal Length 4" to 12" in 2" increments
 (102 mm to 305 mm in 51 mm increments)
 PACK.....Pack Size:
 10=10

**Wire Grid Scanner Hook**

- .212 diameter wire
- Chrome Plated

RGS-(NL)-(PACK)

RGS.....Wire Grid Scanner Hook
 NL.....Nominal Length 4" to 12" in 2" increments
 (102 mm to 305 mm in 51 mm increments)
 PACK.....Pack Size:
 50=50
 100=100

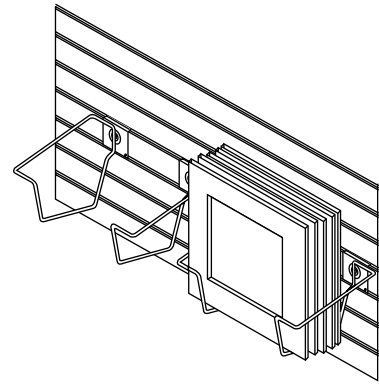
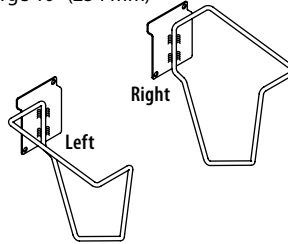


Slatwall Frame Display

- Fits into wooden or metal slatwall
- Ships as a pair, left and right-hand
- Can be adjusted to match width of product
- Load Capacity 40 lbs per pair

FAB(SIZE)

FAB.....Framed Art Bracket
 SIZE.....S=Small 7" (178 mm)
 L=Large 10" (254 mm)

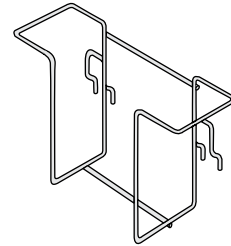


Wire Grid Brochure Holder

- Holder measures 3½" deep (89 mm)
- Available in 4", 6", and 8½" widths (102 mm, 152 mm, and 216 mm)

WBH-(NL)-WG

WBH.....Wire Brochure Holder
 NL.....Nominal Length
 04=4" (102 mm)
 06=6" (152 mm)
 85=8½" (216 mm)
 WG.....Wire Grid

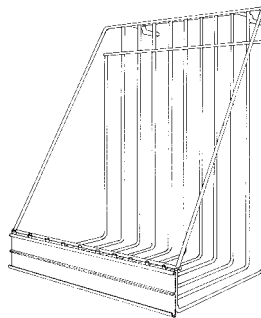


Shelf Extender Basket Displayer

- Mounts to perforations of Standard Upper Shelves, allowing additional merchandising space
- 10"W x 10"H x 3"D (254 mm x 254 mm x 76 mm)
- Front lip accommodates 1"H (25 mm) integral tag molding and accepts pricing or signage

SEBD

SEBD.....Shelf Extender Basket Displayer

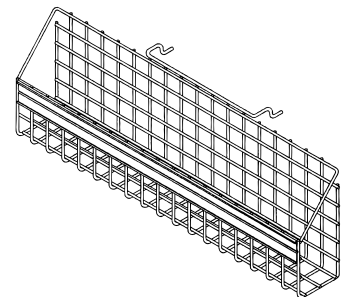


Shelf Extender Basket

- Movable basket hooks in front row of perforations in Standard Upper Shelves
- Ideal for literature or other lightweight items
- 18"W x 2½"D (457 mm x 64 mm), 3¼" (83 mm) front height, 6" (152 mm) back height
- Tag molding accepts 1¼" (32 mm) tags

SEB

SEB.....Shelf Extender Basket



Terms and Conditions

Prices

All prices are subject to change without notice. Every effort will be made to give advance notice of any increase through notification from the home office. The customer will receive an acknowledgement showing prevailing prices at the time the order is processed. State or other sales or use taxes, freight and surcharges will be charged when applicable. Freight quotes may be provided based upon information available at time of quote, but are not guaranteed. Active freight charges will be billed if applicable. When market conditions dictate, a surcharge may be implemented. All quotations automatically expire at the end of 30 days.

Terms

Cash in advance prior to production or net 30 days if open account status is approved by Madix Credit Department. MasterCard, Visa, and American Express are accepted.

Acceptance

All orders, contracts, and agreements are subject to Madix's acceptance and approval. Madix shall not be liable for any delay in the performance of any order, contract, in the delivery of any goods, or for any damages resulting from such delay, when such delay is directly or indirectly caused by or due to fire, flood, accident, riot, act of God, war, governmental decree or order, strike, labor difficulties, shortage of labor, fuel, power, material or supplies, transportation delay or any other delay or causes (whether or not similar to any of those herein before specified) beyond our reasonable control. Order acceptance will be per the conditions and terms outlined in Madix's acknowledgement. Mailing of the acknowledgement will signify Madix's acceptance of the order.

Minimum Charge

All orders less than \$50.00 net (merchandise only) will be invoiced at \$50.00.

Charges and Cancellations

Customer requested changes and cancellations are subject to approval by Madix. Every reasonable effort will be made to accommodate these requests without additional cost to the customer. Any manufacturing or engineering costs incurred will be charged to the customer. Orders produced and delayed for more than one week may incur charges for demurrage, unloading, or other storage costs. Madix will advise customers of the estimated charges at the time changes or cancellations are made

Shipments

Method and route of shipment are at Madix's discretion unless Madix is furnished with complete shipping instructions at least ten (10) days before the scheduled shipping date. Freight is FOB/EXW Madix shipping point.

Freight Claims

For common carrier shipments, claims must be made directly with the carrier by the recipient. Listed are the types of losses which may occur, and your responsibility in handling them:

Loss of Freight: It is the receiver's responsibility to count the freight at the time of delivery. Any exception must be noted on the carrier's delivery receipt at time of delivery.

Damage of Freight: As with a loss of freight, damage of freight must be noted on the carrier's delivery receipt at the time of delivery. It is the receiver's responsibility to make sure that the freight is inspected for visible damage and that the number of pieces damaged is marked on the carrier's delivery receipt. Failure to note visible damage at the time of delivery will result in non-payment of a damage freight claim. Salvage must be held for the carrier.

Concealed Damage: If goods are received in apparently good condition but there is concealed damage, it is the customer's responsibility to contact your Madix Service Representative within 15 calendar days from delivery. Customer must keep the product and the packaging so that an inspection may be conducted by the carrier. Failure to handle a concealed damage claim in this manner could greatly reduce the amount recovered from the carrier.

Returned Goods

Returned Goods requests must be submitted to Madix, Inc. within 60 days after receipt of product. Authorization must be in writing on Madix's RGA (Return Goods Authorization) form. Goods must be received within 30 days of RGA issue date for credit. Only Code A products finished in returnable colors as indicated on the finish policy pages will be considered for return, and only items in unused, in resalable condition, and in the original packaging. No special size, color, or specially manufactured parts or products are eligible for return unless sent to the customer as the result of an error by Madix. Only merchandise listed on the RGA will be accepted for conditional return. Credit will not be issued for that portion of merchandise that is not considered resalable. A handling and restocking charge of 25% of the invoice price will be charged for all approved returns. Submit requests to your Madix Sales Representative or Customer Service Department prior to returning any merchandise. All returns must be have the customer name and Madix RGA number prominently displayed on each package. Product to be shipped prepaid at customer's expense unless prior approval has been received from an authorized Madix Representative.

Warranty

We warrant to the original purchaser that all products manufactured by Madix are free from defects in material and workmanship. This warranty is invalid if products or parts are modified or used in a manner other than the intended purpose. Our obligation under this warranty is limited to repairing or replacing of any part or parts which shall, within one (1) year after delivery to the original purchaser, be demonstrated to be defective under normal use and service. This warranty is in lieu of all other warranties, expressed or implied, and of all other obligations or liabilities of any kind on Madix's part, and no modification of this warranty shall be valid or binding unless in writing and signed by an officer of Madix, Inc.

**POSSESSION OF THIS CATALOG IS NOT AUTHORIZATION TO SELL MADIX PRODUCTS!
ALL FACTORY QUOTES ARE GOOD FOR 30 DAYS ONLY.**

Shelving Safety

Codes

In your planning stage, consult with local municipal engineers to determine what codes and restrictions will be applicable in the locations where the shelving will be used. Codes may include: state, local, fire, building, and health and safety codes. Seismic requirements may apply in some locations. For example, in most locations fire codes state that fixtures need to be at least 18 inches below the sprinklers.

Shelving Selection

Take into consideration the load that is expected not only on each shelf but also on the unit as a whole. Take into account the upright capacity. Refer to the load capacity information that is in the Madix Standard Catalog. Madix shelves are rated using an evenly distributed load. Do not install shelves or accessories that extend beyond the depth of the Base Shelves. Consider making the Base Shelves and low height fixtures a contrasting color from the floor's color to prevent potential tripping hazards. Do not use Madix parts or accessories for any purpose other than originally intended by Madix.

Shelving Installation

Initial installation or relocation of Madix shelving should be supervised by qualified personnel. Madix products should be installed according to Madix's specifications. Madix's installation sequence must be followed for assembly and leveling. An improperly installed store fixture has a poor appearance and may cause a dangerous condition. Be especially careful when leveling fixtures with offset loads in which one side of the fixture has a considerably heavier load than the other side. Dismantling and reassembling used Madix shelving can be dangerous if the installers who are doing the work leave out parts, use damaged parts, or do not reassemble the product by Madix's specifications. Do not alter, modify, or structurally change any shelving component. Do not move assembled shelving. Only parts and accessories that are produced and supplied by Madix are covered by the Madix warranty. Do not assemble Madix fixtures with parts from other manufacturers. Under no circumstances should you use damaged parts. When assembling Gondola/Wall Shelving, install Kickplates to protect the Base Shoes from floor cleaning equipment and to offset the possible bumping and misalignment of the shelving runs. Do not install shelves or accessories on the sides of wall sections or any section that is not supported by Base Shoes. Use caution when handling and transporting shelving parts. Be careful when cutting shrink wrap from pallets because the shelving parts can dislodge from the wrap and fall. Cut the wrap gradually from the top, only as much as you need to remove the product from the top. Two common hazards while installing store fixtures are: employees hurting themselves with improper types of box cutters and employees putting boxes on the floor and then tripping over them.

Anchoring and Floors

Depending on code requirements and Madix's specifications, some products must be anchored to the walls and/or floors. Do not lean tall or heavy objects against unanchored shelving systems. Retailers must consider the type of floor upon which the shelving will be installed.

Impact Loading

Impact during the loading and unloading of merchandise can create an adverse loading situation and may result in damage to or failure of the Madix shelving. Do not walk or climb on Madix shelving.

Overturning

Overloading the top portion of the shelving, non-uniform loading, out-of-plumb installation, and impact can cause shelving to overturn. Improperly installed Madix shelving with offset loads can cause store fixtures to collapse. Carefully follow Madix's installation instructions in order to prevent shelving from overturning.

Additional Shelving Safety Pointers

Product loading instructions are included with each Madix order. Retailers must make merchandisers aware of the product's load limitations and the dangers of overloading the shelving. Remove any merchandise or overstock before attempting to move Madix shelving. Periodically inspect your Madix shelving for damaged or loose parts. Make sure that shelves and accessories are properly seated in the slotting or perforations. Make sure that shelves and accessories are not overloaded. As merchandising changes, beware of creating offset loads on shelving runs that are not properly leveled. Look for leveling warning signs such as increased gaps between shelves or accessories that may indicate that the shelving runs need re-leveling. Damage to Madix shelving is dangerous. In some cases, the shelving should be unloaded immediately and repaired or replaced before returning to service. Re-level fixtures that you have bumped or moved. Incorporate safety into your merchandising strategy. When possible, merchandise the heavier products on the lower shelves. If the merchandise will not fit on the Madix shelves and there is a replenishment cycle, make sure that the cycle is a safe one. Make sure that merchandise and overstock are properly stacked and maintained so that items will not fall into the aisles. Assure that customers who handle merchandise or overstock will not push product from one side of the Madix fixture to the other side where people could be injured from falling merchandise. Safely secure overstock that is placed on Madix shelves overhead. Measure the difficulty that your employees have in retrieving overstock, and consider whether employees or customers could be injured if the product happens to fall from the shelving units. Teach employees and inform customers that Madix shelves should never be used as ladders to reach higher shelves. Ladders should be clearly marked for employees use only and should not be left unattended, or customers will try to remove stock on higher shelves by themselves. Notify customers to ask for assistance when they need product that is out of their reach.

Finish Policy for Metal Products

Standard Colors, Returnable– Code A

Madix standard returnable colors for display shelving are Sahara, Blue Gray, Oyster, Snow White, and Satin Black. Madix standard returnable colors for wire products only are Powder Chrome and Silver Vein. All catalog items are priced in standard color.

No Charge Colors (Non-Returnable)– Code B

Madix non-returnable colors offered at the standard price are Chocolate, Dove Gray, Dover White, Fashion Gray, Skyline Gray and Tru Gray. All catalog items are priced in standard color.

Optional Colors-Level I Finishes (Non-Returnable)– Code B

Madix offers optional colors, also known as Grade I Finishes, at additional charge: Bright Orange, Hollyberry, Hunter Green, Mandarin, Neon Blue, Spectrum Blue, Spectrum Green, Spectrum Red and Valencia. Products painted with these colors are non-returnable.

Metal Components: \$350.00 line charge plus published per-piece charge.

Metal Back panels: \$350.00 line charge plus published per-piece charge.

Special Colors– Code C

Use line change charge plus per piece charge supplied by customer service. Special colors are non-returnable.

Pricing For Levels II To IV:

Level II: 1.6 x Optional Color Upcharge. Example: Optional upcharge for SUS is \$1.50; upcharge with Level II finish will be \$2.40.

Level III: 2.8 x Optional Color Upcharge. Example: Optional upcharge for SUS is \$1.50; upcharge with Level III finish will be \$4.20.

Level IV: 3.8 x Optional Color Upcharge. Example: Optional upcharge for SUS is \$1.50; upcharge with Level IV finish will be \$5.70.

Metal Components: \$500.00 line charge plus published per-piece charge.

Back panels: \$350.00 line charge plus published per-piece charge.

Maintenance for Metal Products

Baked Enamel and Powder Coated Finishes

All metal parts are finished with a specially formulated high solids or powder which are electrostatically bonded in a unique multi-stage process to insure the highest quality finish. Aerosol cans of touch-up paint are available in Madix's standard and optional colors. FAA regulations prohibit the shipment of this product by air or in export containers by air or ocean to countries outside the United States.

Product Maintenance

When cleaning Madix shelving, use a non-abrasive mild detergent and warm water, followed by thorough drying. Using a soft white cotton cloth is strongly recommended. Cleaning products containing abrasives, bleach, or strong solvents will result in damage to the finish, especially when used on colors containing leafing aluminum pigment, such as powder chrome or vein-type finishes.

Finish Policy for Wood Products

High Pressure Laminate

The terms "laminated" or "HPL" are commonly applied to this material which consists of multiple layers of paper infused with phenolic resin and topped by a finish paper coated with clear melamine resin, all totally bonded under high pressure and heat. The finished sheet has extremely high wear and impact resistance.

Customer Specified High Pressure Laminate

Madix coding is based on Wilsonart availability. Laminates other than Wilsonart may require additional lead time.

- Customer specified laminates add \$100.00 per pattern, per order
- Additional charge will apply based on the laminate grade that is chosen

Laminates that are not from a laminate manufacturer's standard samples (metallics, heavy textures, wet looks, core edge, special prints) will require a special quote. Contact Customer Service for specific pricing on laminates not listed above.

Thermofused Panels

Thermofused panels are ideal for non-wear surfaces and have substantial impact and wear characteristics compared to melamine panels previously available. The product is produced using hot press laminating polyester or melamine resin impregnated self-bonding paper to wood substrate. Performance specifications are available from the American Laminations Association. Madix does not recommend use of Thermofused panels on horizontal or other wear surfaces.

Printed Mirror Hardboard

Printed materials are primarily used for back panels, but appear as various other products. These materials are carefully cross matched to the corresponding laminates and Thermofused. Mylar mirror hardboard is used in the same applications and is also available in pegboard and grooved pegboard.

NOTE!

See Finishes Brochure for color samples.

Finish Policy for Back Panels

Standard Colors, Returnable– Code A

Madix standard returnable colors for display shelving back panels are Sahara, Oyster, and Snow White.

Optional Colors-Level I Finishes (Non-Returnable)– Code B

Madix non-returnable back panel colors offered at the optional price are Chocolate, Dove Gray, Dover White, Fashion Gray, Satin Black, Skyline Gray, Blue Gray and Tru Gray. Set-up charge of \$350.00 applies.

Optional Colors-Level II Finishes (Non-Brilliant)– Code B

Madix offers optional back panel colors also known as non-brilliant finishes at an additional charge. These colors include custom grays, off whites, tans, and beiges not listed in Madix's Finishes brochure. Products painted with these colors are non-returnable. Set-up charge of \$350.00 applies.

Optional Colors-Level III Finishes (Brilliant)– Code C

Brilliant back panel finishes include Hunter Green, Neon Blue, Spectrum Blue, and Spectrum Green. Set-up charge of \$350.00 applies.

Optional Colors-Level IV Finishes (Reds and Yellows)– Code C

Use line change charge plus per piece charge supplied by customer service. Special colors are non-returnable. Set-up charge of \$350.00 applies.

Pricing For Levels II To IV

Level II

1.2 x the difference between the Hardboard/Pegboard Optional Color pricing and the Hardboard/Pegboard Sahara pricing.

Example: Optional upcharge for a BH-342 with a Level II finish would be calculated as follows:

$\$13.85 - \$12.45 = \$1.40 \times 1.2 = \1.68 . The color upcharge for a BH-342 with a Level II finish is \$1.68. This upcharge amount will be added to the Optional Color price of a BH-342. The new price of a BH-342 using a Level II finish is \$15.53 ($\$13.85 + \$1.68 = \15.53).

Level III

1.4 x the difference between the Hardboard/Pegboard Optional Color pricing and the Hardboard/Pegboard Sahara pricing.

Example: Optional upcharge for a BH-342 with a Level III finish would be calculated as follows:

$\$13.85 - \$12.45 = \$1.40 \times 1.4 = \1.96 . The new color upcharge for a BH-342 with a Level III finish is \$1.96. This upcharge amount will be added to the Optional Color price of a BH-342. The new price of a BH-342 using a Level III finish is \$15.81 ($\$13.85 + \$1.96 = \15.81).

Level IV

1.8 x the difference between the Hardboard/Pegboard Optional Color pricing and the Hardboard/Pegboard Sahara pricing.

Example: Optional upcharge for a BH-342 with a Level IV finish would be calculated as follows:

$\$13.85 - \$12.45 = \$1.40 \times 1.8 = \2.52 . The color upcharge for a BH-342 with a Level IV finish is \$2.52. This upcharge amount will be added to the Optional Color price of a BH-342. The new price of a BH-342 using a Level IV finish is \$16.37 ($\$13.85 + \$2.52 = \16.37).

NOTE!

See Finishes Brochure for color samples.

Part Name	Part Number	Page Number
B		
Bakery Wire Shelf with Welded Brackets.....	MBWSWB-(NW)(ND)-(TAG)(EDGE).....	27
Book Basket.....	ABB-(NW).....	27
Bookshelf End Panel.....	BKSBEF-(ND)-6.....	23
Bookshelf Wire Divider.....	BKSD-(ND)-25.....	23
Bullnose Upper and Base Shelf.....	SUSBN(NW)(ND).....	22
Bullnose Upper Shelf.....	SUSBN(NW)(ND)(NP).....	7
C		
Classic Pegboard Basket.....	CBPSW-(NW)(ND).....	31
F		
Flat S Hooks.....	AC125(OPT)Z.....	29
Flush Front Upper Shelf.....	FFUS-(NW)(ND).....	7, 22
G		
Gondola Header Sign, Basic Upright Mounted.....	GHSBABUM(NW)(NH).....	10
Grid Brackets.....	AC999GBH(FIN1).....	29
H		
Hang Rod.....	HR-(NW).....	9
Hang Rod Bracket.....	HRB-(NW).....	9
L		
Loose OEB Brackets.....	AC1230(TYPE)(HAND).....	29
Lumishelf™ Radius LED Shelf Assembly.....	LSSRA(NW)(ND)-(OPT).....	9
Luxe 45° Corner Shelf.....	LUQSUS45-10.....	18
Luxe Back Panels.....	LUXB(TYPE)(NH)(NW).....	6
Luxe Backing Locking Insert.....	LUXBLI-BLK.....	15
Luxe End Frame Panel.....	LUXEFP(TYPE)(NH)(NW).....	6
Luxe L-Uprights with Leg on One Side.....	LUXL-(NH)(ND).....	5
Luxe Queuing Fixture Post Connector Rail.....	LUQFPCR(NW)(OPT).....	15
Luxe Queuing Hardboard Back 45°.....	LUQB45(BACK1)(BACK2)DP(NW)(NH).....	20
Luxe Queuing Hardboard Backs on Two (2) Sides.....	LUQB(OPT)DP(NW)(NH).....	13
Luxe Queuing MegaWall™ Back 45°.....	LUQB45MW(NW)(NH).....	19
Luxe Queuing MegaWall™ Backs on Two (2) Sides.....	LUQBMWDP(NW)(NH).....	14
Luxe Queuing Pegboard Backs on Two (2) Sides.....	LUQB(OPT)DP(NW)(NH).....	13
Luxe Queuing Post Slotted on Four (4) Sides.....	LUQP(NH)(BD)S4.....	18
Luxe Queuing Post Slotted on Four Sides.....	LUQP(NH)S4.....	12
Luxe Queuing Post Slotted on Two Sides.....	LUQP(NH)S2.....	12
Luxe Queuing Retractable Retainer.....	LUQRR.....	15
Luxe Queuing Slatwall Back 45°.....	LUQB45(BACK1)(BACK2)(OPT)(NW)(NH).....	19
Luxe Queuing Slatwall Backs on One (1) Side.....	LUQB(B1)SP(NW)(NH).....	14
Luxe Queuing Slatwall Backs on Two (2) Sides.....	LUQB(B1)(B2)DP(NW)(NH).....	14
Luxe Queuing Solution.....	11
Luxe Queuing Wire Grid Back 45°.....	LUQB45(TYPE)(OPT)(NW)(NH).....	20
Luxe Queuing Wire Grid Backs with One Panel Per Section.....	LUQB(TYPE)SP(NW)(NH).....	14
Luxe Queuing Wire Grid Backs with Two Panels Per Section.....	LUQB(TYPE)DP(NW)(NH).....	15
Luxe T-Uprights with Leg on Both Sides.....	LUXT-(NH)(NDL)(NDR)(OPT).....	5
Luxe Tie Bar.....	LUXTB-(NW).....	6
Luxe Upright Queuing System Post Accessory Mount.....	LUQPAM.....	21
Luxe Wall Outrigger Bracket Only.....	LUXWOTB(NH).....	5
Luxe Wall Outrigger Upright & Bracket.....	LUXWO-(NH)(ND).....	5
Luxe Wall Outrigger Upright Only.....	LUXP(NH)(OPT).....	5
M		
Magazine Holder Slatwall Mount.....	MAGHLDRSWM(OPT).....	24
Metal Shelf Cross Divider.....	MSCD(NW).....	25
Metal Shelf Divider.....	MSD-(ND)(NH).....	25
Multi Media Bookshelf.....	AOBS-(NW)(ND).....	24
Multi Media Displayer Bookshelf Metal Divider Panel.....	AOBSMDP-(ND).....	24
Multi-Purpose Dividers.....	DV050610CM(POSITION)(OPT).....	25
Multi-Purpose Wire Divider.....	WDMP-(OPT).....	25

Part Name	Part Number	Page Number
O		
Open End Basket Divider.....	DV02(ND)(NH).....	28
Open End Baskets.....	BS01(ND)(NW).....	28
P		
Peg Basket.....	PEGB.....	31
Peg Hook-Single Prong.....	PH(NL)-PACK.....	33
Pegboard Hooks.....	ACPH123268.....	29
Plastic Tag Molding.....	ACPM122398.....	28
Q		
Queuing System Bowl.....	QSBOWL.....	21
Queuing System, Acrylic Bowl, 4-Way Divider.....	QSBA4WD.....	21
Queuing Systems Sign Holder and Stem.....	QSSH(SIZE).....	21
S		
Scanner Peg Hook.....	SPH(TYPE)-(NL)-10.....	33
Shelf Extender Basket.....	SEB.....	34
Shelf Extender Basket Displayer.....	SEBD.....	34
Shelf Retainer.....	SR-(NW)-(NH)-10.....	26
Single Tier Magazine Displayer.....	DMT-(NW)-(ND)-(OPT).....	24
Slatwall Brackets.....	AC999SWB(FIN1).....	29
Slatwall Frame Display.....	FAB(SIZE).....	34
Slatwall Mount Wire DVD Shelf.....	SMWDVDS-(NW).....	32
Slatwall Peg Hook.....	SWPH-(NL)-(PACK).....	33
Slatwall Scanner Hook.....	SWLHSH-(NL)-(PACK).....	33
Slatwall Shelf.....	SWSH-(NW)(ND)(OPT1)(OPT2).....	30
Standard Upper Shelf.....	SUS-(NW)10.....	18
Standard Upper Shelf Flat, 15° or 30° Downslope.....	SUS-(NW)(ND).....	22
Standard Upper Shelf with Radius Front.....	SUSRF(TYPE)-(NW)(ND).....	8
Standard Upper with Multi Radius Concave Front.....	SUSMRF(NW)(ND)-(ID).....	8
T		
Thin Profile Shelf, Light-Duty.....	PLSTTSLD(NW)(ND).....	8
Tube Line Shelf with Wood Top.....	TLTRASWT(NW)(ND).....	7
Tube Line T-Rack Queuing Acrylic Bowl, 4-Way Divider.....	TLTRQAB4WD.....	21
U		
Uptilt Shelf.....	UTSBKSB(NW)(ND)-08-7.....	23
Uptilt Shelf.....	UTSN(DEGREE)-(NW)-(NH)4.....	23
Uptilt Shelf Wire Divider.....	UTSWD-(NH)(ND)-(TYPE).....	25
Utility Baskets.....	WUB-(NW)(ND)(NH)-(TYPE).....	32
V		
Various Type Display.....	VTD(TYPE)(NL)(ND).....	23
W		
Waterfall Displayers for Slatwall.....	S(TYPE).....	9
Waterfall Displayers for Wire Grid.....	WG(TYPE).....	9
Wing Shelf Sign Holder, 3 Position.....	WSSH3P-(NW)(ND).....	10
Wire Binning Cross Divider.....	MC-(NH)(NW)-10-(OPT).....	26
Wire Binning Divider.....	PMD-(NH)(ND)-1-(OPT).....	26
Wire Binning Front.....	PMF-(NH)(NW)-1-(OPT).....	26
Wire Candy Rack.....	WCANR-(NW).....	30
Wire Candy Shelf.....	WCANS(NW)(ND)-TAG.....	30
Wire Grid Brochure Holder.....	WBH-(NL)-WG.....	34
Wire Grid Peg Hook.....	WGPH-(NL)-(PACK).....	33
Wire Grid Scanner Hook.....	RGS-(NL)-(PACK).....	33
Wire S Hooks.....	ACPH123265.....	29
Wire Snack Shelf.....	WCANSSW(NL)(ND)-(OPT).....	31
Wire Video Shelf.....	MWVSG(NW).....	27
Z		
Z Brackets.....	AC123141(HAND)Z.....	29

Part Number	Part Name	Page Number
A		
ABB-(NW)	Book Basket	27
AC1230(TYPE)(HAND)	Loose OEB Brackets	29
AC123141(HAND)Z	Z Brackets	29
AC125(OPT)Z	Flat S Hooks	29
AC999GBH(FIN1)	Grid Brackets	29
AC999SWB(FIN1)	Slatwall Brackets	29
ACPH123265	Wire S Hooks	29
ACPH123268	Pegboard Hooks	29
ACPM122398	Plastic Tag Molding	28
AOBS-(NW)(ND)	Multi Media Bookshelf	24
AOBSMDP-(ND)	Multi Media Displayer Bookshelf Metal Divider Panel	24
B		
BKSBEF-(ND)-6	Bookshelf End Panel	23
BKSD-(ND)-25	Bookshelf Wire Divider	23
BS01(ND)(NW)	Open End Baskets	28
C		
CBPSW-(NW)(ND)	Classic Pegboard Basket	31
D		
DMT-(NW)-(ND)-(OPT)	Single Tier Magazine Displayer	24
DV02(ND)(NH)	Open End Basket Divider	28
DV050610CM(POSITION)(OPT)	Multi-Purpose Dividers	25
F		
FAB(SIZE)	Slatwall Frame Display	34
FFUS-(NW)(ND)	Flush Front Upper Shelf	7, 22
G		
GHSBABUM(NW)(NH)	Gondola Header Sign, Basic Upright Mounted	10
H		
HR-(NW)	Hang Rod	9
HRB-(NW)	Hang Rod Bracket	9
L		
LSSRA(NW)(ND)-(OPT)	Lumishelf™ Radius LED Shelf Assembly	9
LUQB(B1)(B2)DP(NW)(NH)	Luxe Queuing Slatwall Backs on Two (2) Sides	14
LUQB(B1)SP(NW)(NH)	Luxe Queuing Slatwall Backs on One (1) Side	14
LUQB(OPT)DP(NW)(NH)	Luxe Queuing Hardboard Backs on Two (2) Sides	13
LUQB(OPT)DP(NW)(NH)	Luxe Queuing Pegboard Backs on Two (2) Sides	13
LUQB(TYPE)DP(NW)(NH)	Luxe Queuing Wire Grid Backs with Two (2) Panels Per Section	15
LUQB(TYPE)SP(NW)(NH)	Luxe Queuing Wire Grid Backs with One (1) Panel Per Section	14
LUQB45(BACK1)(BACK2)(OPT)(NW)(NH)	Luxe Queuing Slatwall Back 45°	19
LUQB45(BACK1)(BACK2)DP(NW)(NH)	Luxe Queuing Hardboard Back 45°	20
LUQB45(TYPE)(OPT)(NW)(NH)	Luxe Queuing Wire Grid Back 45°	20
LUQB45MW(NW)(NH)	Luxe Queuing MegaWall™ Back 45°	19
LUQBMWDP(NW)(NH)	Luxe Queuing MegaWall™ Backs on Two (2) Sides	14
LUQFPCR(NW)(OPT)	Luxe Queuing Fixture Post Connector Rail	15
LUQP(NH)(BD)S4	Luxe Queuing Post Slotted on Four (4) Sides	18
LUQP(NH)S2	Luxe Queuing Post Slotted on Two Sides	12
LUQP(NH)S4	Luxe Queuing Post Slotted on Four Sides	12
LUQPAM	Luxe Upright Queuing System Post Accessory Mount	21
LUQRR	Luxe Queuing Retractable Retainer	15
LUQSUS45-10	Luxe 45° Corner Shelf	18
LUXB(TYPE)(NH)(NW)	Luxe Back Panels	6
LUXBLI-BLK	Luxe Backing Locking Insert	15
LUXEFP(TYPE)(NH)(NW)	Luxe End Frame Panel	6
LUXL-(NH)(ND)	Luxe L-Uprights with Leg on One Side	5
LUXP(NH)(OPT)	Luxe Wall Outrigger Upright Only	5
LUXT-(NH)(NDL)(NDR)(OPT)	Luxe T-Uprights with Leg on Both Sides	5
LUXTB-(NW)	Luxe Tie Bar	6
LUXWO-(NH)(ND)	Luxe Wall Outrigger Upright & Bracket	5
LUXWOTB(NH)	Luxe Wall Outrigger Bracket Only	5

Part Number	Part Name	Page Number
M		
MAGHLDRSWM(OPT)	Magazine Holder Slatwall Mount	24
MBWSWB-(NW)(ND)-(TAG)(EDGE)	Bakery Wire Shelf with Welded Brackets	27
MC-(NH)(NW)-10-(OPT)	Wire Binning Cross Divider	26
MSCD(NW)	Metal Shelf Cross Divider	25
MSD-(ND)(NH)	Metal Shelf Divider	25
MWVSG(NW)	Wire Video Shelf	27
P		
PEGB	Peg Basket	31
PH(NL)-PACK	Peg Hook-Single Prong	33
PLSTTSLD(NW)(ND)	Thin Profile Shelf, Light-Duty	8
PMD-(NH)(ND)-1-(OPT)	Wire Binning Divider	26
PMF-(NH)(NW)-1-(OPT)	Wire Binning Front	26
Q		
QSBA4WD	Queuing System, Acrylic Bowl, 4-Way Divider	21
QSBOWL	Queuing System Bowl	21
QSSH(SIZE)	Queuing Systems Sign Holder and Stem	21
R		
RGS-(NL)-(PACK)	Wire Grid Scanner Hook	33
S		
S(TYPE)	Waterfall Displayers for Slatwall	9
SEB	Shelf Extender Basket	34
SEBD	Shelf Extender Basket Displayer	34
SMWDVDS-(NW)	Slatwall Mount Wire DVD Shelf	32
SPH(TYPE)-(NL)-10	Scanner Peg Hook	33
SR-(NW)-(NH)-10	Shelf Retainer	26
SUS-(NW)(ND)	Standard Upper Shelf Flat, 15° or 30° Downslope	22
SUS-(NW)10	Standard Upper Shelf	18
SUSBN(NW)(ND)	Bullnose Upper and Base Shelf	22
SUSBN(NW)(ND)(NP)	Bullnose Upper Shelf	7
SUSMRF(NW)(ND)-(ID)	Standard Upper with Multi Radius Concave Front	8
SUSRF(TYPE)-(NW)(ND)	Standard Upper Shelf with Radius Front	8
SWLHSH-(NL)-(PACK)	Slatwall Scanner Hook	33
SWPH-(NL)-(PACK)	Slatwall Peg Hook	33
SWSH-(NW)(ND)(OPT1)(OPT2)	Slatwall Shelf	30
T		
TLTRASWT(NW)(ND)	Tube Line Shelf with Wood Top	7
TLTROAB4WD	Tube Line T-Rack Queuing Acrylic Bowl, 4-Way Divider	21
U		
UTSBKSB(NW)(ND)-08-7	Upright Shelf	23
UTSN(DEGREE)-(NW)-(NH)4	Upright Shelf	23
UTSWD-(NH)(ND)-(TYPE)	Upright Shelf Wire Divider	25
V		
VTD(TYPE)(NL)(ND)	Various Type Display	23
W		
WBH-(NL)-WG	Wire Grid Brochure Holder	34
WCANR-(NW)	Wire Candy Rack	30
WCANS(NW)(ND)-TAG	Wire Candy Shelf	30
WCANSSW(NL)(ND)-(OPT)	Wire Snack Shelf	31
WDMP-(OPT)	Multi-Purpose Wire Divider	25
WG(TYPE)	Waterfall Displayers for Wire Grid	9
WGPH-(NL)-(PACK)	Wire Grid Peg Hook	33
WSSH3P-(NW)(ND)	Wing Shelf Sign Holder, 3 Position	10
WUB-(NW)(ND)(NH)-(TYPE)	Utility Baskets	32

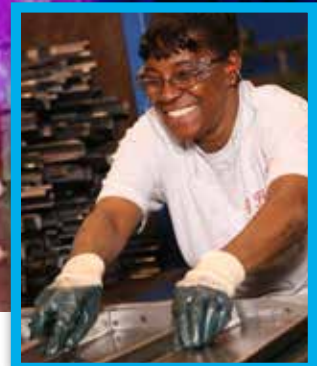


About Madix

For over fifty years, Madix has partnered with retailers and brands to deliver unique, high-quality solutions for merchandising and store design. We are the industry's leading provider of store fixtures, shelving, and accessories, with three manufacturing locations and worldwide warehousing capabilities to better serve clients both international and domestic.

At our core, Madix is a company about people, not numbers. We take pride in responding to our clients' needs on an individual and personalized basis, because we believe that a truly holistic solution is one tailored to a specific business. We'll take time to genuinely understand the challenges you face in your day-to-day store operations, helping you find an answer adapted to your purposes.

Learn more @ www.madixinc.com



Texas 500 Airport Road, Terrell, TX 75160 | 800.776.2349
Alabama 20984 Alabama Hwy. 9, Goodwater, AL 35072 | 800.633.6282